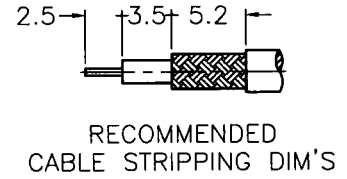
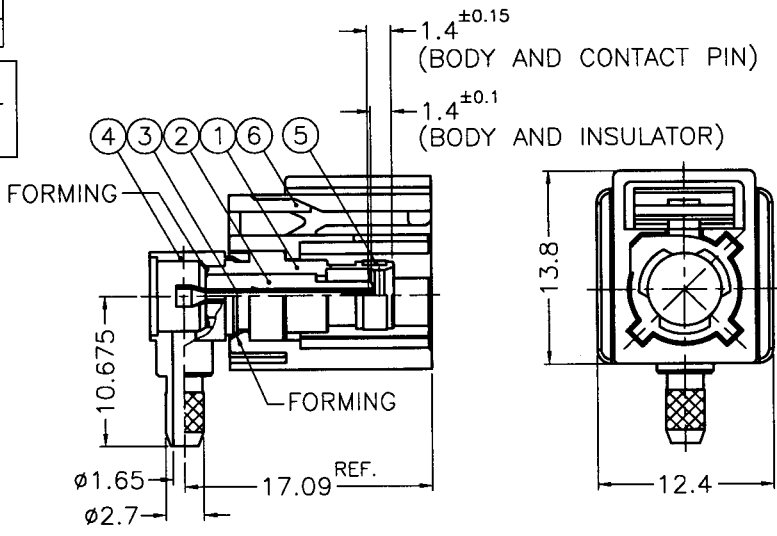
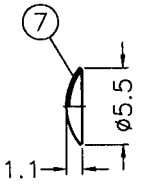


REVISIONS		
ISS	ZONE	DESCRIPTION\PER REQUEST\DATE
A1	B-6	CANCELLED L AND M KEY CODING\N/A\02-13-03'
A2	B-1	NOTE 7 WAS CHANGED\N/A\05-15-03'

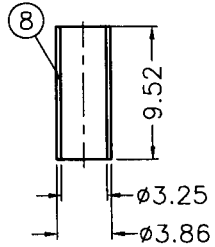
**CONFIGURATION CONTROL:**  
NO CHANGES PERMITTED TO DRAWING WITHOUT  
PPAP QUALIFIED CUSTOMER APPROVAL



1. CRIMPED FERRULE  
HEX CRIMP SIZE .128"
2. CONTACT PIN TO SOLDER

NOTES: FINISH (PLATING THICKNESS IN MICRO-INCHES)

1. BRASS PER QQ-B-626, ALLOY 360, 1/2 H ; JIS H3250 C 3604BD OR EQUIVALENT
2. BERYLLIUM COPPER JIS C1720R-1/4H ; ASTM B-194 OR EQUIVALENT
3. NICKEL PL. 60 MIN. THICK OVER OPTIONAL COPPER STRIKE
4. GOLD PL. 30 MIN. THICK OVER NICKEL PL. 100 MIN. THICK OVER OPTIONAL COPPER STRIKE
5. TEFLON MIL-P-19468 ; ASTM D-1710 OR EQUIVALENT
6. COPPER PER ASTM B-75 ALLOY C12200 OR EQUIVALENT
7. NYLOY66(WITH 33% GLASS FIBER) PER NYTEX COMPOSITES CO., LTD. GRADE MG-0033N-V0 OR EQUIVALENT
8. BRASS PER QQ-B-613, ALLOY 260, H ; JIS H3100 C 2680R-H OR EQUIVALENT
9. ZINC DIECAST PER JIS H5301 ZDC2 OR EQUIVALENT
10. NICKEL PL. 100 MIN. THICK OVER COPPER PL. 300 MIN. THICK



TABLE

KEY CODING	PART NO.	DRAWING NO.	ITEM NO.	LOCK COVER
A	FA1-NARJ-C01-3	FK6112AW-037-NT30G-50	FK6112ADA36NC5F	FKLC30601A
B	FA1-NBRJ-C01-3	FK6112BW-037-NT30G-50	FK6112ADB36NC5F	FKLC30602A
C	FA1-NCRJ-C01-3	FK6112CW-037-NT30G-50	FK6112ADC36NC5F	FKLC30603A
D	FA1-NDRJ-C01-3	FK6112DW-037-NT30G-50	FK6112ADD36NC5F	FKLC30604A
E	FA1-NERJ-C01-3	FK6112EW-037-NT30G-50	FK6112ADE36NC5F	FKLC30605A
F	FA1-NFRJ-C01-3	FK6112FW-037-NT30G-50	FK6112ADF36NC5F	FKLC30606A
G	FA1-NGRJ-C01-3	FK6112GW-037-NT30G-50	FK6112ADG36NC5F	FKLC30607A
H	FA1-NHRJ-C01-3	FK6112HW-037-NT30G-50	FK6112ADH36NC5F	FKLC30608A
I	FA1-NIRJ-C01-3	FK6112IW-037-NT30G-50	FK6112ADI36NC5F	FKLC30609A
K	FA1-NKRJ-C01-3	FK6112KW-037-NT30G-50	FK6112ADK36NC5F	FKLC30610A
Z	FA1-NZRJ-C01-3	FK6112ZW-037-NT30G-50	FK6112ADZ36NC5F	FKLC30611A

NO.	DESCRIPTION	MATERIAL	FINISH	Q'TY	DRAWING NO.	SCALE	2/1	ISSUE	A2	FILE NO.F:\DWG\FK\6112XX\037\50\NT30G-A1-PPAP	
8	FERRULE			1	FKFR00101A					PART NO. <b>FA1-NXRJ-C01-3</b> APPROVED <b>MARK CHU</b> DATE 05-15-03' CHECKED <b>COASE WANG</b> DATE 05-15-03' DRAWN <b>LILY CHIU</b> DATE 05-15-03' <b>Amphenol</b> Danbury,CT,USA-Tainan,Taiwan-Shenzhen,China TITLE <b>FAKRA R/A JACK</b> (FOR RG-174/U, 188A/U, 316/U CABLE) DRAWING NO. <b>FK6112XX-037-NT30G-50</b> ITEM NO. <b>FK6112ADX36NC5F</b>	
7	PLATE			1	FKPA00102A						
6	LOCK COVER			1	SEE TABLE						
5	RETAINER RING		NATURAL	1	FKRR00101A						
4	HOUSING			1	FKHS00801A						
3	CONTACT PIN			1	FKCP01502A						
2	INSULATOR		NATURAL	1	FKNS01203A						
1	BODY			1	FKBD02301A						
DIMENSIONS ARE IN MILLIMETERS											
UNLESS OTHERWISE SPECIFIED TOLERANCES											
0.5-6 = ±0.2											
6-30 = ±0.4											
30-120 = ±0.6											
120-315 = ±1											
315-1000 = ±1.6											
1000-2000 = ±2.4											