

NOTES:

1. MATERIALS AND FINISHES:

- FERRULE - COPPER, GOLD PLATING
- BODY - BeCu, GOLD PLATING
- HOUSING - BRASS, GOLD PLATING
- CONTACT - BRASS, GOLD PLATING
- INSULATOR - PTFE & DELRIN, NATURAL

2. ELECTRICAL:

- A. IMPEDANCE: 50 OHM, NOMINAL
- B. FREQUENCY RANGE: 0-6 GHz
- C. VSWR (RETURN LOSS): 1.3 (-17.692 dB) MAX. @ 0-2.5 GHZ
- D. D.W.V: 1000 VRMS, MIN.

3. MECHANICAL:

- A. DURABILITY: 500 CYCLES MIN.
- B. TEMPERATURE RANGE: -40°C TO +85°C

4. CRIMPED FERRULE HEX CRIMP SIZE .128"

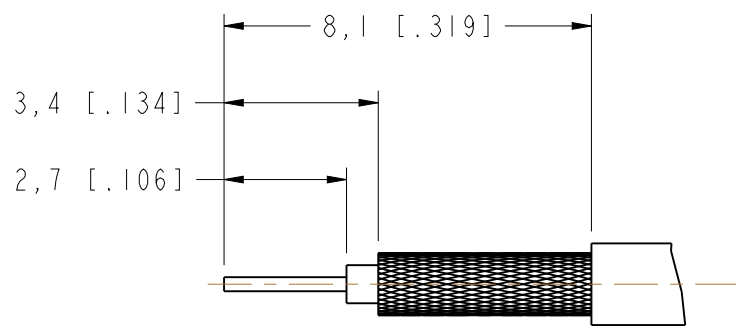
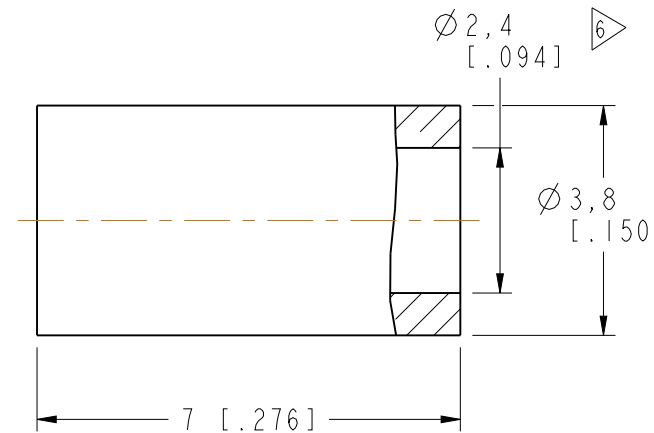
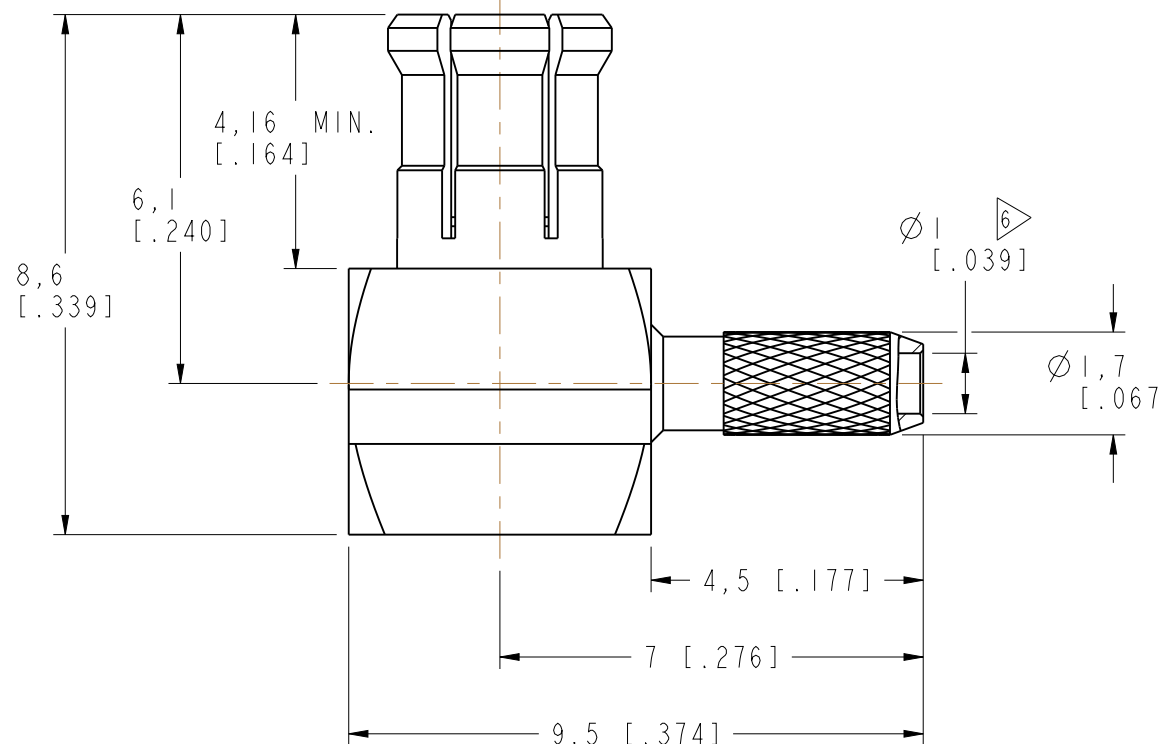
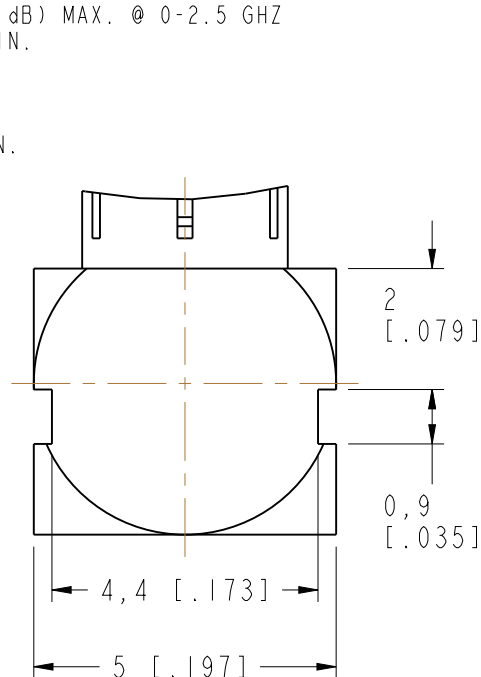
5. CONTACT PIN TO SOLDER

6 SHOWS CABLE ENTRY DIMENSIONS.

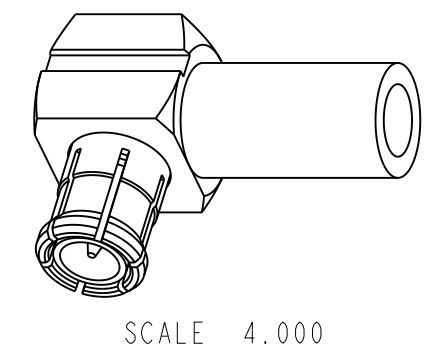
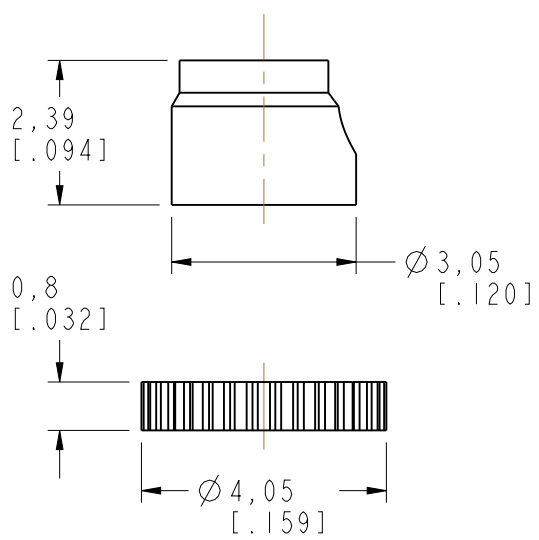
THIRD ANGLE PROJ.

REVISIONS

REV	DESCRIPTION	DATE	ECO	APPR
A	MODIFY FERRULE LENGTH	12-Jan-02	-----	GRS
B	MODIFY BODY SLOT DIMENSIONS AND BARREL LENGTH	06-Jan-08	-----	GRS
C	SYNC THE DRAWINGS, UPDATE DRAWING FORMAT	07-May-15	50466	BCG



RECOMMENDED CABLE STRIPPING DIM'S



SCALE 4.000

CUSTOMER OUTLINE DRAWING
ALL OTHER SHEETS ARE FOR INTERNAL USE ONLY

<p>UNLESS OTHERWISE SPECIFIED, DIMENSIONS ARE IN METRIC AND TOLERANCES ARE: <0.5mm ± 0.05mm 0.5 - 6mm ± 0.1mm 6 - 30mm ± 0.2mm 30 - 120mm ± 0.3mm ANGLES ± 1°</p> <p>NOTICE - These drawings, specifications, or other data (1) are, and remain the property of Amphenol corp. (2) must be returned upon request; and (3) are confidential and not to be disclosed to any person other than those to whom they are given by Amphenol Corp. the furnishing of these drawings, specifications, or other data by Amphenol Corp., or to any other person to anyone for any purpose is not to be regarded by implication or otherwise in any manner licensing, granting rights to permitting such holder or any other person to manufacture, use or sell any product, process or design, patented or otherwise, that may in any way be related to or disclosed by said drawings, specifications, or other data.</p>	MATERIAL	DRAWN M. ZHANG	DATE 07-May-15	TITLE MCX R/A CRIMP PLUG (FOR RG-178B/U, 196A/U CABLE)		Amphenol Connex	
	REFERENCE MCX1112A1-007-3GT30G-50	ENGINEER S. DUAN	DATE 07-May-15	SCALE: 8.0:1.0 SHEET 3 OF 3		DRAWING NO.	
CONFIGURATION LEVEL: In Work	APPROVED B.C. GLEISSNER	DATE 07-May-15	DWG SIZE B		REV C		ITEM NO.
FINISH	CAD FILE					PART NO. 252135	