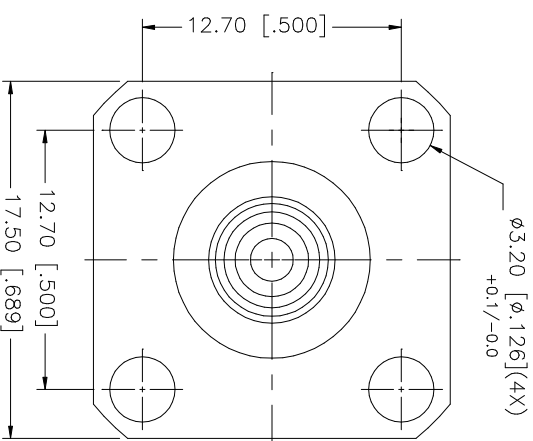
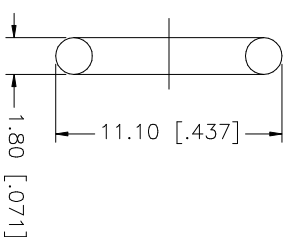
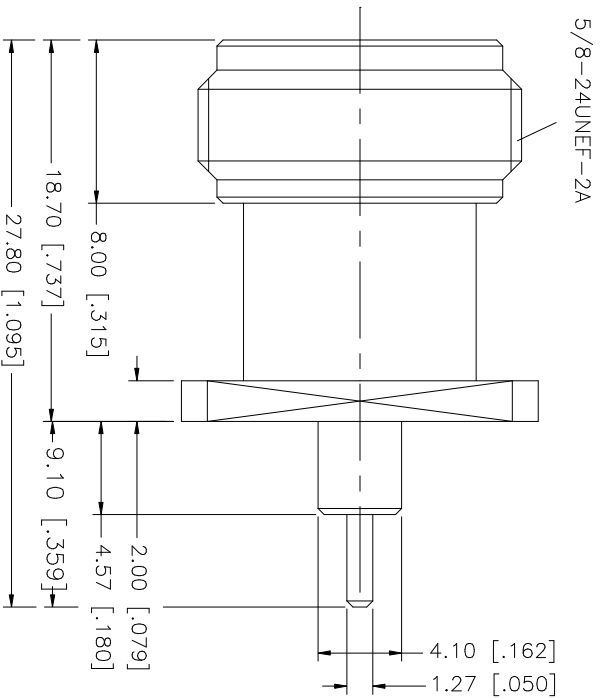


REV.	DATE	DESCRIPTION
A	03/06/03	UPDATE DRAWING FORMAT



NO.	DESCRIPTION	MATERIAL	FINISH	QTY	UNLESS OTHERWISE SPECIFIED DIMENSIONS ARE IN MILLIMETERS; DIMENSIONS IN [] ARE IN INCHES AND FOR CUSTOMER REFERENCE ONLY. TOLERANCES FOR MILLIMETERS ARE:	APPROVALS	DATE	PART DESCRIPTION		
8					UNLESS OTHERWISE SPECIFIED DIMENSIONS ARE IN MILLIMETERS; DIMENSIONS IN [] ARE IN INCHES AND FOR CUSTOMER REFERENCE ONLY. TOLERANCES FOR MILLIMETERS ARE: 0.5 - 8mm ± 0.20mm 8 - 30mm ± 0.40mm 30 - 120mm ± 0.50mm UNLESS OTHERWISE SPECIFIED DIMENSIONS FOR INCHES ARE: .020 - .315 = ± 0.007" .315 - 1.180 = ± 0.015" 1.180 - 4.1724 = ± 0.020"			Amphenol Connex N PANEL RECEPTACLE JACK (EXTENDED TEFLON .180"-.359")		
7				DRAWN		G.R.S.	03/06/03			
6				CHECKED						
5	GASKET	SILICONE	RED	1		ISSUED				
4	RING	BRASS	NEXCOTE	1		SHEET	1 OF 1			
3	CONTACT PIN	PHOS. BRONZE	GOLD	1						
2	INSULATOR	TEFLON	NATURAL	1						
1	BODY	BRASS	NEXCOTE	1						
	DESCRIPTION	MATERIAL	FINISH	QTY	DO NOT SCALE DRAWING	CAD FILE C:/172/172254.DWG	DWG. NO. 172254.DWG	REV. A	SIZE A	SCALE NA