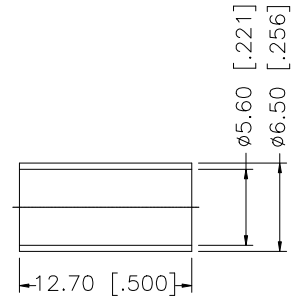
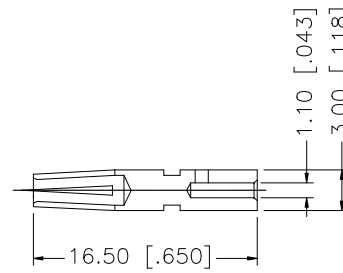
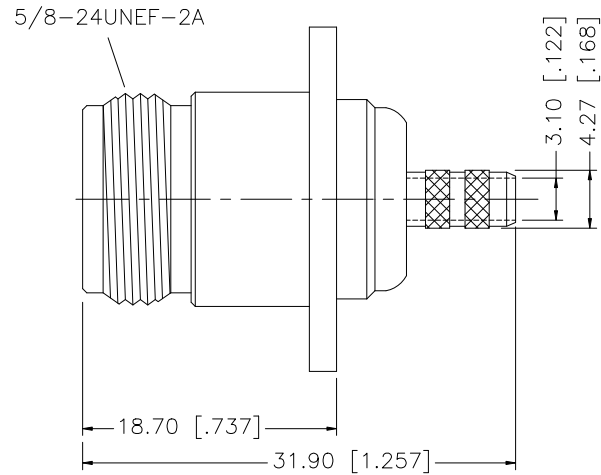
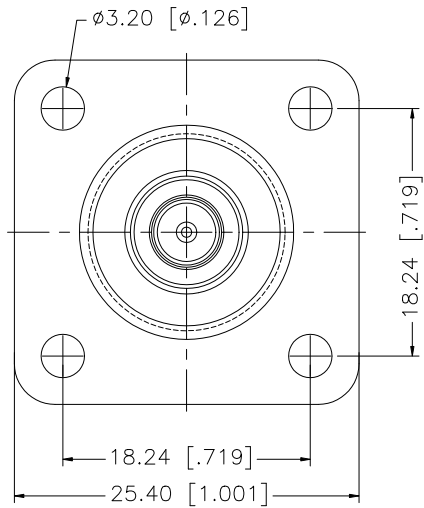
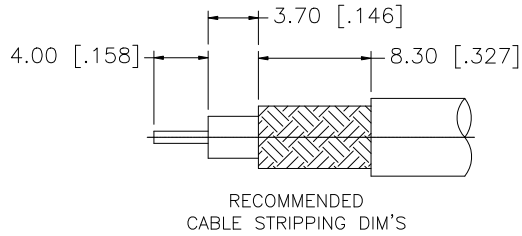


| REV. | DATE | DESCRIPTION |
|------|----------|--|
| A | 02/09/05 | MODIFY PLATING SPEC/ UPDATE DRAWING FORMAT |
| B | 07/12/07 | REVISE CRIMP NOTES |



NOTE:

1. CRIMPED FERRULE HEX CRIMP SIZE .213"
2. CRIMPED CONTACT PIN HEX CRIMP SIZE .100"

| | | | | UNLESS OTHERWISE SPECIFIED DIMENSIONS ARE IN MILLIMETERS. DIMENSIONS IN [] ARE IN INCHES AND FOR CUSTOMER REFERENCE ONLY. | APPROVALS | DATE | Amphenol Connex | | | |
|-------------|-------------|--------------|---------|--|-------------------------------|--------|------------------------|---------------------------|--------|----------|
| 8 | | | | | DRAWN | G.R.S. | | | | 07/12/07 |
| 7 | | | | | CHECKED | | | PART NO. 172175 | | |
| 6 | | | | | ISSUED | | | | | |
| 5 | | | | | SHEET | 1 OF 1 | | REV. B | SIZE A | SCALE NA |
| 4 | FERRULE | COPPER | NEXCOTE | 1 | CAD FILE C:/172/172175.DWG | | | | | |
| 3 | CONTACT PIN | PHOS. BRONZE | GOLD | 1 | | | | | | |
| 2 | INSULATOR | TEFLON | NATURAL | 1 | DO NOT SCALE DRAWING | | | | | |
| 1 | BODY | BRASS | NEXCOTE | 1 | | | | | | |
| DESCRIPTION | | | | MATERIAL | FINISH | QTY | | | | |