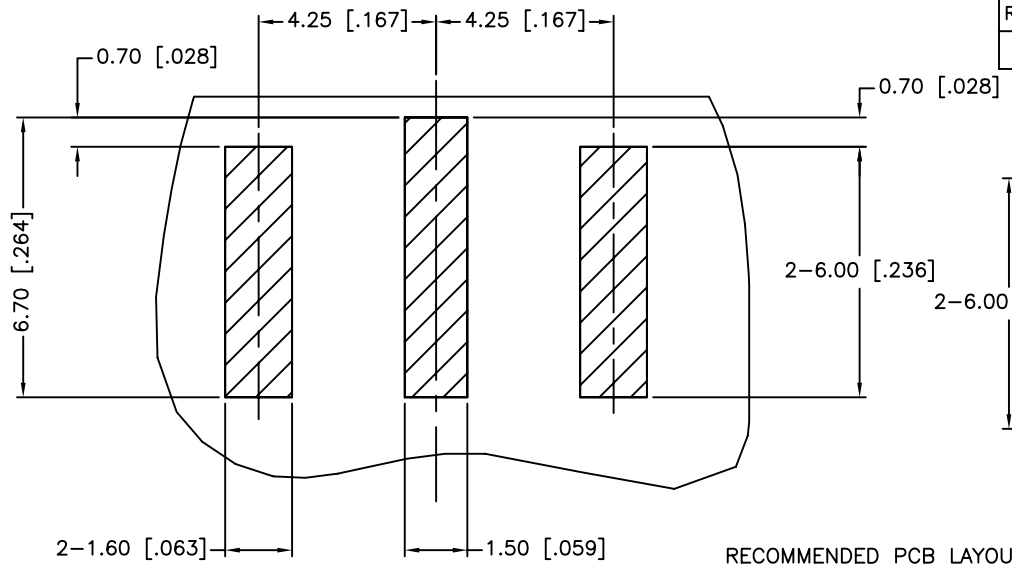
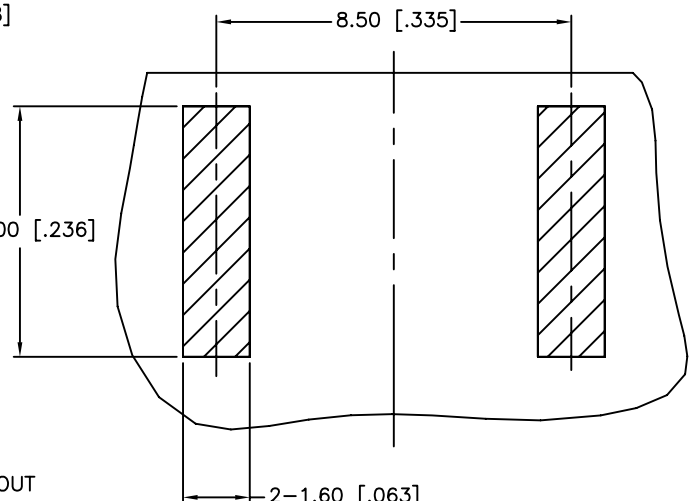


| REV. | DATE     | ECR NO. | DESCRIPTION     |
|------|----------|---------|-----------------|
| NC   | 10/25/10 | XXXXXX  | INITIAL RELEASE |

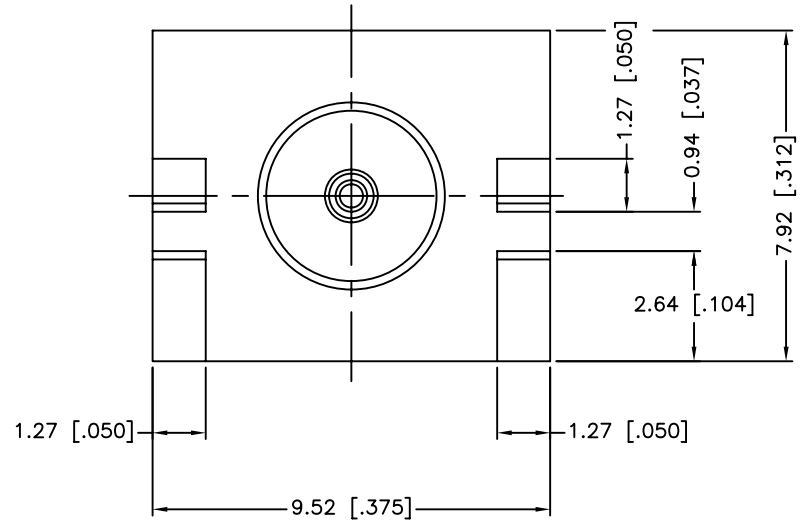
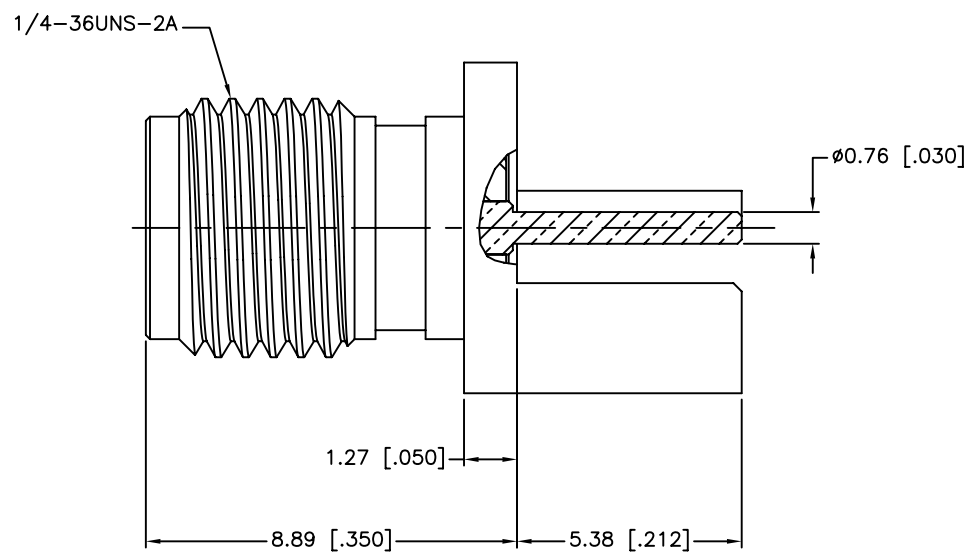


TOP VIEW

RECOMMENDED PCB LAYOUT



BOTTOM VIEW



| 3           | CONTACT PIN | BER. COPPER | GOLD    | 1 |
|-------------|-------------|-------------|---------|---|
| 2           | INSULATOR   | PTFE        | NATURAL | 1 |
| 1           | BODY        | BRASS       | GOLD    | 1 |
| DESCRIPTION | MATERIAL    | FINISH      | QTY     |   |

UNLESS OTHERWISE SPECIFIED DIMENSIONS ARE IN MILLIMETERS. DIMENSIONS IN [ ] ARE IN INCHES AND FOR CUSTOMER REFERENCE ONLY.

UNLESS OTHERWISE SPECIFIED TOLERANCES FOR MILLIMETERS ARE:  
0.5 - 8mm ± 0.20mm  
8 - 30mm ± 0.40mm  
30 - 120mm ± 0.50mm

UNLESS OTHERWISE SPECIFIED TOLERANCES FOR INCHES ARE:  
.020 - .315 = ± 0.007"  
.315 - 1.180 = ± 0.015"  
1.180 - 4.724 = ± 0.020"

DO NOT SCALE DRAWING

| APPROVALS                     | DATE     |
|-------------------------------|----------|
| DRAWN M.ZHANG                 | 10/25/10 |
| CHECKED                       |          |
| ISSUED                        |          |
| SHEET 1 OF 1                  |          |
| CAD FILE C:/CONNEX/132415.DWG |          |

**Amphenol Connex**

PART DESCRIPTION  
**SMA END LAUNCH RECEPT. JACK  
(.032" BOARD THICKNESS)**

PART NO.  
**132415**

DWG. NO. 132415.DWG    REV. NC    SIZE A    SCALE NA