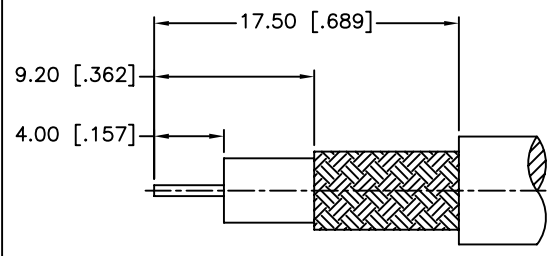
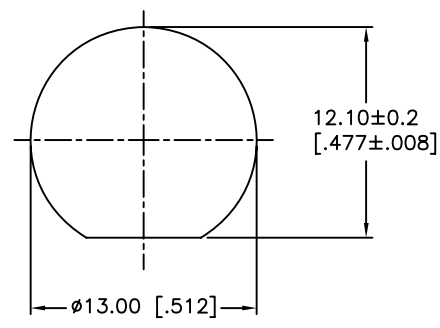


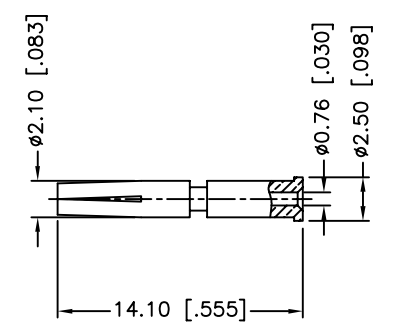
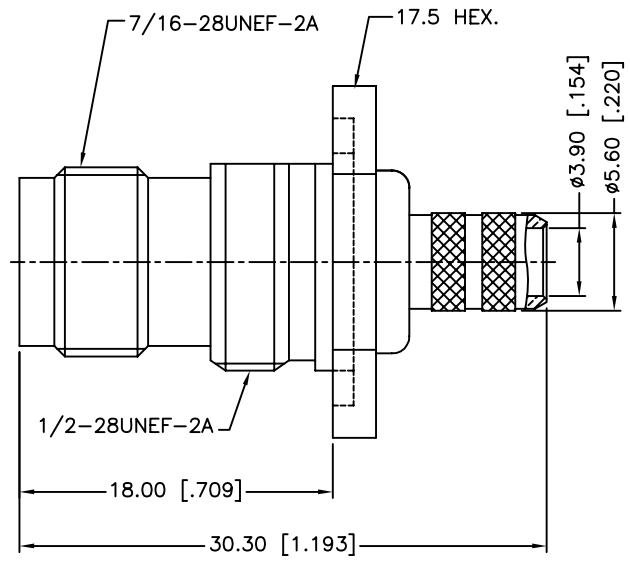
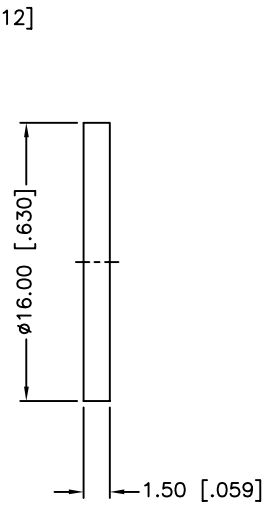
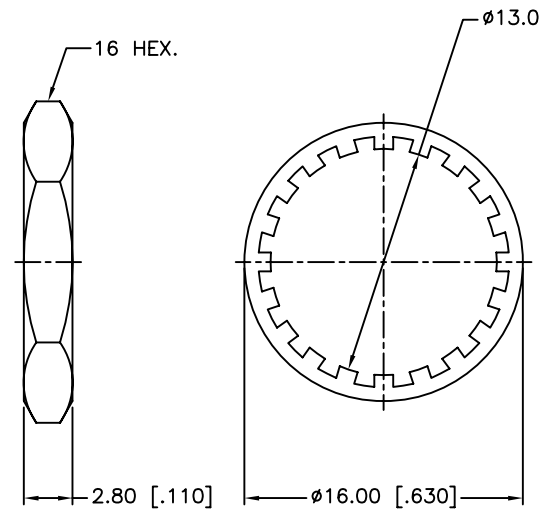
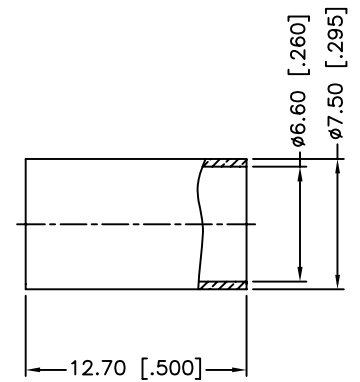
| REV. | DATE     | ECR NO. | DESCRIPTION     |
|------|----------|---------|-----------------|
| NC   | 06/17/10 | XXXXXX  | INITIAL RELEASE |



RECOMMENDED  
CABLE STRIPPING DIM'S



RECOMMENDED  
MOUNTING HOLE



1. CRIMPED FERRULE  
HEX CRIMP SIZE .255"
2. CRIMPED CONTACT PIN  
HEX CRIMP SIZE .068"
3. MAX. PANEL THICKNESS=3.5 mm

| DESCRIPTION   | MATERIAL        | FINISH  | QTY |
|---------------|-----------------|---------|-----|
| 9 FERRULE     | BRASS           | NICKEL  | 1   |
| 8 CONTACT PIN | PHOSPHOR BRONZE | GOLD    | 1   |
| 7 HUT HEX     | BRASS           | NICKEL  | 1   |
| 6 LOCK WASHER | BRASS           | NICKEL  | 1   |
| 5 GASKET      | RUBBER          | RED     | 1   |
| 4 BARREL      | BRASS           | NICKEL  | 1   |
| 3 INSULATOR   | PTFE            | NATURAL | 1   |
| 2 BODY        | BRASS           | NICKEL  | 1   |
| 1 HOUSING     | BRASS           | NICKEL  | 1   |

UNLESS OTHERWISE SPECIFIED DIMENSIONS ARE IN MILLIMETERS. DIMENSIONS IN [ ] ARE IN INCHES AND FOR CUSTOMER REFERENCE ONLY.

UNLESS OTHERWISE SPECIFIED TOLERANCES FOR MILLIMETERS ARE:  
0.5 - 8mm ± 0.20mm  
8 - 30mm ± 0.40mm  
30 - 120mm ± 0.50mm

UNLESS OTHERWISE SPECIFIED TOLERANCES FOR INCHES ARE:  
.020 - .315 = ± 0.007"  
.315 - 1.180 = ± 0.015"  
1.180 - 4.724 = ± 0.020"

DO NOT SCALE DRAWING

| APPROVALS     | DATE                 |
|---------------|----------------------|
| DRAWN M.ZHANG | 06/17/10             |
| CHECKED       |                      |
| ISSUED        |                      |
| SHEET 1 OF 1  |                      |
| CAD FILE      | C:/CONNEX/122163.DWG |

**Amphenol Connex**

PART DESCRIPTION  
**TNC BULKHEAD CRIMP JACK - 75 OHM  
(FOR RG-59/U CABLE)**

PART NO.  
**122163**

DWG. NO. 122163.DWG    REV. NC    SIZE A    SCALE NA