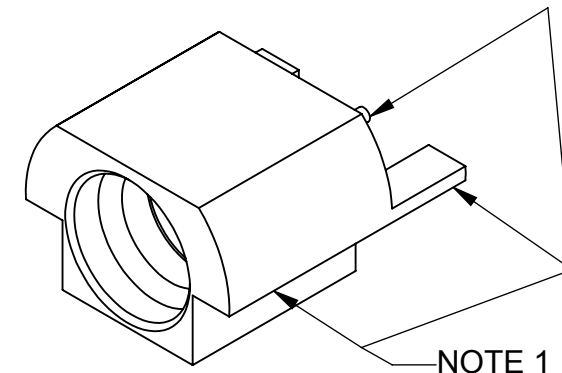
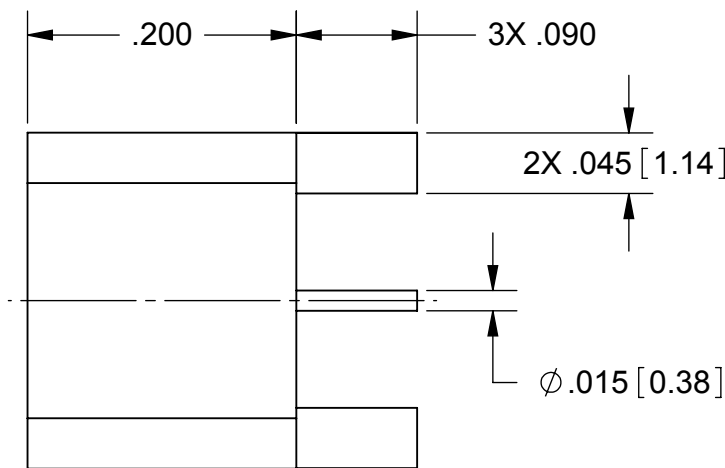
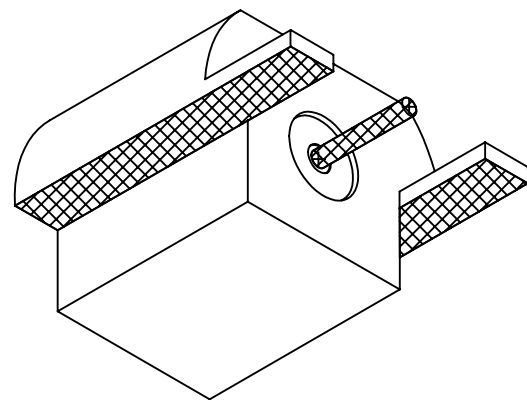
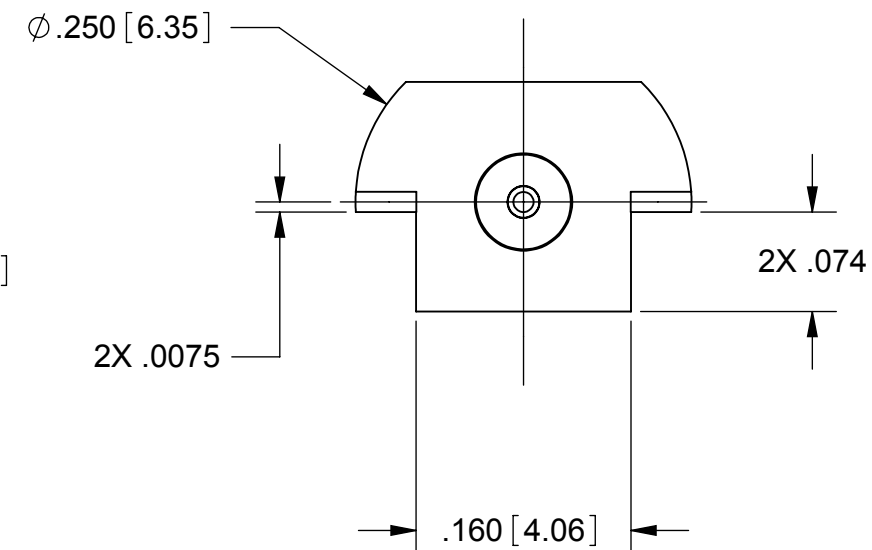
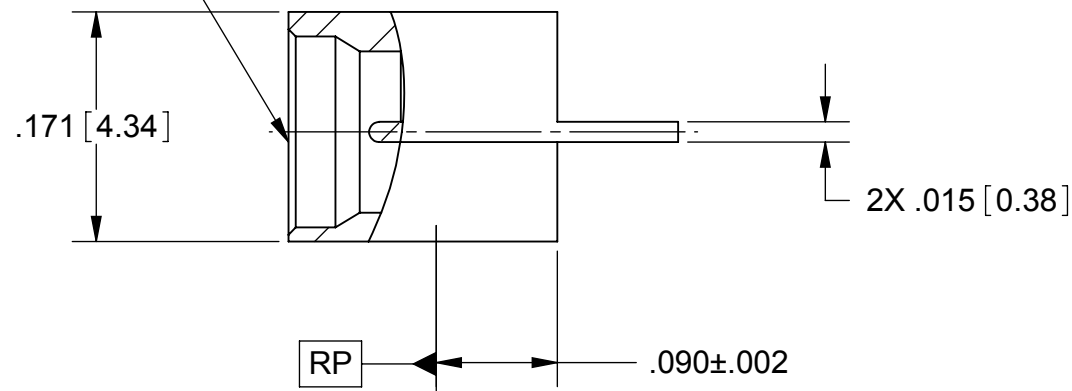


| REVISION HISTORY |             |       |          |
|------------------|-------------|-------|----------|
| REV              | DESCRIPTION | DATE  | APPROVED |
| -                | DCN 42283   | 04/16 | STW      |
|                  |             |       |          |



INTERFACE PER MIL-STD-348 SEE TABLE



**MATERIAL:**  
**BODY:** STAINLESS STEEL PER AMS-5640, ALLOY No. UNS S30300, TYPE 1  
**CONTACT:** BERYLLIUM COPPER PER ASTM B196, ALLOY No. UNS C17300, TD04  
**INSULATOR:** PTFE PER ASTM D1710, TYPE I, GRADE 1, CLASS B  
**FINISH:**  
**BODY & CONTACT:** GOLD PER ASTM B488, TYPE II, CODE C CLASS 1.27 OVER NICKEL PER AMS-QQ-N-290

**PERFORMANCE:**  
**IMPEDANCE:** 50 OHMS  
**FREQ. RANGE:** DC TO 18.0 GHz  
**INSUL. RES.:** 5000 MEGOHMS, MIN.

- NOTES:**
- CENTER PIN, POSTS, AND CONNECTOR PCB MOUNT AREA TO BE PRE-TINNED USING Sn96 SOLDER.
  - ALL DIMENSIONS APPLY PRIOR TO PRE-TINNING.

| PART NUMBER   | INTERFACE      |
|---------------|----------------|
| 1211-66137-TD | FULL DETENT    |
| 1211-66138-TD | LIMITED DETENT |
| 1211-66139-TD | SMOOTH BORE    |

|   |   |   |  |
|---|---|---|--|
| MATERIAL: SEE NOTES   | DIMENSIONS ARE IN INCHES TOLERANCES:<br>FRACTIONAL: $\pm 1/64$ ANGULAR: X° $\pm 1'0''$<br>X°X' $\pm 15''$ | UNLESS OTHERWISE SPECIFIED<br>1) ALL DIMENSIONS ARE IN INCHES (MILLIMETERS)<br>2) ALL DIMENSIONS ARE AFTER PLATING.<br>3) BREAK CORNERS & EDGES .005 R. MAX.<br>4) CHAM. 1ST & LAST THREADS.<br>5) SURFACE ROUGHNESS 63-MIL-STD-10.<br>6) DIA.'S ON COMMON CENTERS TO BE CONCENTRIC WITHIN .005 T.I.R.<br>7) REMOVE ALL BURRS | <b>SV Microwave, Inc.</b><br>2400 Centrepark West Drive, Suite 100<br>West Palm Beach, FL 33409<br>TITLE:<br><b>SMP MALE<br/>                 PCB EDGE MOUNT</b> |
| FINISH: SEE NOTES   | DECIMAL: X $\pm .030$<br>.XX $\pm .010$<br>.XXX $\pm .005$  | INTERPRET DIMENSIONS AND TOLERANCES PER ASME Y14.5M - 1994  |  |
| SURFACE AREA: N/A   | THIRD ANGLE PROJECTION  | DRAWN: MAL 04/26/16   | SIZE: B CAGE CODE: 95077 DWG. NO.: 1211-66137-66139-TD   |
| PROPRIETARY<br>THE INFORMATION CONTAINED IN THIS DRAWING IS THE SOLE PROPERTY OF SV MICROWAVE, INC. ANY REPRODUCTION IN PART OR AS A WHOLE WITHOUT THE WRITTEN PERMISSION OF SV MICROWAVE, INC IS PROHIBITED. |   | CHECKED: STW 04/26/16   | SCALE: 16:1  |
|   |   | APPROVED: STW 04/26/16  | SHEET 1 OF 1   |