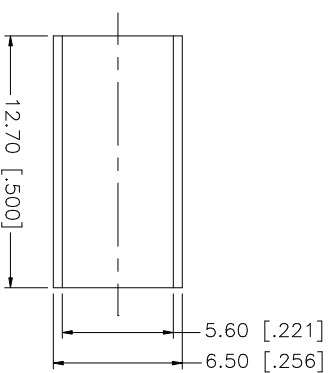
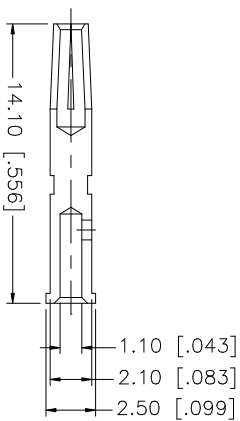
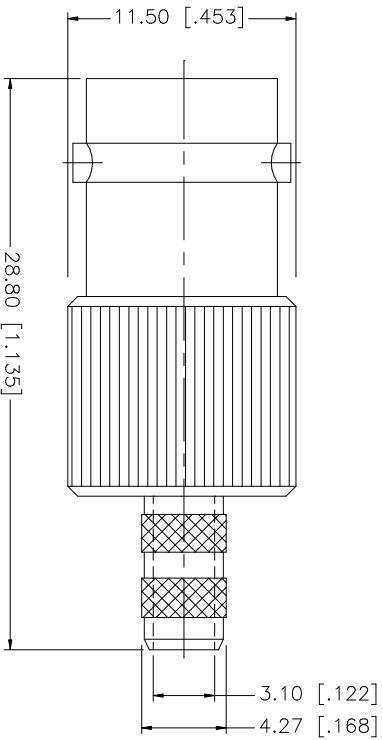
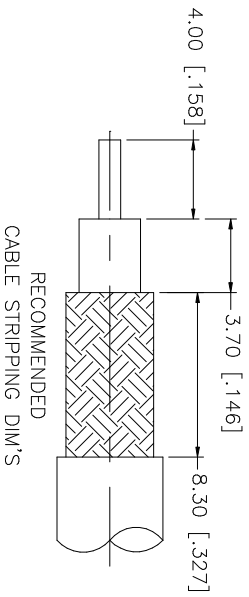


REV.	DATE	DESCRIPTION
NC	07/31/05	INITIAL RELEASE
A	10/30/05	MODIFY FERRULE DIMENSIONS, ADD CABLE DESCRIPTION.



NOTE:

1. CRIMPED FERRULE  
HEX CRIMP SIZE .213"
2. CRIMPED CONTACT PIN  
HEX CRIMP SIZE .068"

**Amphenol** **Comnex**

PART DESCRIPTION  
BNC CRIMP JACK  
(FOR RG-223/U, 142/U, 402/U CABLE)

PART NO. 112513

QTY	FINISH	MATERIAL	DESCRIPTION
1	NICKEL	COPPER	FERRULE
1	GOLD	PHOS. BRONZE	CONTACT PIN
1	NATURAL	DELRIN	INSULATOR
1	NICKEL	BRASS	HOUSING/BODY

DATE	APPROVALS
10/30/05	G.R.S.
	CHECKED
	ISSUED
	SHEET 1 OF 1

DATE	DO NOT SCALE DRAWING	QTY	FINISH	MATERIAL	DESCRIPTION
10/30/05	DO NOT SCALE DRAWING	1	NICKEL	BRASS	HOUSING/BODY
10/30/05	DO NOT SCALE DRAWING	1	NATURAL	DELRIN	INSULATOR
10/30/05	DO NOT SCALE DRAWING	1	GOLD	PHOS. BRONZE	CONTACT PIN
10/30/05	DO NOT SCALE DRAWING	1	NICKEL	COPPER	FERRULE

DATE	SCALE	SIZE	REV.	DWG. NO.	CAD FILE
10/30/05	NA	A	A	112513.DWG	C:/112/112513.DWG