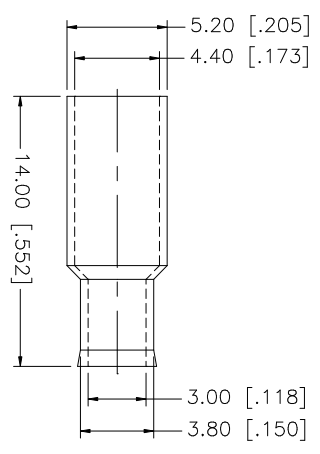
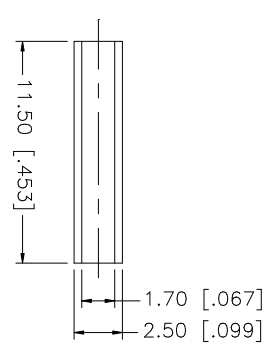
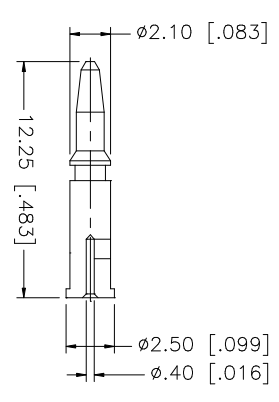
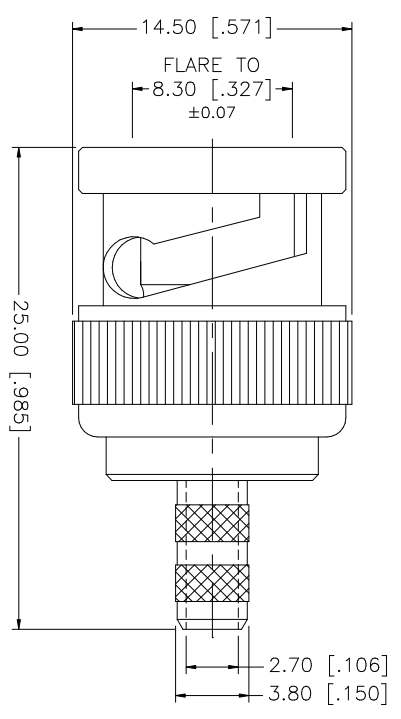
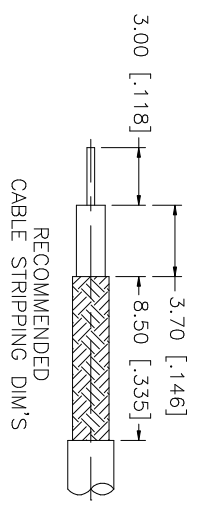


REV.	DATE	DESCRIPTION
A	02/28/02	MODIFY CONTACT PIN AND BODY LENGTH
B	04/04/03	UPDATE DRAWING FORMAT



- CRIMP NOTES:
1. CRIMPED FERRULE
HEX CRIMP SIZE .178"
 2. CRIMPED CONTACT PIN
HEX CRIMP SIZE .068"

NO.	DESCRIPTION	MATERIAL	FINISH	QTY	UNLESS OTHERWISE SPECIFIED DIMENSIONS ARE IN MILLIMETERS. DIMENSIONS IN [] ARE IN INCHES AND FOR CUSTOMER REFERENCE ONLY. TOLERANCES FOR MILLIMETERS ARE: 0.5 - 8mm ± 0.20mm 8 - 30mm ± 0.40mm 30 - 120mm ± 0.50mm UNLESS OTHERWISE SPECIFIED TOLERANCES FOR INCHES ARE: .020 - .315 = ± 0.007" .315 - 1.180 = ± 0.015" 1.180 - 4.724 = ± 0.020"	DO NOT SCALE DRAWING	CAD FILE	APPROVALS	DATE	DWG. NO.	REV.	SIZE	SCALE	
8														
7														
6	FERRULE	COPPER	NICKEL	1										
4	SLEEVE	DELRIN	NATURAL	1										
3	CONTACT PIN	BRASS	GOLD	1										
2	INSULATOR	DELRIN	NATURAL	1										
1	SHELL/BODY	BRASS	NICKEL	1										
<p style="text-align: center;">Amphenol Connex</p> <p style="text-align: center;">BNC CRIMP PLUG - 75 ohms (RG 179/U, 187/U CABLE)</p>														
<p style="text-align: center;">PART NO. 112133</p>														
<p style="text-align: center;">DWG. NO. 112133.DWG</p>														
<p style="text-align: center;">REV. B</p>														
<p style="text-align: center;">SIZE A</p>														
<p style="text-align: center;">SCALE NA</p>														