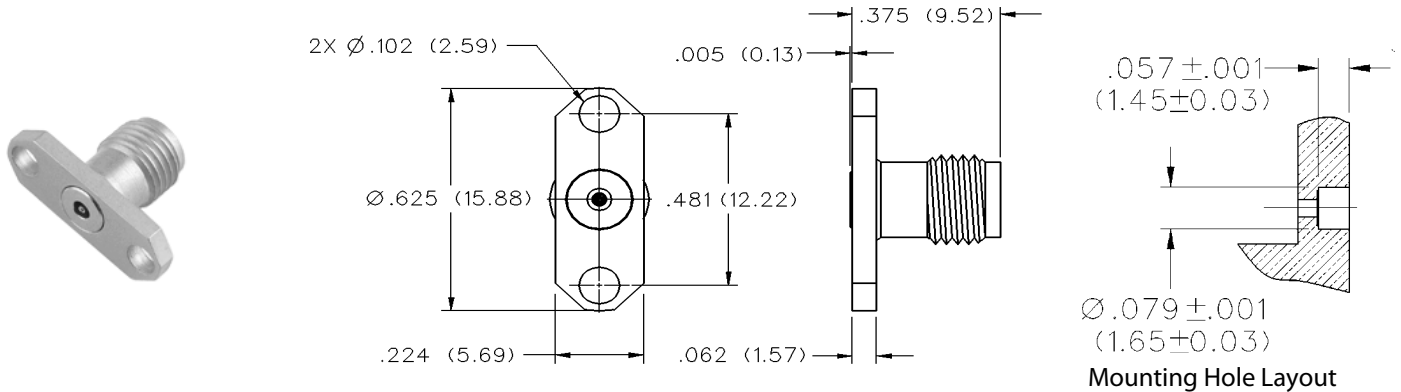


# SMK - 50 Ohm Connectors (2.92mm)

INCHES (MILLIMETERS) • CUSTOMER DRAWINGS AVAILABLE UPON REQUEST



## 2-Hole Flange Mount Jack Receptacle



ACCEPTS PIN SIZE	GOLD PLATED	PASSIVATED
.0120 +/- .0005 (0.305 +/- .013)	145-0701-601	145-0701-602

### MATERIAL SPECIFICATIONS

Bodies: Stainless steel per QQ-B-626, gold plated\* per MIL-G-45204  
 .00005" min. or passivated per MIL-F-14072 B (EL) 300

Contacts:

Female - beryllium copper per QQ-C-530, gold plated per MIL-G-45204  
 .00005" min.

Contact Support Beads: PTFE fluorocarbon per ASTM D 1710 and  
 ASTM D 1457 or modified PPE resin

Seal Rings: Silicone rubber per ZZ-R-765

\* All gold plated parts include a .00005" min. nickel underplate barrier layer.

### MECHANICAL RATINGS

Engagement Design: MIL-STD-348, Series SMK (2.92mm)

Engagement/Disengagement Force: 2 inch-pounds maximum

Mating Torque: 7 to 10 inch-pounds

Coupling Proof Torque: 15 inch-pounds minimum

Coupling Nut Retention: 60 pounds minimum

Contact Retention: 6 lbs. minimum axial force (captivated contacts)

Cable Retention: Axial Force\*(lbs) Torque (in-oz)

.086 semi-rigid .....30 16

.141 semi-rigid .....60 55

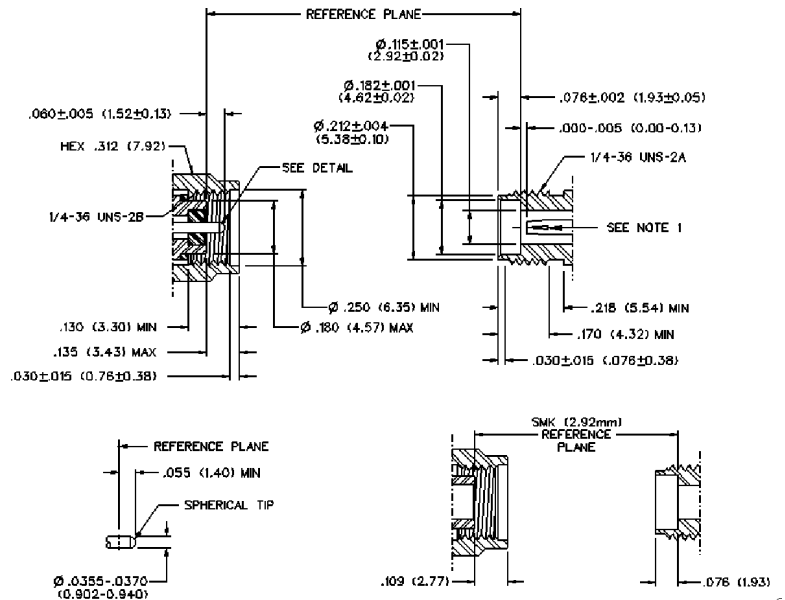
\*Or cable breaking strength whichever is less.

Durability: 500 cycles minimum

### Notes:

1. ID of contact shall meet VSWR and connectivity requirements when mated with dia. .0355-.0365 male pin.

### Mating Engagement for SMK (2.92mm) Series per MIL-STD-348



# SMK - 50 Ohm Connectors (2.92mm)

INCHES (MILLIMETERS) • CUSTOMER DRAWINGS AVAILABLE UPON REQUEST



## ELECTRICAL RATINGS

Impedance: 50 ohms  
 Frequency Range: 0-40 GHz  
 VSWR: (f = GHz)  
 Semi-rigid straight cabled connectors and adapters ..... 1.20 Max  
 Field replaceable ( see typical return loss graph) ..... N/A

Working Voltage: (Vrms maximum)  
**Connectors for Cable Type** **Sea Level** **70K Feet**  
 .086 semi-rigid and field replaceable ..... 335 85  
 .141 semi-rigid and adapters ..... 500 125

Dielectric Withstanding Voltage: (VRMS minimum at sea level)  
 .086 semi-rigid and field replaceable ..... 1000  
 .141 semi-rigid and adapters ..... 1500

Corona Level: (Volts minimum at 70,000 feet)  
 .086 semi-rigid and field replaceable ..... 250  
 .141 semi-rigid and adapters ..... 375

Insertion Loss: (dB maximum)  
 Adapters ..... 0.06 f(GHz), tested at 6 GHz  
 Straight semi-rigid cable connectors ..... 0.03 f(GHz), tested at 10 GHz

Insulation Resistance: 5000 megohms minimum

Contact Resistance: (milliohms maximum) **Initial** **After Environmental**  
 Center contact straight cabled connectors ... 3.0\* 4.0  
 Center contact adapters ..... 4.0 6.0  
 Field replaceable connectors ..... 6.0 8.0  
 Outer contact (all connectors) ..... 2.0 N/A  
 Body to cable (gold plated connectors) ..... 0.5 N/A  
 Body to cable (passivated connectors) ..... 5.0 N/A

RF Leakage: (dB minimum, tested at 2.5 GHz) ..... -90dB  
 RF High Potential Withstanding Voltage: (Vrms minimum, tested at 4 and 7 MHz) =  
 .086 semi-rigid and field replaceable ..... 670  
 .141 semi-rigid and adapters ..... 1000

## ENVIRONMENTAL RATINGS

(Meets or exceeds the applicable paragraph of MIL-C-39012)

Temperature Range: -65 °C to + 165 °C  
 Thermal Shock: MIL-STD-202, Method 107, Condition B  
 Corrosion: MIL-STD-202, Method 101, Condition B  
 Shock: MIL-STD-202, Method 213, Condition I  
 Vibration: MIL-STD-202, Method 204, Condition D  
 Moisture Resistance: MIL-STD-202, Method 106

## FIELD REPLACEABLE APPLICATION NOTES

The field replaceable connectors manufactured by Johnson Components are easy to install and replace. The hermetic seal is mounted into the circuit module wall and the connector can be removed and replaced without destroying the hermeticity of the circuit housing.

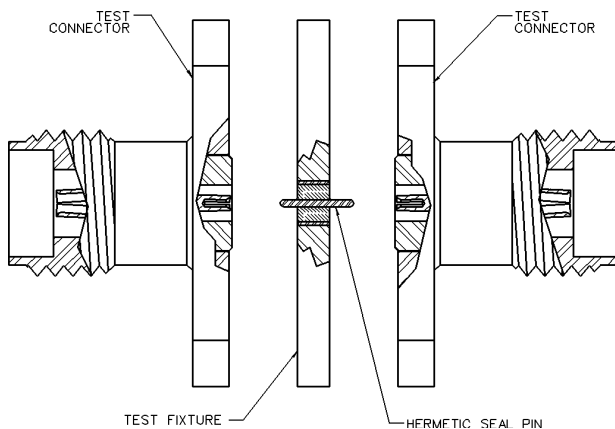
The field replaceable connector creates a transition from microstrip circuitry to a coaxial transmission line. The SMK (2.92mm) seal pin diameter is .012 (.030) to minimize the capacitive effects on the circuit trace. For optimum electrical performance, the transition from the hermetic seal to the microstrip trace must be properly compensated. Compensation involves adjusting the microstrip trace width to minimize any impedance discontinuities found in the transition area.

The plot shown below is representative of the typical return loss of a Johnson Components™ field replaceable SMK connector. To produce the data shown below, a test fixture is created using the Johnson Components™ SMK hermetic seal. The fixture consists of a suitably thick spacer plate with the hermetic seal mounted flush to both surfaces. Two connectors are mounted back to back around the fixture and the VSWR of this test assembly is measured. The calculated return loss trace shown is equivalent to the square root of the measured VSWR of the test assembly. Since the connectors tested are of identical design, it can be stated with fair accuracy that the calculated data shown represents the response of a single field replaceable connector and its transition to the hermetic seal.

Although Johnson Components™ does not publish a VSWR specification for field replaceable connectors, typical connector return loss can be expected to be less than -20 dB through 40 GHz. A VSWR specification is not stated because an industry standard method for testing field replaceable connectors does not exist. The actual performance of the connector is dependent upon the following:

1. For optimum electrical performance, Johnson Components™ recommends the use of our standard 142-1000-033 hermetic seal with a pin diameter of .0120 (0.305) +/- .0005 (0.013).
2. It is recommended that the hermetic seal be mounted flush with the circuit housing. Tolerance variations between the hermetic seal and machined housing do not always guarantee an optimum transition to the connector. Some manufacturers recommend an additional counterbore in the circuit housing to accommodate a solder washer during installation of the seal. Johnson Components™ does not recommend this type of installation because if the counterbore is not completely filled with solder, electrical discontinuities may be created.
3. The transition between the hermetic seal pin and the microstrip trace will effect electrical performance, as stated above. Several different methods of hermetic seal mounting and seal pin to microstrip trace attachment are used in the industry.

## FIELD REPLACEABLE TEST ASSEMBLY



## TYPICAL RETURN LOSS

