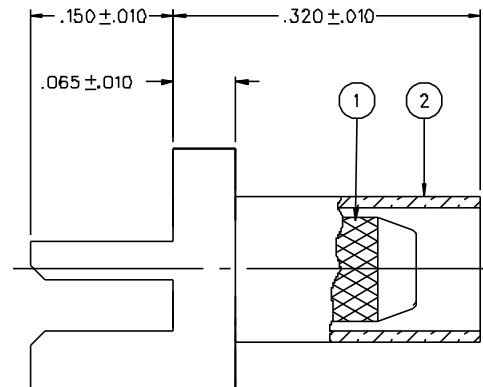
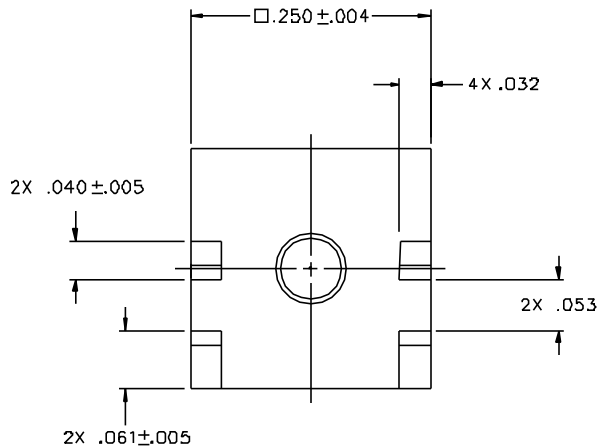
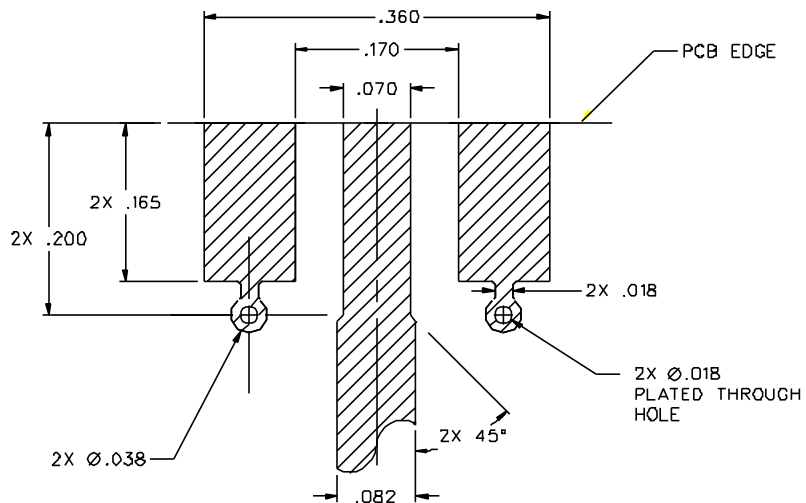


PART NUMBER	ITEM ① BODY	ITEM ② CRIMP SLEEVE
142-0003-811	BRASS GOLD PL .00001 MIN OVER NICKEL PL .00005 MIN OVER COPPER PL .00005 MIN	COPPER GOLD PL .00001 MIN OVER NICKEL PL .00005 MIN OVER COPPER PL .00005 MIN
142-0003-816	BRASS NICKEL PL .0001 MIN OVER COPPER PL .00005 MIN	COPPER NICKEL PL .0001 MIN OVER COPPER PL .00005 MIN

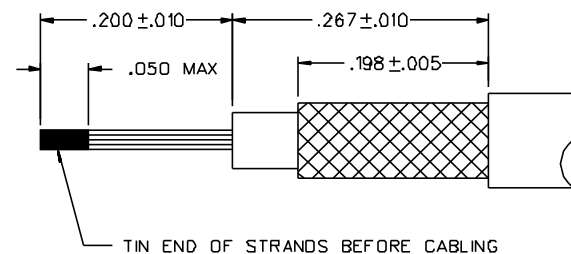
DRAWING NO. C - 142-0003-811/820	
0	REVISIONS
ENGINEERING RELEASE	
1	8-26-98 R H K T R ECN 45B23



DIMENSIONS ARE SYMMETRICAL ABOUT THE CENTERLINE



TRACE WIDTH DIMENSIONS



CABLE STRIP DIMENSIONS

CUSTOMER DRAWING

THIS DRAWING TO BE INTERPRETED PER ANSI Y 14.5M - 1982

"μSTATION"

COMPANY CONFIDENTIAL

NOTES:

1. SPECIFICATIONS:

CABLE ACCEPTABILITY: RG 188/U, RG 316/U, RG 161/U  
 RG 174/U, RG 179/U, RG 187/U  
 CABLE HEX CRIMP SIZE: .128  
 CABLE RETENTION: 20 LBS  
 IMPEDANCE: 50 OHMS

TOLERANCE UNLESS OTHERWISE SPECIFIED	DRAWN BY	DATE	JOHNSON <small>Cinch Connectivity Solutions</small>	
DECIMALS	KAS	5/19/98	299 Johnson Ave. Ste. 100 Waukegan, MN 55095 1-800-247-8256	
.XX	CHECKED BY	DATE	TITLE	CABLE TERMINATION, .053 END LAUNCH, RG 316
.XXX -- .003	KAS	8-27-98		
MATL	APPROVED BY	DATE	CODE NO.	DRAWING NO.
FINISH	TAK	9-9-98		C - 142-0003-811/820
	APPROVED BY	DATE	SCALE	
	RJB	9-11-98	10:1	
	RELEASE DATE		U/M INCH	SHEET 2 OF 2