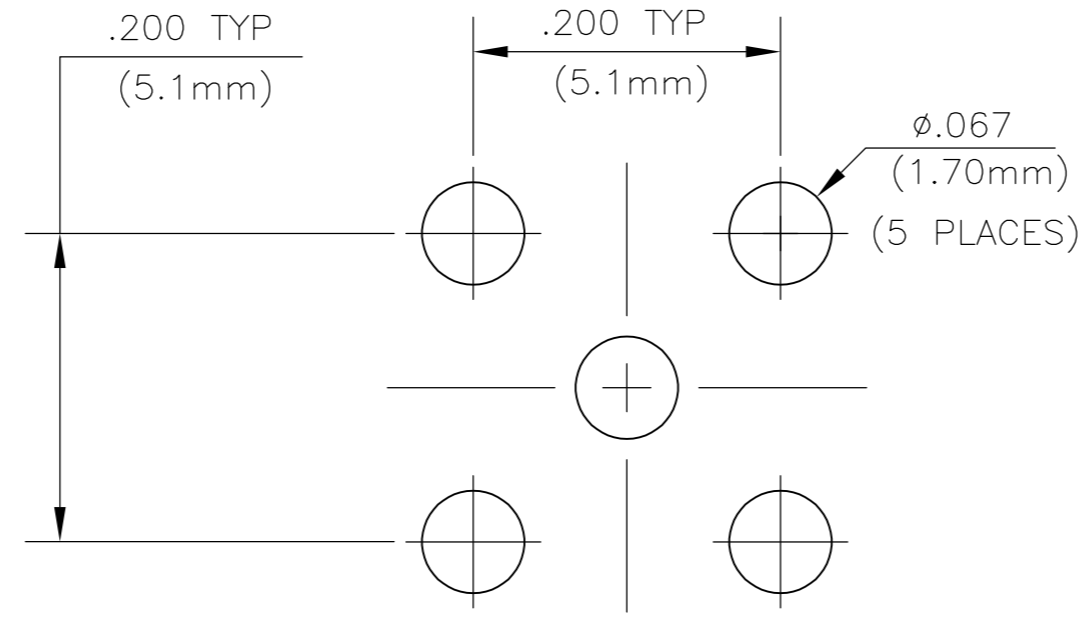
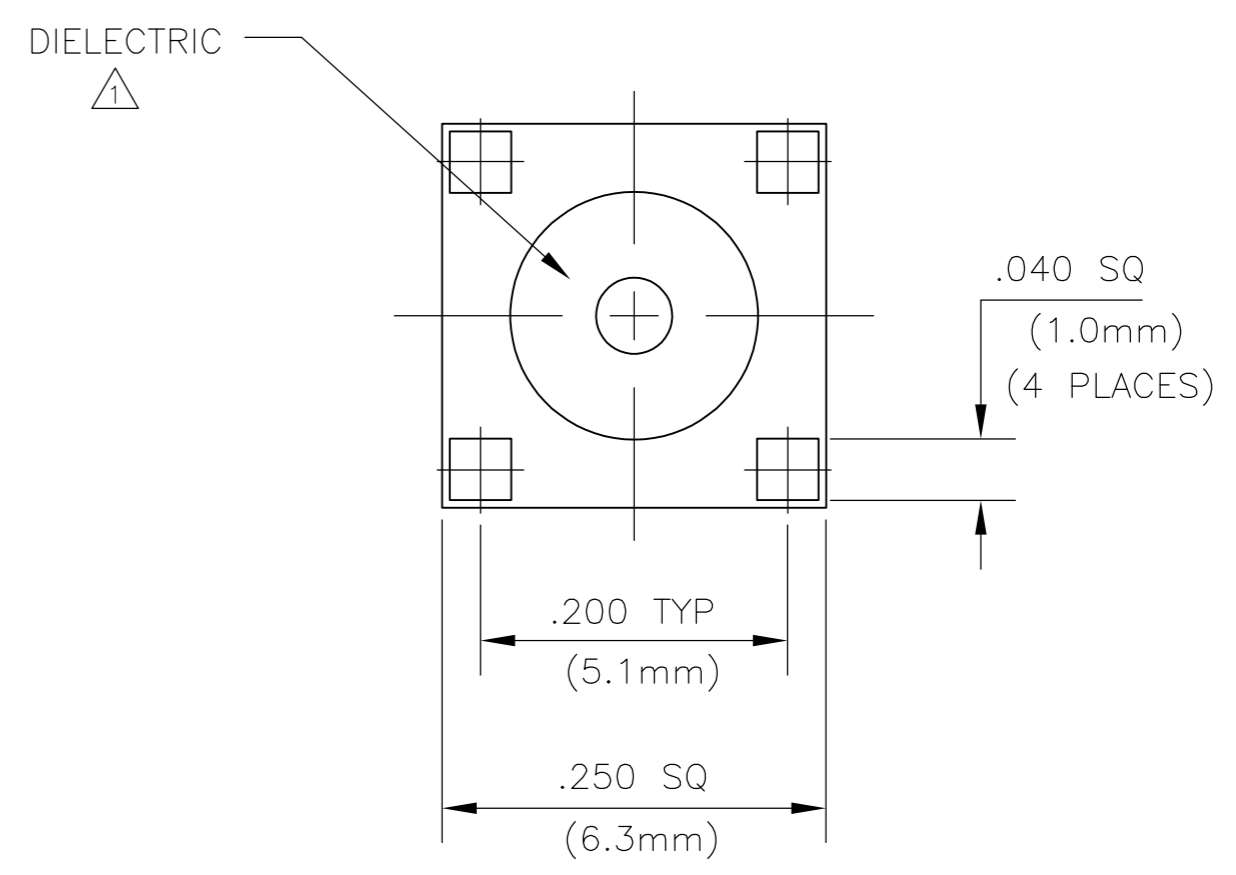
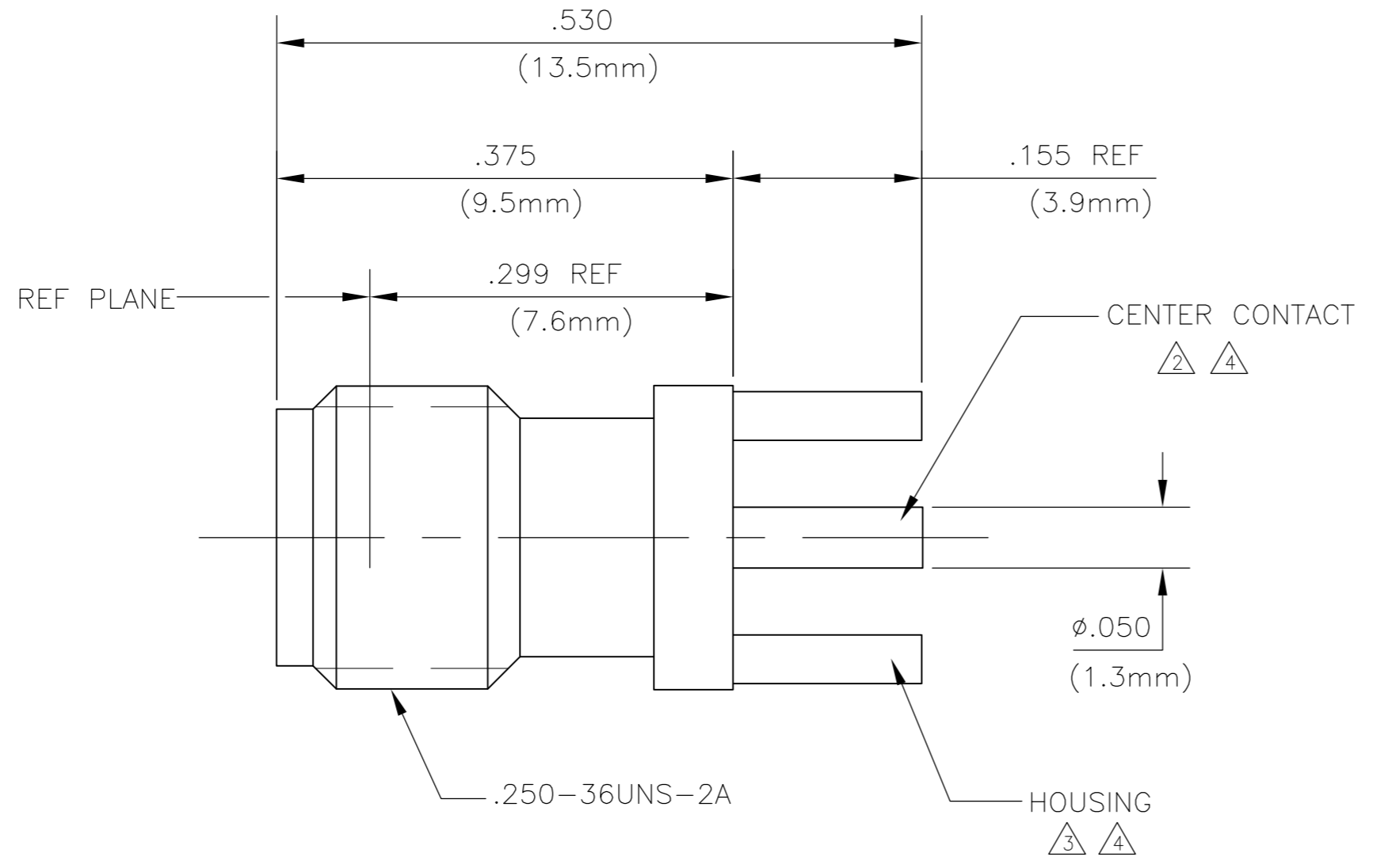


THIS DRAWING IS UNPUBLISHED. RELEASED FOR PUBLICATION
 © COPYRIGHT - By - ALL RIGHTS RESERVED.

LOC		DIST		REVISIONS			
P	LTR	DESCRIPTION	DATE	DWN	APVD		
	B	ECO-11-005980	9MAY2011	BL	MY		



- PTFE
- BERYLLIUM COPPER
- STAINLESS STEEL
- GOLD PLATE

1053354-1
 PART NUMBER

THIS DRAWING IS A CONTROLLED DOCUMENT.		DWN	BING LIU	9MAY2011	TE TE Connectivity																	
DIMENSIONS: INCHES		CHK	ANSON MA	9MAY2011																		
TOLERANCES UNLESS OTHERWISE SPECIFIED:		APVD	MARTIN YE	9MAY2011																		
<table border="1"> <tr><td>0 PLC</td><td>±</td><td>-</td></tr> <tr><td>1 PLC</td><td>±</td><td>-</td></tr> <tr><td>2 PLC</td><td>±</td><td>-</td></tr> <tr><td>3 PLC</td><td>±</td><td>.005</td></tr> <tr><td>4 PLC</td><td>±</td><td>-</td></tr> <tr><td>ANGLES</td><td>±</td><td>-</td></tr> </table>		0 PLC	±	-		1 PLC	±	-	2 PLC	±	-	3 PLC	±	.005	4 PLC	±	-	ANGLES	±	-	NAME	ASSEMBLY, JACK SMA
0 PLC	±	-																				
1 PLC	±	-																				
2 PLC	±	-																				
3 PLC	±	.005																				
4 PLC	±	-																				
ANGLES	±	-																				
MATERIAL	2	FINISH	4	WEIGHT	-																	
RESTRICTED CUSTOMER		SIZE	A2	CAGE CODE	00779																	
		DRAWING NO	C=1053354		RESTRICTED TO																	
		SCALE	8:1	SHEET	1 of 1																	
		REV	B																			

1053354