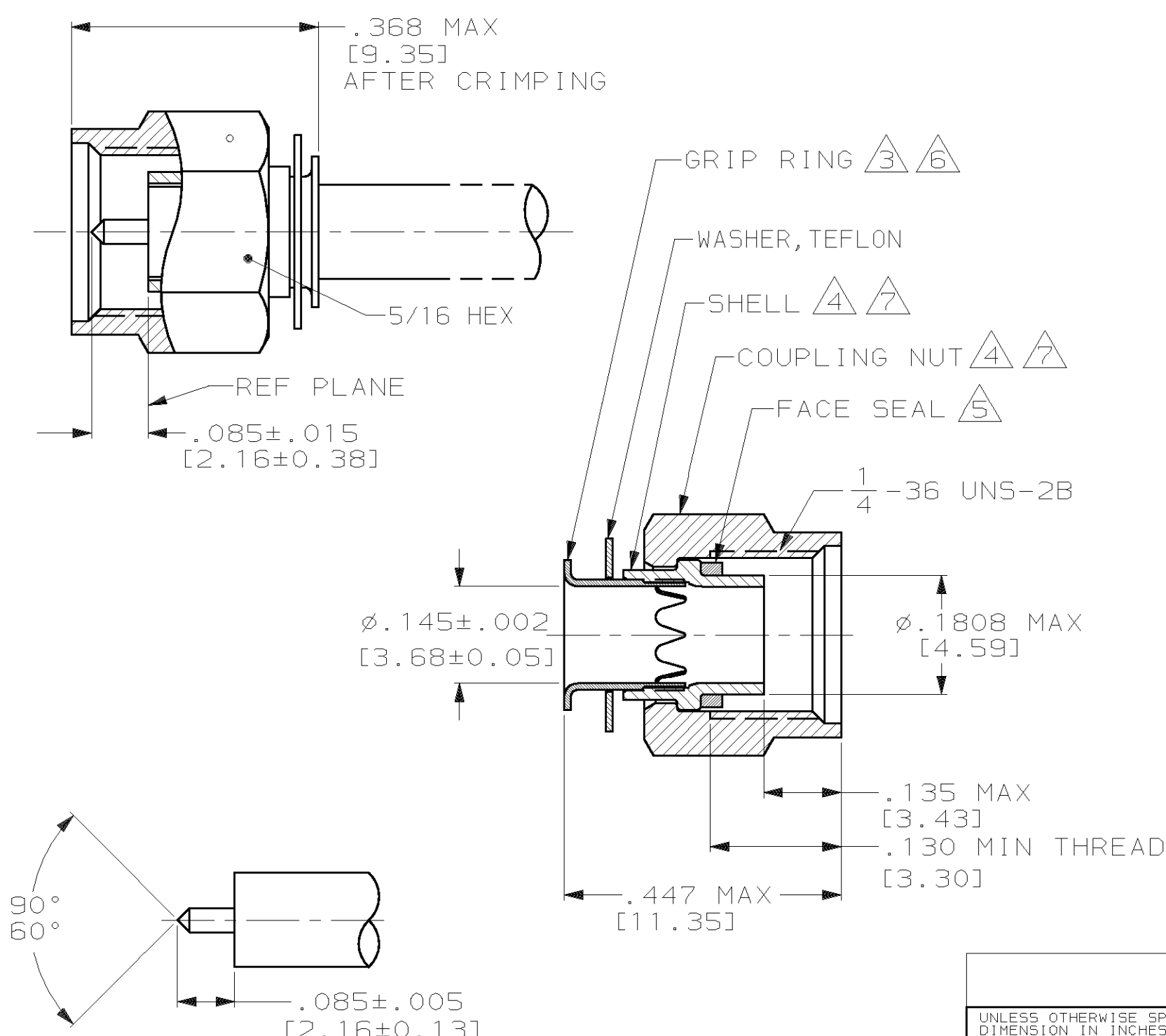


THIS DRAWING IS UNPUBLISHED. RELEASED FOR PUBLICATION, 19  
 © COPYRIGHT 19 BY AMP INCORPORATED, HARRISBURG, PA. ALL INTERNATIONAL RIGHTS RESERVED. AMP PRODUCTS MAY BE COVERED BY U.S. AND FOREIGN PATENTS AND/OR PATENTS PENDING.

LOC	DIST	P	F	REVISIONS				
AJ	16			ZONE	LTR	DESCRIPTION	DATE	APPROVED
					D	REACTIVATE PER 0U20-0435-00	22AUG00	MO



- FOR USE WITH RG-402/U, .141 SEMI-RIGID CABLE.
- SEE I.5. 6788.
- BRASS PER ASTM-B-36.
- STAINLESS STEEL PER ASTM-A-582
- SILICONE RUBBER PER ZZ-R-765.
- NICKEL PLATE PER QQ-N-290.
- PASSIVATION PER ASTM A967.
- MARKING: 00779 M39012/92B3101
- .500 MIN LENGTH OF STRAIGHT CABLE REQUIRED TO APPLY THE CONNECTOR.
- THIS PART PACKAGED 50 PCS PER BAG.
- PART NO 228635-1 IS IDENTICAL AND ACCEPTABLE ALTERNATE FOR PART NO 1-227531-3.

1-227531-3  
PART NO

UNLESS OTHERWISE SPECIFIED DIMENSION IN INCHES [mm] TOLERANCES ON: 2 PL DEC ± _____ 3 PL DEC ± _____ ANGLES ± _____	DR C.C. THOMAS 7-26-93	AMP INCORPORATED Harrisburg, Pa. 17105
	CHK J. CABARLO 7-29-93	
MATERIAL 3 THRU 5	APPD J. CABARLO 7-29-93	NAME PLUG, MIL-B, SERIES SMA
FINISH 6 7	APPD C.C. THOMAS 7-29-93	SIZE B
	PRODUCT SPEC 108-12055	FSCM NO 00779
	APPLICATION SPEC	DRAWING NO 1-227531-3
	WEIGHT .063 OZ	SCALE 5:1
		SHEET 1 OF 1

THIS DRAWING IS A CONTROLLED DOCUMENT FOR AMP INCORPORATED. IT IS SUBJECT TO CHANGE AND THE CONTROLLING ENGINEERING ORGANIZATION SHOULD BE CONTACTED FOR THE LATEST REVISION.