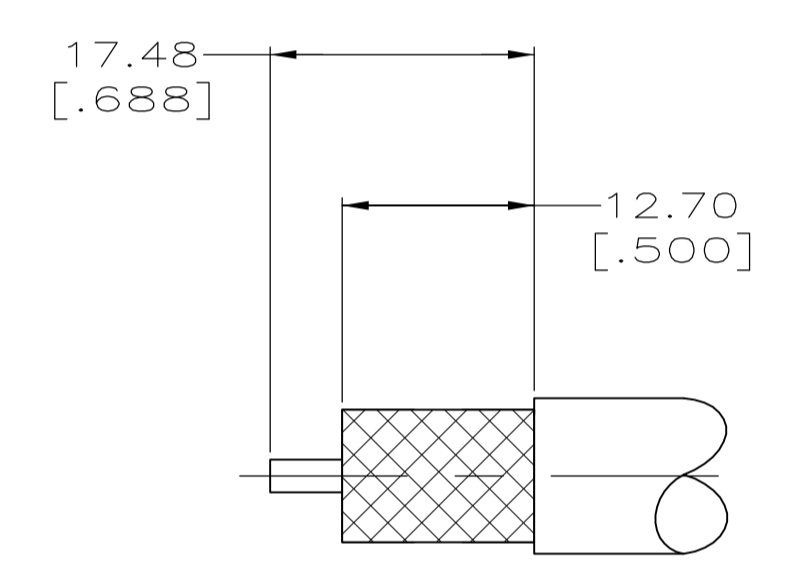
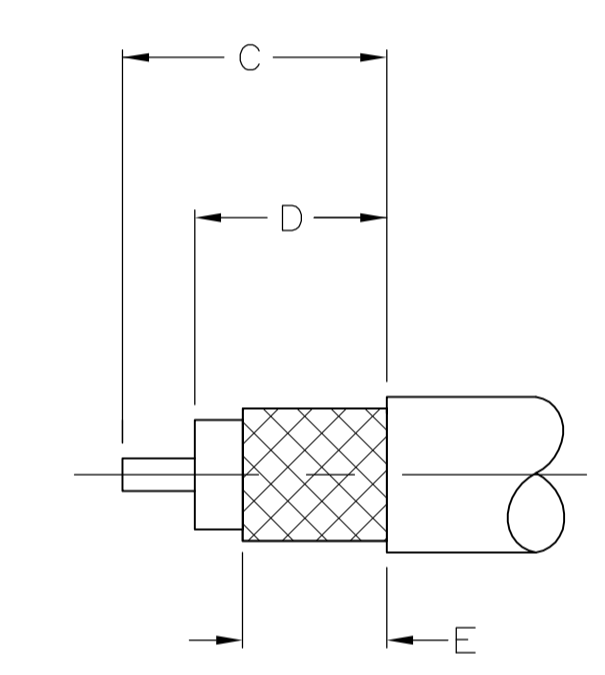


- 1. SEE I.S. 2028-1
- 2. SEE SEPERATE RESTRICTED CUSTOMER DRAWING
- 3. SAME AS 1-225661-8 EXCEPT PACKAGE 10 PER BOX
- 4. OBSOLETE PARTS: OBSOLETE CIS STREAMLINING PER D.RENAUD/D.SINISI



DETAIL A  
SCALE 2:1



DETAIL B  
SCALE 2:1

RECOMMENDED STRIP LENGTH

	OBSOLETE	RG-58A/U & 58C/U	220045-2	8.71 [.343]	10.31 [.406]	15.09 [.594]	B	9-225381-0	225343-2	225342-3	9-225661-2	
	4	OBSOLETE	RG-213/U	220015-1	9.53 [.375]	12.70 [.500]	17.45 [.687]	B	9-51713-0	2-51695-1	51701-6	9-225661-1
		OBSOLETE	RG-9/U & 214/U	220015-1	-	-	-	A	9-51713-0	2-51695-1	51701-6	9-225661-0
	3	SUPERSEDED	-	-	-	-	-	-	-	-	-	1-225661-9
	4	OBSOLETE	-	-	-	-	-	-	-	-	-	1-225661-8
		SUPERSEDED	BELDEN 8214	220015-1	9.53 [.375]	12.70 [.500]	17.45 [.687]	B	9-51713-0	1-51695-2	51701-6	1-225661-6
		OBSOLETE	RG-142/U,142A/U, & 142B/U	220045-2	8.71 [.343]	10.31 [.406]	15.09 [.594]	B	225382-3	225343-4	225342-3	1-225661-5
		SUPSD BY 1-225662-4	RG-141/U,141A/U & BELDEN YR-20621	220045-2	8.71 [.343]	10.31 [.406]	15.09 [.594]	B	225381-3	225343-4	225342-3	1-225661-4
		SUPERSEDED	RG-55A & 223	220045-2	8.71 [.343]	10.31 [.406]	15.09 [.594]	B	9-225382-0	225343-2	225342-3	1-225661-3
			RG-58A/U & 58C/U	220045-2	8.71 [.343]	10.31 [.406]	15.09 [.594]	B	9-225381-0	225343-2	225342-3	1-225661-2
		OBSOLETE	RG-115A/U	220015-1	-	-	-	A	51713-9	2-51695-1	51701-7	1-225661-0
		OBSOLETE	RG-216/U	220015-1	-	-	-	A	51713-9	2-51695-2	51701-6	225661-5
			RG-213/U	220015-1	9.53 [.375]	12.70 [.500]	17.45 [.687]	B	9-51713-0	2-51695-1	51701-6	225661-2
			RG-9/U & 214/U	220015-1	-	-	-	A	9-51713-0	2-51695-1	51701-6	225661-1
			CABLE	CRIMPING TOOL	E	D	C	DETAIL	3 FERRULE QTY=1	2 CONTACT QTY=1	1 PLUG ASSY QTY=1	PART NUMBER

THIS DRAWING IS A CONTROLLED DOCUMENT.

DIMENSIONS: mm [INCHES]	TOLERANCES UNLESS OTHERWISE SPECIFIED:	DWG: NIK FRITZ 9-24-90	CHK: M. SNFED 2-28-91	TE Connectivity PLUG, SERIES N
0 PLC ± -	1 PLC ± -	APVD: R. HENRY 2-28-91	NAME:	
2 PLC ± 0.41 [016]	3 PLC ± -	PRODUCT SPEC:	APPLICATION SPEC:	SIZE: A1
4 PLC ± -	ANGLES ± -	WEIGHT: -	SCALE: 4:1	CAGE CODE: 00779
MATERIAL: -	FINISH: -	CUSTOMER DRAWING	DRAWING NO: 225661	RESTRICTED TO: -
			SHEET 1 OF 1	REV K3