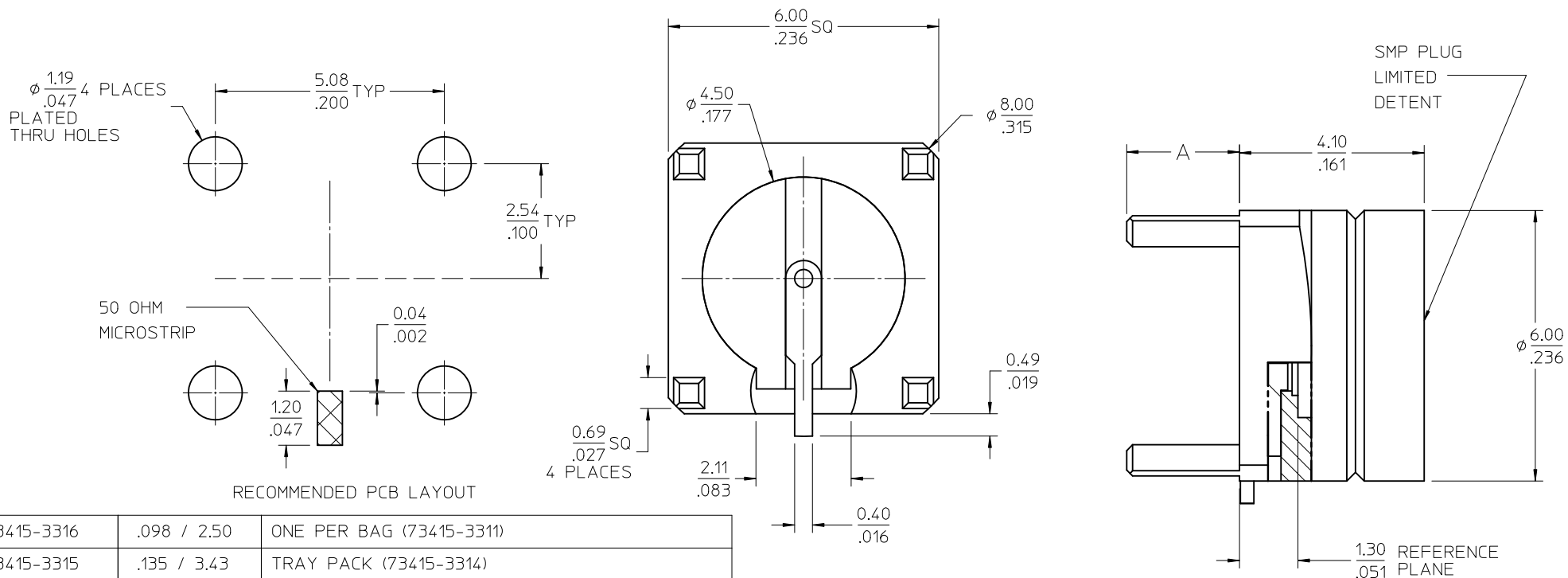


MATERIALS AND FINISHES:

BODY, CENTER CONTACT: BRASS  
FINISH: GOLD

INSULATOR: PEEK OR LCP

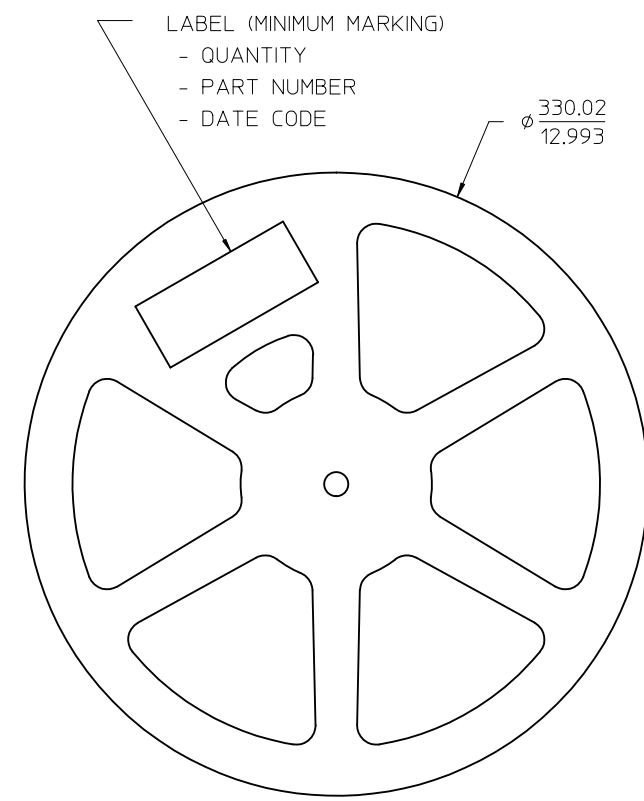
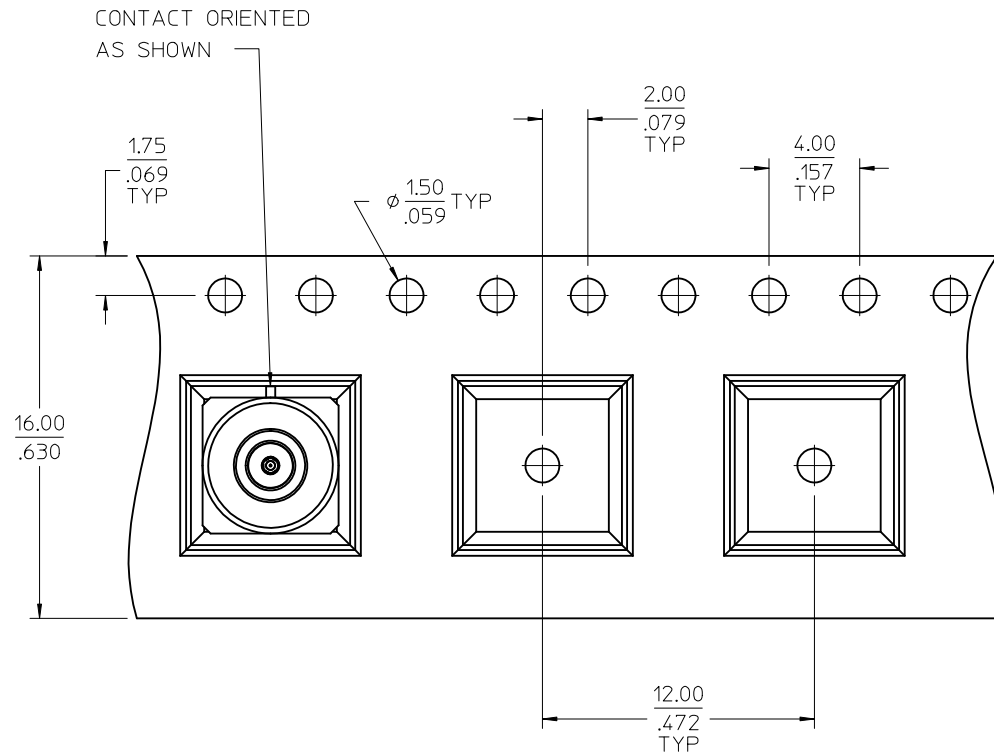
TAPE AND REEL: SEE SHEET 2



73415-3316	.098 / 2.50	ONE PER BAG (73415-3311)
73415-3315	.135 / 3.43	TRAY PACK (73415-3314)
73415-3314	.135 / 3.43	TAPE AND REEL (750 PARTS PER REEL)
73415-3313	.067 / 1.70	TRAY PACK (73415-3312)
73415-3312	.067 / 1.70	TAPE AND REEL (750 PARTS PER REEL)
73415-3311	.098 / 2.50	TRAY PACK (73415-3310)
73415-3310	.098 / 2.50	TAPE AND REEL (750 PARTS PER REEL)
PART NO.	IN / MM	PACKAGING
	DIM A	

PS-89675-3320	PRODUCT SPECIFICATION
SPECIFICATION	DESCRIPTION

CHG: ADD -3316 EC NO: URF2012-0435 DRWN: JWIENER 2012/01/27 CHKD: SSS 2012/01/27 APPR: JWIENER 2012/01/31	QUALITY SYMBOLS ▽=0 ▽=0	GENERAL TOLERANCES (UNLESS SPECIFIED)	DIMENSION STYLE MM/IN	SCALE DESIGN UNITS METRIC	THIRD ANGLE PROJECTION
		4 PLACES ± --- ± --- 3 PLACES ± --- ± --- 2 PLACES ± --- ± --- 1 PLACE ± --- ± ---	DRAWN BY DATE JLEE02 2010/11/01	TITLE SMP PLUG STRAIGHT PCB LIMITED DETENT, EWR-1359 SMP-P/PCB	
		ANGULAR ± 2 °	CHECKED BY DATE SSS 2010/11/05	MOLEX MOLEX INCORPORATED	
		DRAFT WHERE APPLICABLE MUST REMAIN WITHIN DIMENSIONS	APPROVED BY DATE JWIENER 2010/11/11	MATERIAL NO. SEE TABLE DOCUMENT NO. SD-73415-331	
C7	REV	SIZE C	THIS DRAWING CONTAINS INFORMATION THAT IS PROPRIETARY TO MOLEX INCORPORATED AND SHOULD NOT BE USED WITHOUT WRITTEN PERMISSION		



<b>CHG: SEE SHEET 1</b> EC NO: URF2012-0435 DRWN: JWIENER 2012/01/27 CHKD: SSS 2012/01/27 APPR: JWIENER 2012/01/31	QUALITY SYMBOLS $\blacktriangledown = 0$ $\triangle = 0$	GENERAL TOLERANCES (UNLESS SPECIFIED)		DIMENSION STYLE	SCALE	DESIGN UNITS	THIRD ANGLE PROJECTION
				MM/IN	1:2	METRIC	
				TITLE	SMP PLUG STRAIGHT PCB LIMITED DETENT, EWR-1359 SMP-P/PCB		
				MOLEX INCORPORATED			
REV <b>C7</b>	DESCRIPTION	DRAFT WHERE APPLICABLE MUST REMAIN WITHIN DIMENSIONS		MATERIAL NO. <b>SEE SHEET 1</b>	DOCUMENT NO. <b>SD-73415-331</b>	SHEET NO. <b>2 OF 2</b>	
				THIS DRAWING CONTAINS INFORMATION THAT IS PROPRIETARY TO MOLEX INCORPORATED AND SHOULD NOT BE USED WITHOUT WRITTEN PERMISSION			