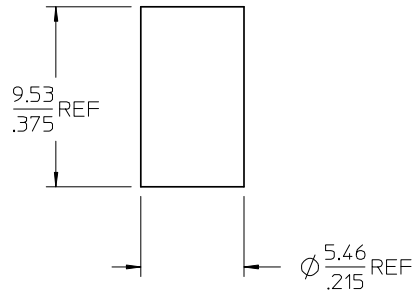
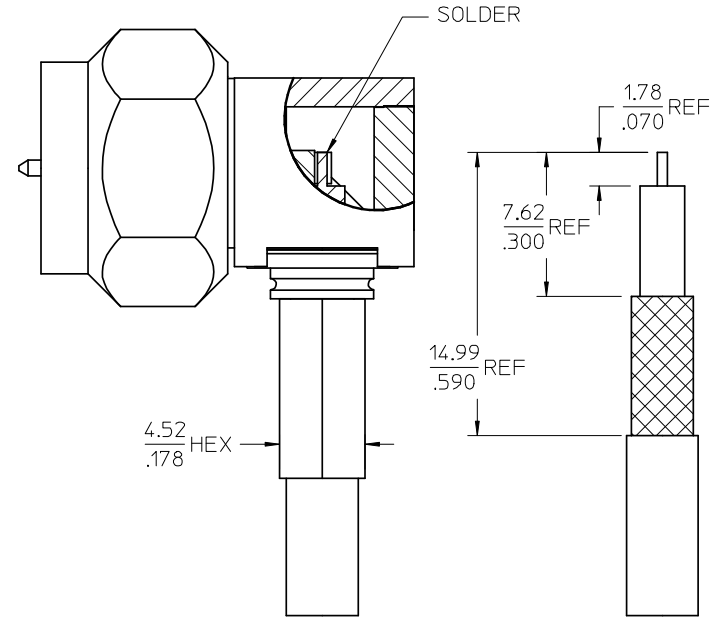
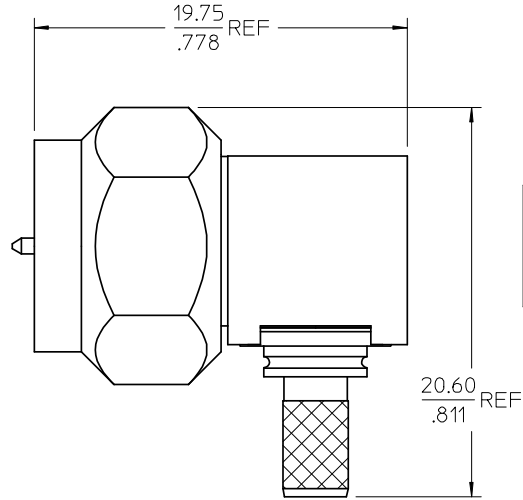
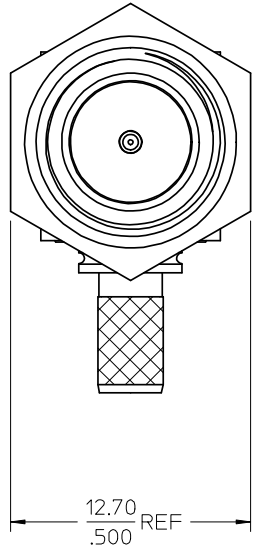
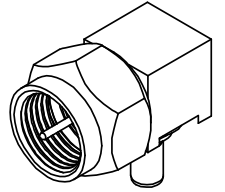


MATERIALS AND FINISHES

BODY, CRIMP TUBE, COUPLING NUT, CAP: BRASS
PLATED NICKEL

CONTACT: BRASS
PLATED GOLD

INSULATOR: TEFLON



BELDEN 1865A
STRIP DIMENSIONS

PART # 73356-0190

PS-89675-0910	ELEC/MECH PERFORMANCE
SPECIFICATION	DESCRIPTION

CHG: UPDATED VIEW
OF REVISED REAR
BODY.

EC NO: URF2008-0591

DRWN:ROBERTSON 2008/05/15

CHKD:SSS 2008/05/15

APPR:JMIENER 2008/05/15

REV A1

QUALITY SYMBOLS

▽=0

▽=0

GENERAL TOLERANCES
(UNLESS SPECIFIED)

	mm	INCH
4 PLACES	± .005	± .0005
3 PLACES	± .005	± .0005
2 PLACES	± .005	± .0005
1 PLACE	± .005	± .0005

ANGULAR ± 2 °

DRAFT WHERE APPLICABLE
MUST REMAIN
WITHIN DIMENSIONS

DIMENSION STYLE
MM/IN

SCALE

DESIGN UNITS
METRIC

THIRD ANGLE
PROJECTION

DRAWN BY DATE
SSS 2000/08/07

CHECKED BY DATE
TEF 2000/08/07

APPROVED BY DATE
GMH 2000/08/07

MATERIAL NO.
733560190

SIZE
C

TITLE
F PLUG RA BELDEN 1865A
75 OHM
F-PC, EWR-1071

MOLEX INCORPORATED

DOCUMENT NO.
SD-73356-019

SHEET NO.
1 OF 1

THIS DRAWING CONTAINS INFORMATION THAT IS PROPRIETARY TO MOLEX
INCORPORATED AND SHOULD NOT BE USED WITHOUT WRITTEN PERMISSION