

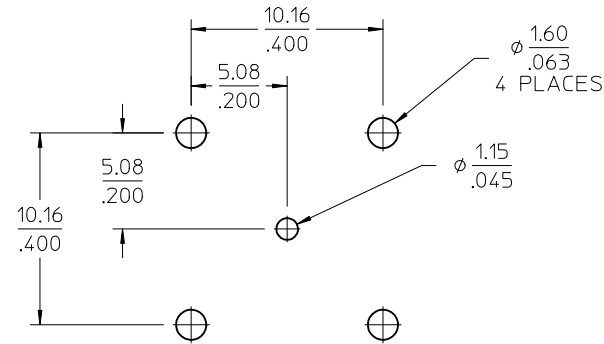
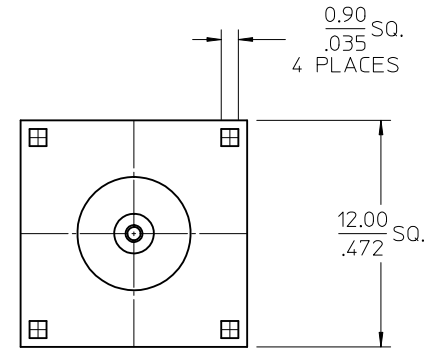
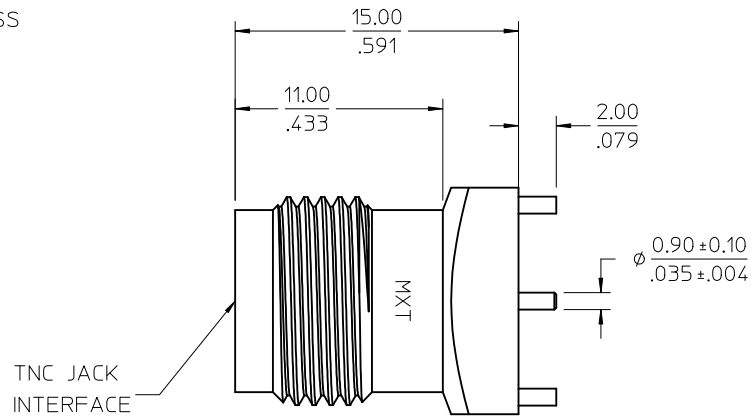
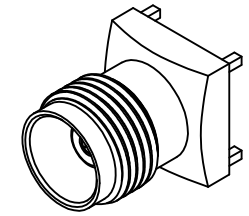
MATERIALS AND FINISHES:

BODY: BRASS
PLATED NICKEL

INSULATOR: TEFLON

CENTER CONTACT: PHOSPHOR BRONZE
PLATED GOLD

RETAINING RING: BRASS
PLATED NICKEL



RECOMMENDED
PCB LAYOUT

PART # 73100-0232

PS-73598-0038	PRODUCT SPECIFICATION
MIL-STD-348A, FIG. 313.2	TNC JACK INTERFACE
SPECIFICATION	DESCRIPTION

CHG: UPDATED VIEWS MODIFIED ALL DIM. EC NO: URF2012-0690 DRWN: CWE102 2012/05/17 CHKD: APPR: MHUANG 2012/05/28	QUALITY SYMBOLS	GENERAL TOLERANCES (UNLESS SPECIFIED)	DIMENSION STYLE	SCALE	DESIGN UNITS	THIRD ANGLE PROJECTION
	▽=0	mm INCH	MM/IN	METRIC		
	▽=0	4 PLACES ± --- ± ---	DRAWN BY DATE	TITLE	TNC JACK VERTICAL PCB 50 OHMS BNC-J molex	
	▽=0	3 PLACES ± --- ± ---	CWE102 2012/05/17			
		2 PLACES ± --- ± ---	CHECKED BY DATE			
		1 PLACE ± --- ± ---	KERRIE 2012/05/17			
		0 PLACE ± --- ± ---	APPROVED BY DATE			
			MHUANG 2012/05/28			
		ANGULAR ± 2°	MATERIAL NO.	DOCUMENT NO.		SHEET NO.
		DRAFT WHERE APPLICABLE MUST REMAIN WITHIN DIMENSIONS	731000232	SD-73100-0232		1 OF 1
			SIZE	THIS DRAWING CONTAINS INFORMATION THAT IS PROPRIETARY TO MOLEX INCORPORATED AND SHOULD NOT BE USED WITHOUT WRITTEN PERMISSION		