

MATERIALS AND FINISHES

BODY ZINC ALLOY
PLATED NICKEL

CENTER CONTACT PHOSPHOR BRONZE
PLATED GOLD

INSULATOR POLYPROPYLENE(94 V-2)

HOUSING POLYESTER BUTLYENE TEREPHTHALATE
COLOR BLACK

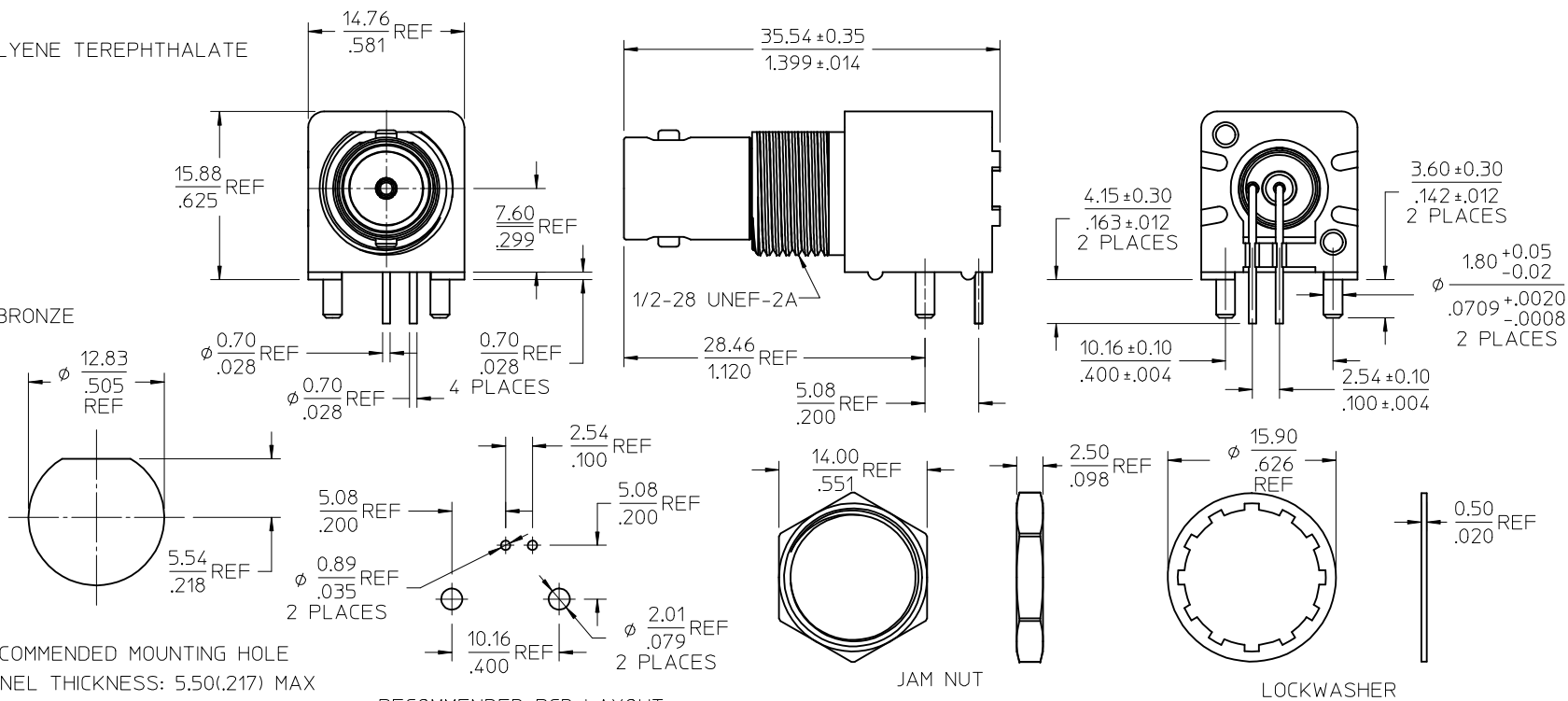
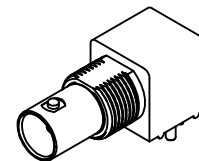
MOUNTING POST BRASS
PLATED TIN

SOLDER TAIL BRASS WIRE
PLATED TIN

LOCKWASHER PHOSPHOR BRONZE
PLATED NICKEL

JAM NUT BRASS
PLATED NICKEL

BNC JACK
INTERFACE



RECOMMENDED MOUNTING HOLE
PANEL THICKNESS: 5.50(.217) MAX
RECOMMENDED MOUNTING TORQUE:
0.56 N-m(5 INCH-LBS)

RECOMMENDED PCB LAYOUT

JAM NUT

LOCKWASHER

| | |
|---------------|-----------------------|
| PS-73598-0051 | PRODUCT SPECIFICATION |
| ES-73599-0000 | INTERFACE |
| SPECIFICATION | DESCRIPTION |

| | |
|------------|-------------------------|
| 73171-3000 | 73100-0070, ONE PER BAG |
| 73100-0070 | PLASTIC TRAYS |
| PART NO. | PACKAGING |

CHG: ADD MISSING
LENGTH DIMS

EC NO: URF2009-0534
DRWN: WIENER 2009/03/18
CHKD: SHAH 2009/03/18
APPR: WIENER 2009/03/18

QUALITY SYMBOLS
▽=0
▽=0

GENERAL TOLERANCES (UNLESS SPECIFIED)

| | mm | INCH |
|----------|--------|---------|
| 4 PLACES | ± .005 | ± .0002 |
| 3 PLACES | ± .005 | ± .0002 |
| 2 PLACES | ± .005 | ± .0002 |
| 1 PLACE | ± .005 | ± .0002 |

ANGULAR ± 2°

DRAFT WHERE APPLICABLE
MUST REMAIN
WITHIN DIMENSIONS

DIMENSION STYLE
MM/IN

DRAWN BY DATE

CHECKED BY DATE

APPROVED BY DATE

MATERIAL NO.
SEE TABLE

SIZE
C

SCALE
DESIGN UNITS
METRIC

THIRD ANGLE PROJECTION

BNC JACK, R/A PCB
RECEPTACLE, 75 OHMS
BNC-J/RA/PCB

molex MOLEX INCORPORATED

DOCUMENT NO.
SD-73100-0070

SHEET NO.
1 OF 1

THIS DRAWING CONTAINS INFORMATION THAT IS PROPRIETARY TO MOLEX
INCORPORATED AND SHOULD NOT BE USED WITHOUT WRITTEN PERMISSION