

NOTES:

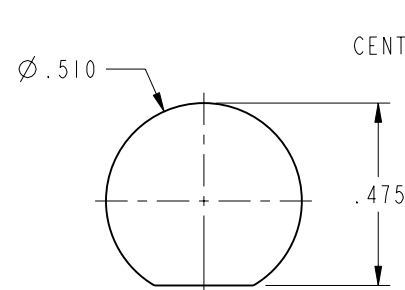
1. MATERIALS AND FINISHES:

- BODY - BRASS, NICKEL PLATED
- REAR BODY - BRASS, GOLD PLATED
- FEMALE CONTACT - PHOSPHOR BRONZE, GOLD PLATED (.000030" THICK MIN)
- BULLET CONTACT - BRASS, GOLD PLATED
- CRIMP FERRULE - ANNEALED COPPER, NICKEL PLATED
- INSULATOR - PTFE
- O-RING & GASKET - SILICONE

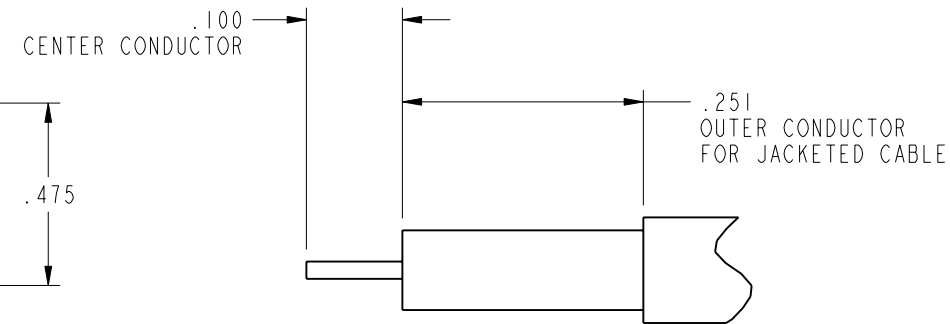
2. ELECTRICAL: FREQUENCY RANGE = DC TO 6.0 GHz
 V.S.W.R. (RETURN LOSS) = 1.250 MAX. (-19.1 dB)
 IMPEDANCE = 50 OHMS NOMINAL

3. MECHANICAL:
 WATER PROTECTION IN UNMATED CONDITION PER IEC 529, IP67
 CONTINUOUS OPERATING TEMPERATURE: -40°C TO +85°C
5. INTERFACE MEETS THE REQUIREMENTS OF MIL-STD-348,
 TNC SERIES, STANDARD POLARITY

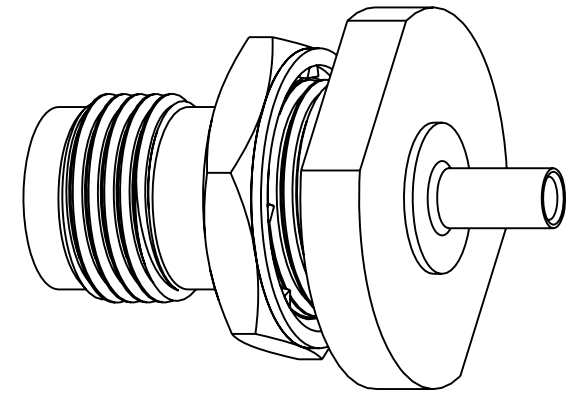
31-6288		REVISIONS			
DRAWING NO.	REV	DESCRIPTION	DATE	ECO	APPR
THIRD ANGLE PROJ.	A	RELEASE TO MFG.	8/15/07	46714	HP



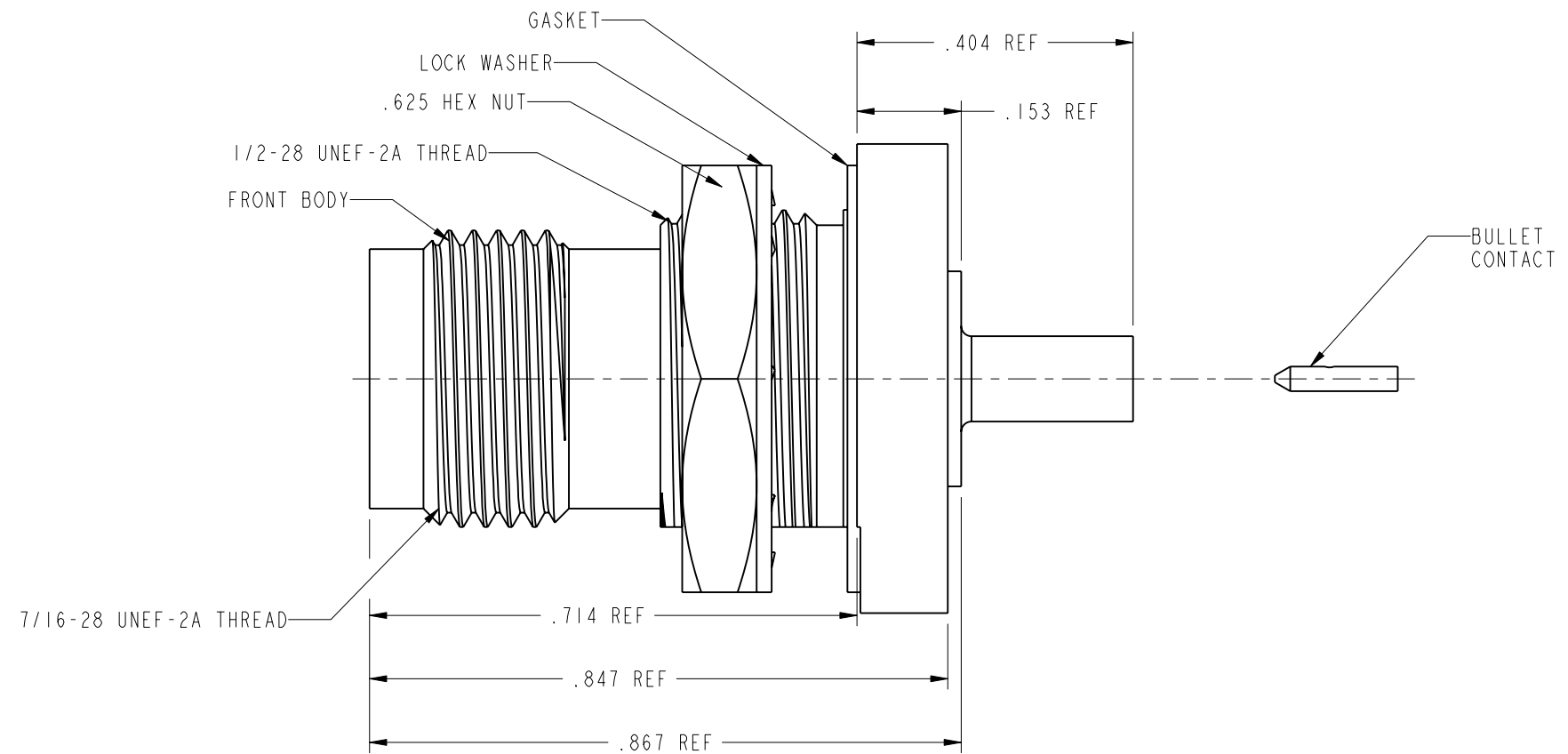
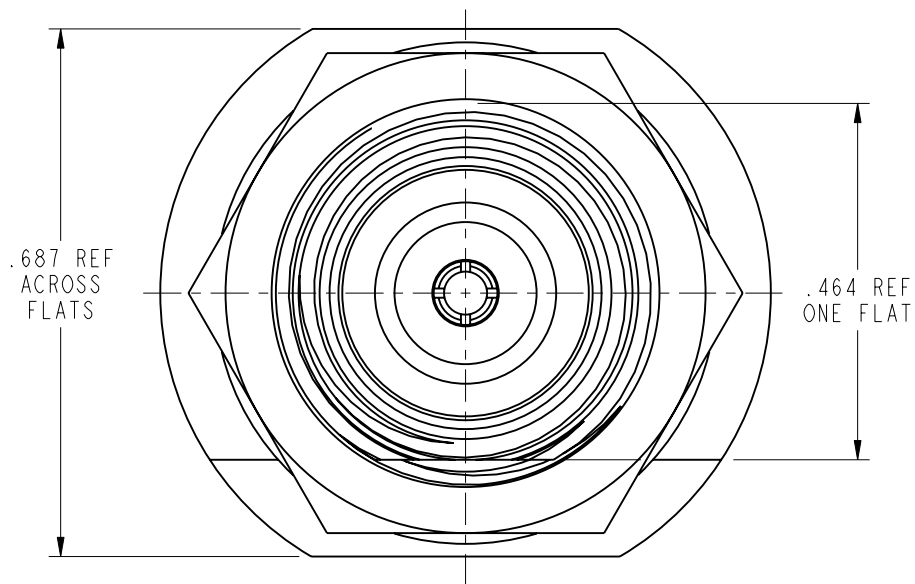
RECOMMENDED MOUNTING HOLE
 SCALE 2.000



RECOMMENDED TRIM DIMENSIONS



SCALE 2.500



CUSTOMER OUTLINE DRAWING

ALL OTHER SHEETS ARE FOR INTERNAL USE ONLY

UNLESS OTHERWISE SPECIFIED, DIMENSIONS ARE IN INCHES AND TOLERANCES ARE: 2 PLACE DECIMAL ±.015 (0,381 mm) 3 PLACE DECIMAL ±.005 (0,127 mm) ANGLES ± 1°	MATERIAL SEE NOTES	DRAWN H. PARIKH	DATE 20-Jul-06	TITLE TNC JACK, SEALED BULKHEAD, FOR .086 CONF OR TENSOLITE620 CABLE	Amphenol RF Danbury, CT, USA Tainan, Taiwan Shenzhen, China www.amphenolrf.com
	REFERENCE EAR#2144 AND 31-6288 CONFIGURATION LEVEL : Release	ENGINEER H. PARIKH	DATE 20-Jul-06		
NOTICE - These drawings, specifications, or other data (1) are, and remain the property of Amphenol Corp. (2) must be returned upon request; and (3) are confidential and not to be disclosed to any person other than those to whom they are given by Amphenol Corp. The furnishing of these drawings, specifications, or other data by Amphenol Corp., or to any other person to anyone for any purpose is not to be regarded by implication or otherwise in any manner licensing, granting rights or permitting such holder or any other person to manufacture, use or sell any product, process or design, patented or otherwise, that may in any way be related to or disclosed by said drawings, specifications, or other data.		CAD FILE I:\TNC\31-6288	CODE ID 74868	DWG SIZE B	DRAWING NO. 31-6288
					SCALE: 4.0:1