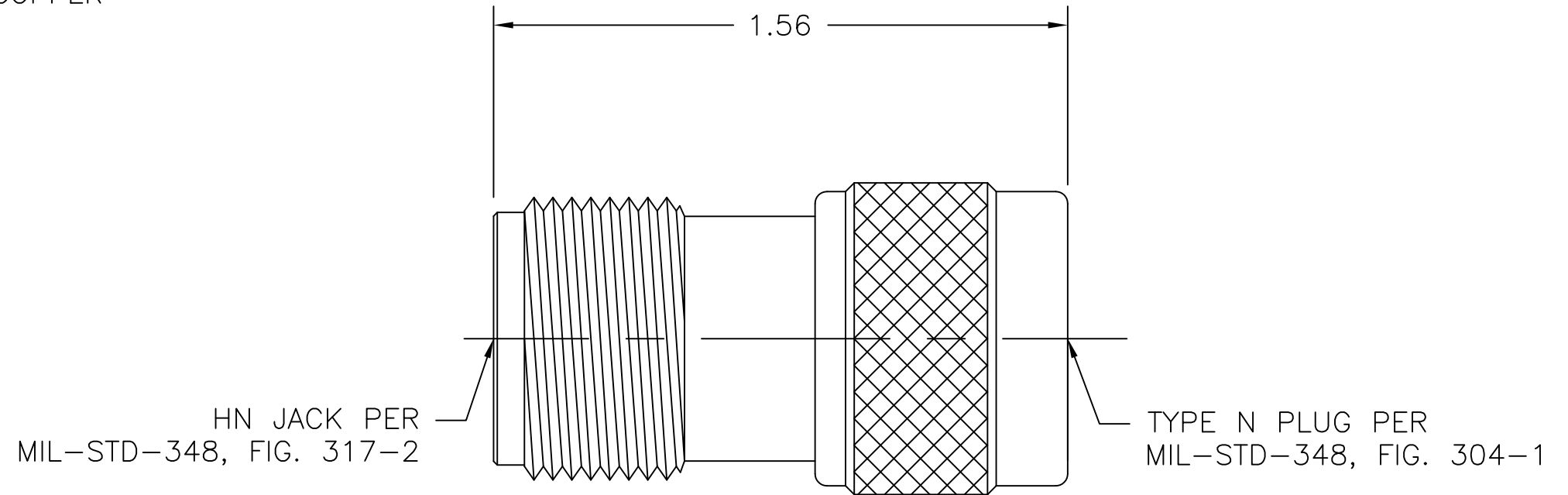


MODEL NUMBER
ADT-2791-NM-HNF-02


NOTES: UNLESS OTHERWISE SPECIFIED.

1. MATERIALS & FINISH:
 - 1.1 HOUSING & NUT: PASSIVATED STAINLESS STEEL
 - 1.2 CENTER CONTACT: GOLD PLATED BERYLLIUM COPPER
 - 1.3 DIELECTRIC: PTFE (TEFLON)
 - 1.4 GASKET: SILICONE RUBBER
2. ELECTRICAL SPECIFICATIONS:
 - 2.1 FREQUENCY RANGE: DC TO 8 GHz
 - 2.2 VSWR (MAX):
 - DC TO 4 GHz: 1.08:1
 - 4 TO 8 GHz: 1.20:1
 - 2.3 IMPEDANCE: 50 OHMS NOMINAL
3. MECHANICAL:

CENTER CONTACT CAPTURED IN ACCORDANCE WITH MIL-A-55339.



REV.	DESCRIPTION	DATE
-1	ADDED TITLEBLOCK	3/17/05
A	ECO 25450	9/28/15

This PROPRIETARY Document is property of Cinch Connectivity Solutions. It is confidential in nature, non-transferable, and issued with the clear understanding that it is no traced or copied without permission and is returnable upon demand. INTERPRET DRAWING ACCORDANCE WITH ASME Y14.5-2009.		CAGE CODE 34078	MIDWEST MICROWAVE	
UNLESS OTHERWISE NOTED DIMENSIONS ARE IN INCHES AND TOLERANCES ARE: 3 PLACE DECIMALS ±.005 2 PLACE DECIMALS ±.02 FRACTIONS ±1/64 PARALLELITY: T.I.R. _____ FLATNESS: T.I.R. _____ CONCENTRICITY: T.I.R. _____ ANGLES AND PERPENDICULARITY: ±1°				TITLE ADAPTER HN JACK TO TYPE N PLUG
DRAWN/DATE M. HOLLMAN 12/15/94	ENG./DATE A. OSGA 12/16/94	DRAWING NUMBER ADT-2791-NM-HNF-02-01		REV. A
CHECKED/DATE A. BEATTY 12/15/94	APPROVED/DATE J. KEREKES 9/28/15	SCALE: 2=1	SHEET 1 of 1	