

NOTES:

1. MATERIAL AND FINISH (PLATING THICKNESS IN MICRO-INCHES):

BODY - BRASS, WHITE BRONZE PLATING  
 CONTACT - BERYLLIUM COPPER, SILVER PLATING  
 INSULATOR - PTFE, NATURAL

2. ELECTRICAL:

- A. IMPEDANCE: 50 OHM
- B. FREQUENCY RANGE: DC-6 GHz
- C. RETURN LOSS: 1.05 MAX. @ DC-4GHz  
1.1 MAX. @ 4-6 GHz
- D. INSERTION LOSS:  $0.05 + 0.05 * \sqrt{f}$  dB
- E. INTERMODULATION 3RD ORDER: -166 dBc MAX. (2\*43 dBm)
- F. D.W.V.: 2500 VRMS. MIN. 60 Hz
- G. INSULATION RESISTANCE: 5000 MΩ MIN.

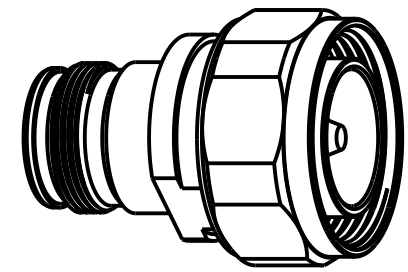
3. MECHANICAL:

- A. DURABILITY: 500 CYCLES MIN.
- B. TEMPERATURE RANGE: -65°C TO +165°C

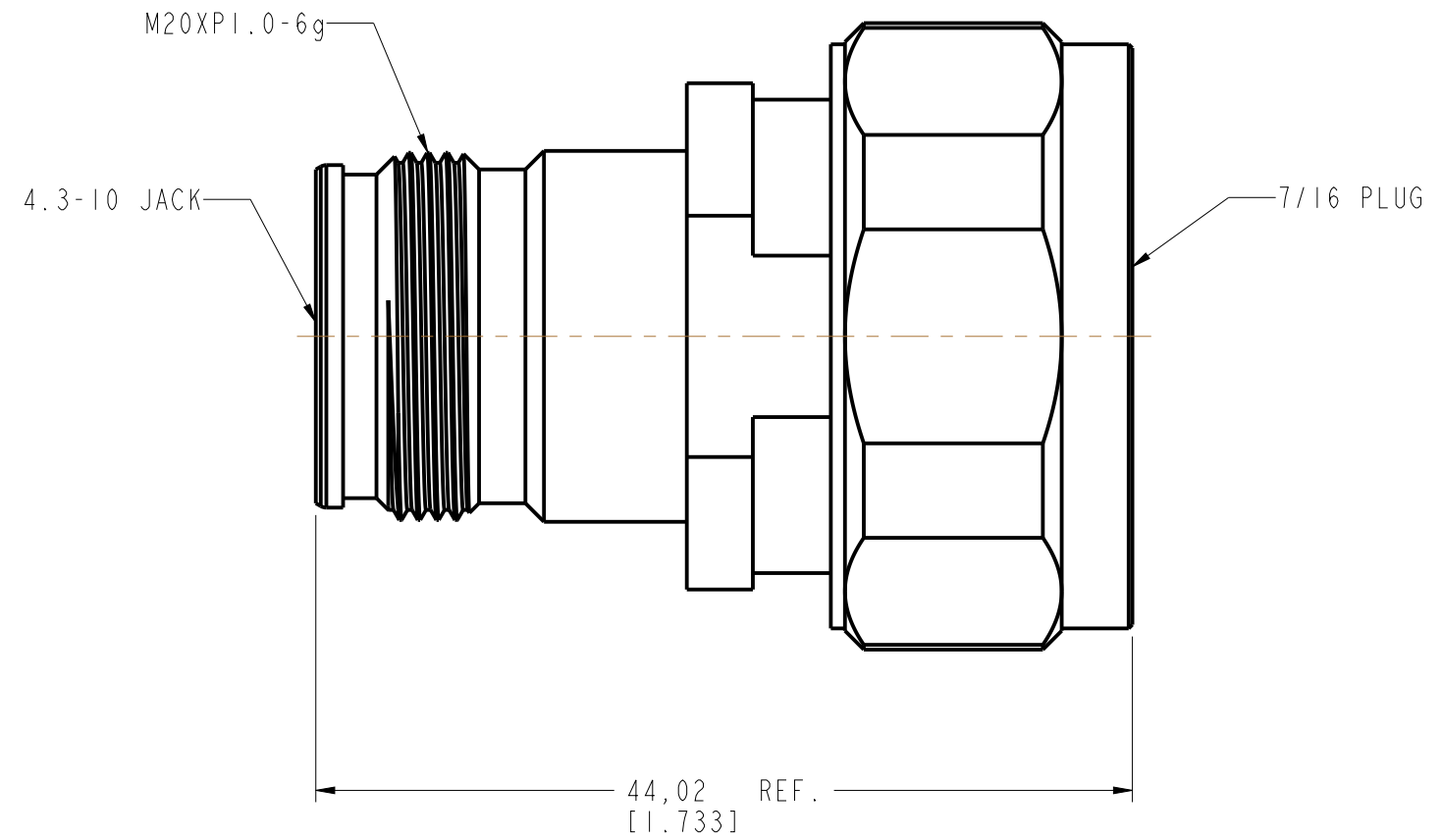
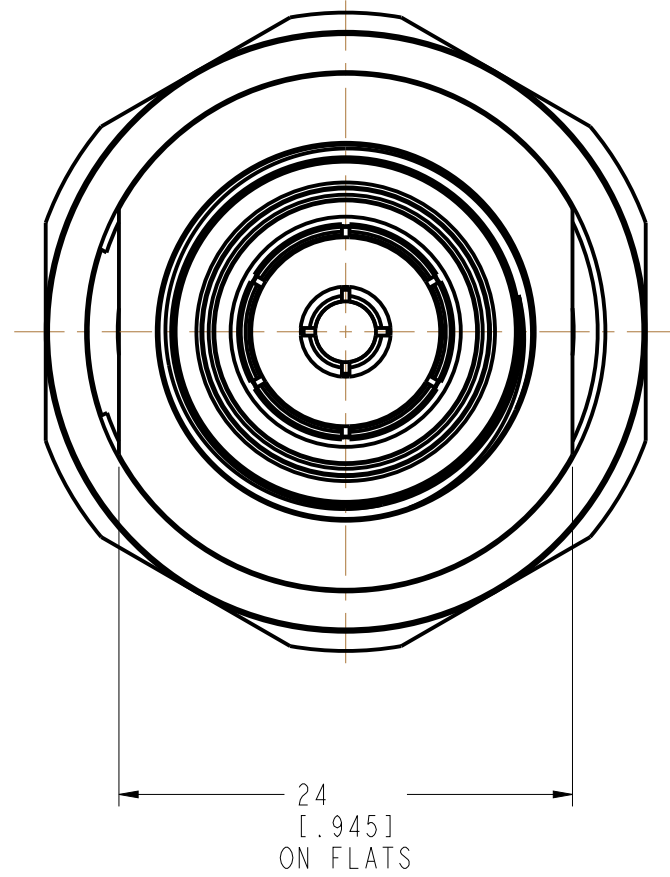
THIRD ANGLE PROJ.

REVISIONS

REV	DESCRIPTION	DATE	ECO	APPR
A	RELEASE TO MFG.	3/22/16	00201	KCE



SCALE 1.000



**CUSTOMER OUTLINE DRAWING**  
 ALL OTHER SHEETS ARE FOR INTERNAL USE ONLY

UNLESS OTHERWISE SPECIFIED, DIMENSIONS ARE IN METRIC AND TOLERANCES ARE: <0.5mm ±0.05mm    0.5 - 6mm ±0.1mm    6 - 30mm ±0.2mm    30 - 120mm ±0.3mm    ANGLES ±1°  NOTICE - These drawings, specifications, or other data (1) are, and remain the property of Amphenol corp. (2) must be returned upon request; and (3) are confidential and not to be disclosed to any person other than those to whom they are given by Amphenol Corp. the furnishing of these drawings, specifications, or other data by Amphenol Corp., or to any other person to anyone for any purpose is not to be regarded by implication or otherwise in any manner licensing, granting rights to permitting such holder or any other person to manufacture, use or sell any product, process or design, patented or otherwise, that may in any way be related to or disclosed by said drawings, specifications, or other data.	MATERIAL	DRAWN JEKY.C	DATE 09-Jun-15	TITLE 7/16 PLUG TO 4.3-10 JACK ADAPTER		Amphenol RF	
	REFERENCE EAR06396	ENGINEER	DATE 09-Jun-15			www.amphenolrf.com	
	CONFIGURATION LEVEL: In Work	APPROVED	DATE	SCALE: 2.5:1.0	SHEET 2 OF 2	DRAWING NO. 716M-4310F-ATS	
	FINISH	CAD FILE	DWG SIZE B	REV A	ITEM NO. 07M-88F-AB-5-F		PART NO. AD-716P4310J-1