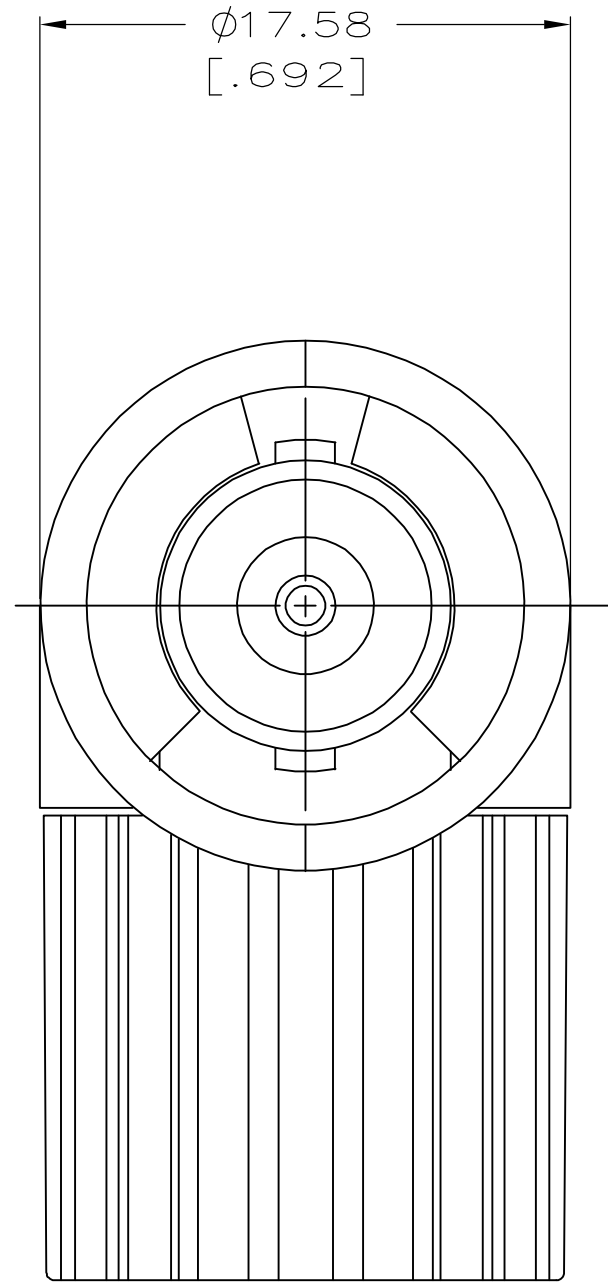
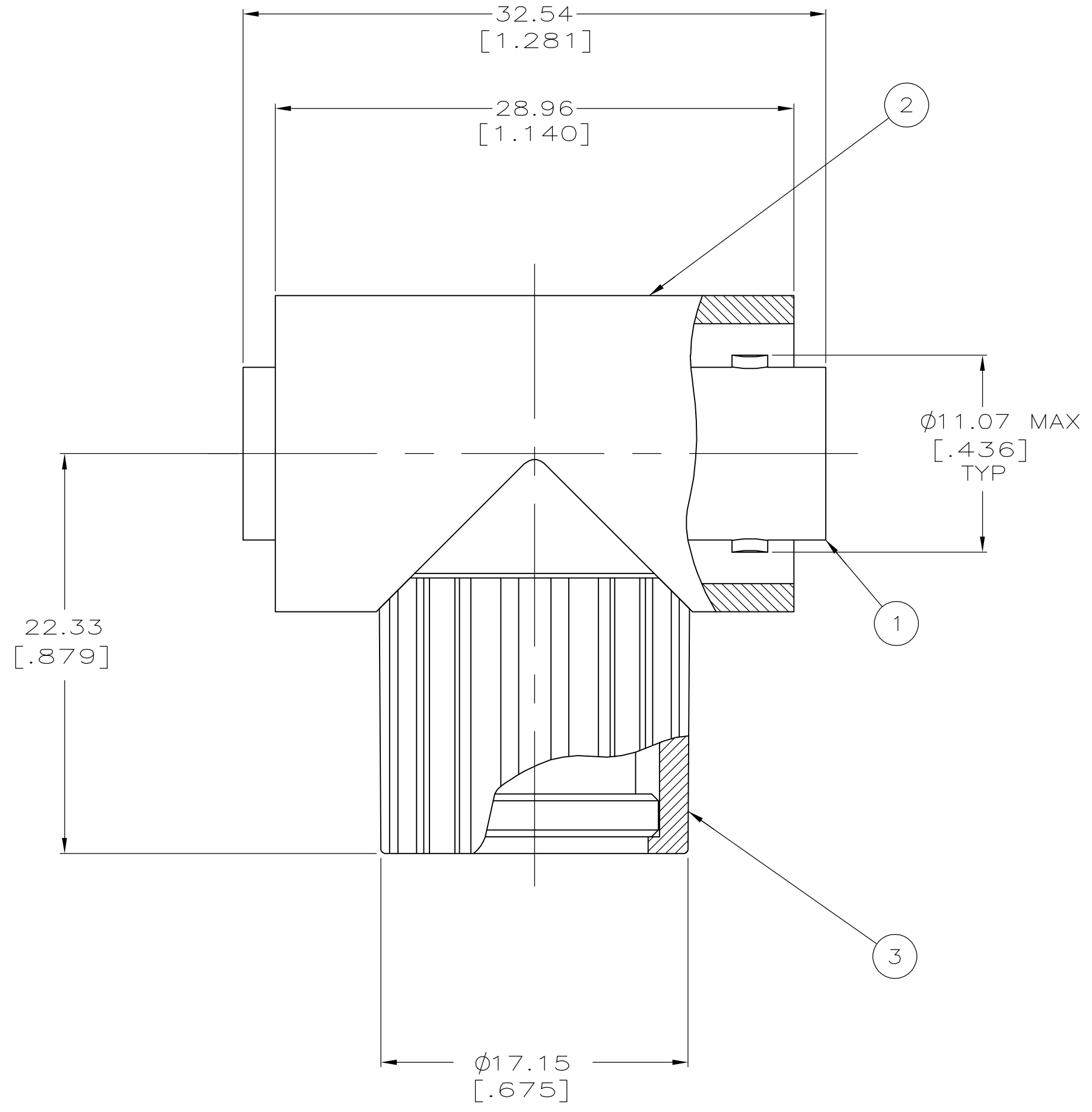


THIS DRAWING IS UNPUBLISHED. RELEASED FOR PUBLICATION
 © COPYRIGHT BY TYCO ELECTRONICS CORPORATION. ALL RIGHTS RESERVED.

LOC	DIST	REVISIONS				GV	KW
AJ	16	P	LTR	DESCRIPTION	DATE	DWN	APVD
		A		REVISED PER 0S14-0150-05	11NOV2005	REH	JL



1 MATERIAL: POLYPHENYLENE OXIDE.
 2 COLOR: GRAY.

1 2	1 2	5413592-6	5413366-2
3 INSULATOR CAP	2 INSULATOR	1 T-ADAPTER ASSEMBLY	PART NUMBER

THIS DRAWING IS A CONTROLLED DOCUMENT.		DWN J. HAVENER 28OCT2005	tyco Tyco Electronics Corporation	
DIMENSIONS: mm [INCHES]		CHK J. HAVENER 28OCT2005	Harrisburg, PA 17105-3608	
TOLERANCES UNLESS OTHERWISE SPECIFIED:		APVD J. LIPPERT 28OCT2005	NAME T-ADAPTER, INSULATED, SERIES BNC	
0 PLC ± -	1 PLC ± -	PRODUCT SPEC 108-12090	SIZE A2	CAGE CODE 00779
2 PLC ± 0.51 [.020]	3 PLC ± -	APPLICATION SPEC -	DRAWING NO C=5413366	RESTRICTED TO -
4 PLC ± -	ANGLES ± -	WEIGHT -	SCALE 4:1	SHEET 1 of 1
MATERIAL -	FINISH -	CUSTOMER DRAWING	REV A	

5413366