

NOTES: UNLESS OTHERWISE SPECIFIED.

1. MATERIAL & FINISH:

1.1 TRB PLUG:

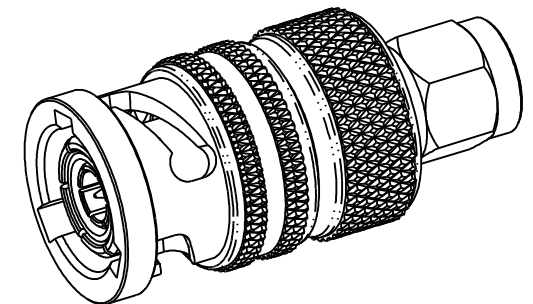
- 1.1.1 BODY: NICKEL PLATED BERYLLIUM COPPER
- 1.1.2 INSULATOR & DIELECTRIC: PTFE (TEFLON)
- 1.1.3 INTERMEDIATE CONTACT: GOLD PLATED BERYLLIUM COPPER
- 1.1.4 CENTER CONTACT: GOLD PLATED BRASS
- 1.1.5 GASKET: SILICONE RUBBER

1.2 SMA PLUG:

- 1.2.1 BODY: GOLD PLATED BERYLLIUM COPPER
- 1.2.2 DIELECTRIC: PTFE (TEFLON)
- 1.2.3 CENTER CONTACT: GOLD PLATED BRASS
- 1.2.4 COUPLING NUT: GOLD PLATED BRASS
- 1.2.5 GASKET: SILICONE RUBBER

2. ELECTRICAL:

- 2.1 FREQUENCY (MAX): 500 MHz
- 2.2 IMPEDANCE: NON-CONSTANT



<p>This PROPRIETARY Document is property of Cinch Connectivity Solutions. It is confidential in nature, non-transferable, and issued with the clear understanding that it is not traced or copied without permission and is returnable upon demand.</p> <p>INTERPRET DRAWING IN ACCORDANCE WITH ASME Y14.5-2009.</p>		TROMPETER		
	RoHS2 <input checked="" type="checkbox"/> 2011/65/EU	Title: ADAPTER, TRB PLUG/SMA PLUG		
	UNLESS OTHERWISE SPECIFIED UNITS: INCH .XX ±.02 .XXX ±.010 ANGLES ±2°	Model No.: 3-0351	Size: A	DO NOT SCALE DRAWING
	Date: 2/21/2018	Sheet: 1 OF 1		