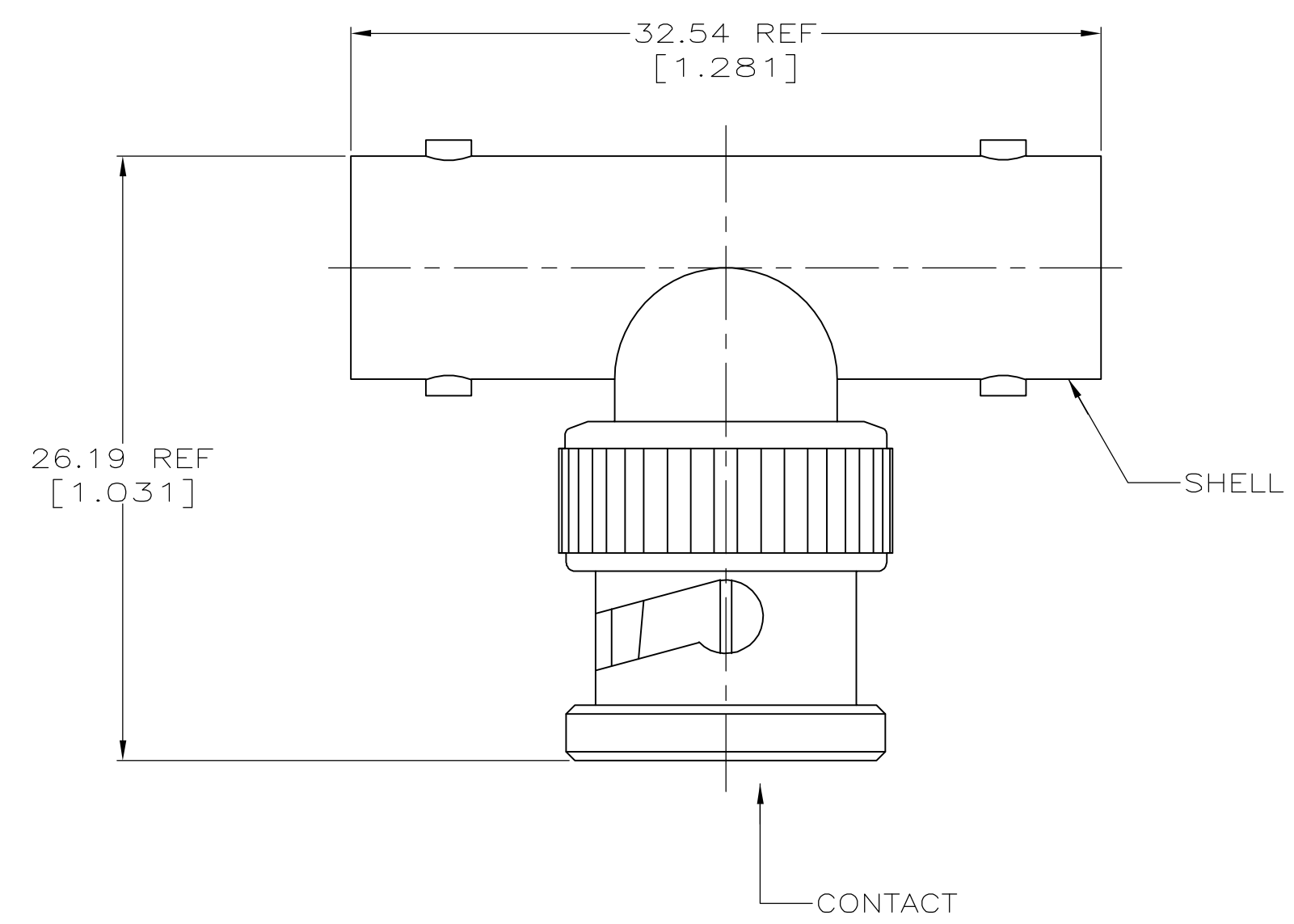


LOC	DIST	REVISIONS					
AJ	16	P	LTR	DESCRIPTION	DATE	DWN	APVD
		F		REVISED PER EC OS14-0456-04	09MAY05	BM	JL



1. COMPARABLE TO UG/U CONNECTOR 274A
2. PART MAY BE INNER-MATED WITH PRODUCT PER MIL-C-39012
- 3 MATERIAL:  
 DIELECTRIC: PTFE  
 JACK, CENTER CONTACT: BERYLLIUM COPPER  
 JACK, OUTER CONTACT: BRASS  
 PLUG, CENTER CONTACT: BRASS  
 PLUG, OUTER CONTACT: BRASS
- 4 GOLD PLATING PER MIL-G-45204, 0.76μm [.000030] MIN THICKNESS
- 5 NICKEL PLATING PER QQ-N-290, 2.54μm [.000100] MIN THICKNESS
- 6 SILVER PLATING PER QQ-S-365, 5.08μm [.000200] MIN THICKNESS
- 7 SEE SEPARATE RESTRICTED CUSTOMER DRAWING WITH THIS PN
- 8 SAME AS 221543-2 EXCEPT PACKAGED 5 PER BOX

8 OBSOLETE	4	5	221543-9
7	-	-	221543-8
7	-	-	221543-7
SUPERSEDED BY 221543-2	4	6	221543-3
	4	5	221543-2
SUPERSEDED BY 413592-4	6	5	221543-1
	CONTACT	SHELL	PART NUMBER
	FINISH		

THIS DRAWING IS A CONTROLLED DOCUMENT.		DWN	M.E. COWHER	5-10-91	Tyco Electronics Corporation Harrisburg, Pa 17105-3608
DIMENSIONS: mm [INCHES]		CHK	J. LIPPERT	5-24-91	
TOLERANCES UNLESS OTHERWISE SPECIFIED:		APVD	-	-	NAME
0 PLC ± - 1 PLC ± - 2 PLC ± - 3 PLC ± - 4 PLC ± - ANGLES ± ± -		PRODUCT SPEC		T-ADAPTER, SERIES BNC	
MATERIAL		APPLICATION SPEC		RESTRICTED TO	
FINISH		WEIGHT	-	SIZE	A2
		CUSTOMER DRAWING		CAGE CODE	00779
		DRAWING NO		DRAWING NO	G-221543
		SCALE		4:1	SHEET 1 OF 1
		REV		F	