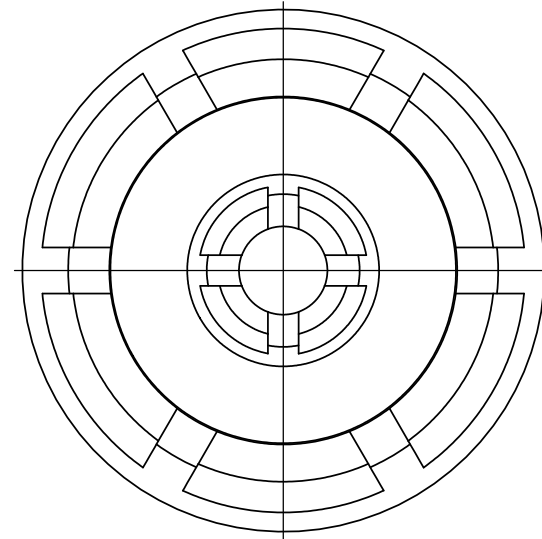
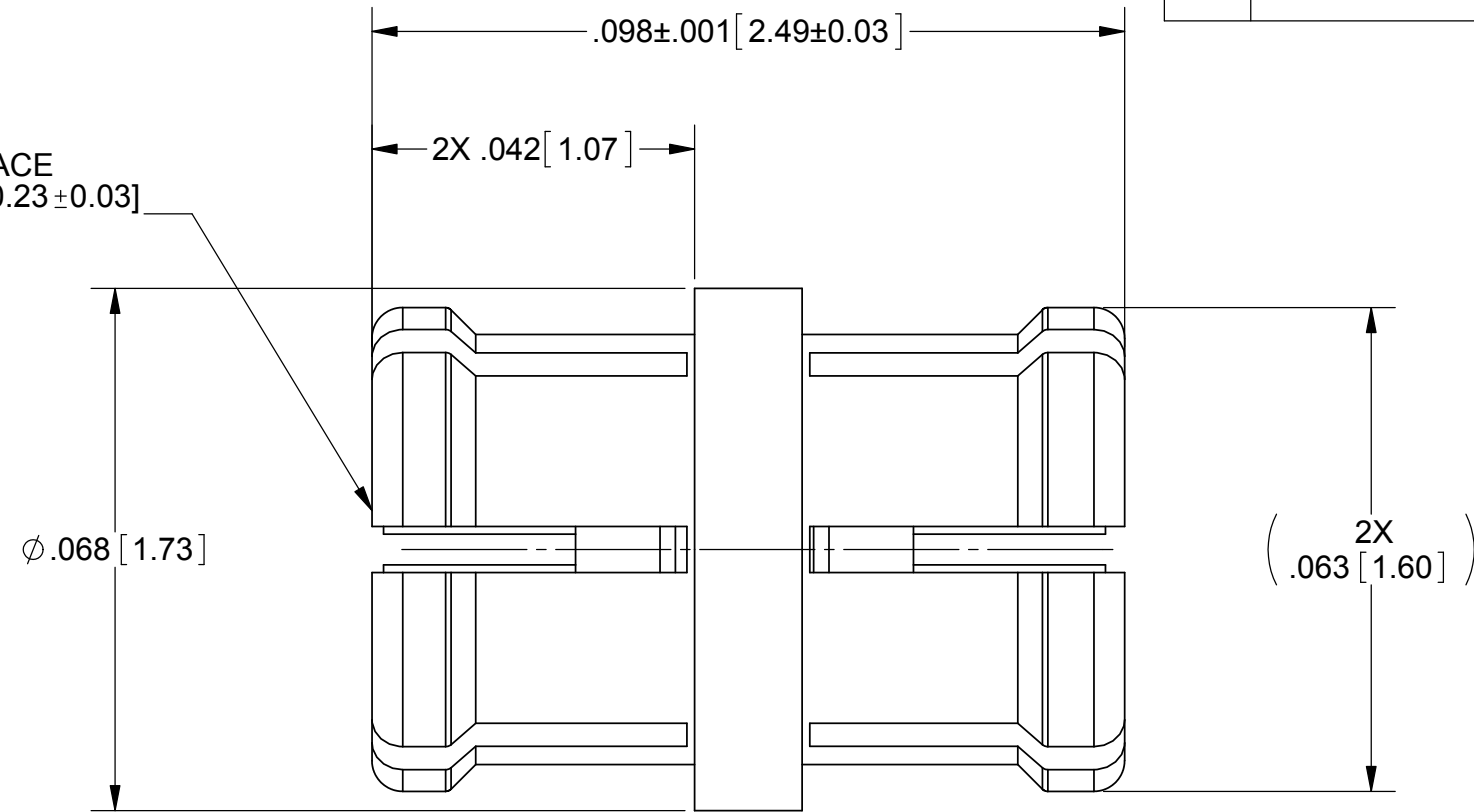


PRODUCT DATA DRAWING

REVISION HISTORY			
REV	DESCRIPTION	DATE	APPROVED
-	REL. NRN 35512	09/17/09	STW
A	DCN 39509	11/12	STW



2X SMPS INTERFACE
ACCEPTS $\phi .009 \pm .001 [0.23 \pm 0.03]$
MALE PIN



MATERIAL:
BODY, &
CONTACT: BERYLLIUM COPPER PER ASTM B196,
ALLOY No. UNS C17300, TD04

INSULATOR: PTFE PER ASTM D1710, TYPE I, GRADE 1, CLASS B

FINISH:
BODY &
CONTACT: GOLD PER ASTM B 488, TYPE II, CODE C, CLASS 1.27,
OVER NICKEL PER AMS-QQ-N-290, CLASS 1, .00005" MIN.

PERFORMANCE:
IMPEDANCE: 50 OHMS
VSWR: 1.15:1 DC TO 40 GHz TYPICAL
1.25:1 TO 65 GHz TYPICAL

INSERTION LOSS: .12 X SQRT(F(F IN GHz))
DWV: 250 VRMS

OPERATING TEMP.: -55°C TO +165°C

ENGAGEMENT: 3.5 LBS TYPICAL IN FULL DETENT
1.6 LBS TYPICAL IN SMOOTH BORE

DISENGAGEMENT: 2.0 LBS TYPICAL IN FULL DETENT
0.5 LBS TYPICAL IN SMOOTH BORE

MATERIAL: SEE NOTES	DIMENSIONS ARE IN INCHES TOLERANCES: FRACTIONAL: $\pm 1/64$ ANGULAR: X° $\pm 1'0''$ X*X' $\pm 15''$	UNLESS OTHERWISE SPECIFIED 1) ALL DIMENSIONS ARE IN INCHES (MILLIMETERS) 2) ALL DIMENSIONS ARE AFTER PLATING. 3) BREAK CORNERS & EDGES .005 R. MAX. 4) CHAM. 1ST & LAST THREADS. 5) SURFACE ROUGHNESS 63-MIL-STD-10. 6) DIA. 'S ON COMMON CENTERS TO BE CONCENTRIC WITHIN .005 T.I.R. 7) REMOVE ALL BURRS	SV Microwave, Inc. 2400 Centrepark West Drive, Suite 100 West Palm Beach, FL 33409
FINISH: SEE NOTES	DECIMAL: X $\pm .030$.XX $\pm .010$.XXX $\pm .005$	INTERPRET DIMENSIONS AND TOLERANCES PER ASME Y14.5M - 1994	TITLE: ADAPTOR SMPS FEMALE TO FEMALE
SURFACE AREA: N/A	THIRD ANGLE PROJECTION	DRAWN: JMC 08/10/09	SIZE: B CAGE CODE: 95077 DWG. NO.: 1138-4001
PROPRIETARY THE INFORMATION CONTAINED IN THIS DRAWING IS THE SOLE PROPERTY OF SV MICROWAVE, INC. ANY REPRODUCTION IN PART OR AS A WHOLE WITHOUT THE WRITTEN PERMISSION OF SV MICROWAVE, INC IS PROHIBITED.		CHECKED: STW 09/17/09 APPROVED: STW 09/17/09	SCALE: 40:1 SHEET 1 OF 1