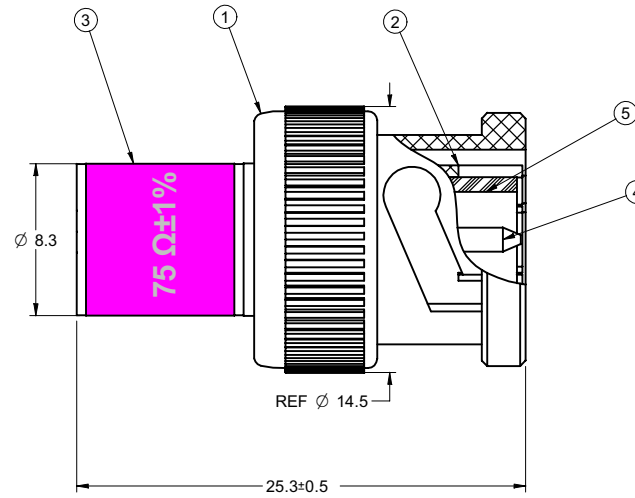
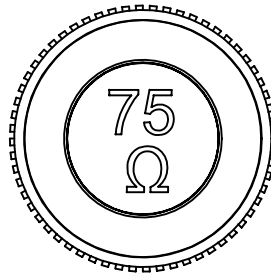


	5			4				3		2		1
PART NUMBER	ITEM ① NUT	ITEM ② BODY	ITEM ③ LABEL	ITEM ④ CONTACT	ITEM ⑤ INSULATOR							
27-9007	ZINC NICKEL PLATED	BRASS NICKEL PLATED	SELF ADHESIVE PE	BRASS GOLD PLATED	DELTRIN							

<b>受控 CONTROLLED DOCUMENT</b>			
编号 P/N	27-9007	版本 Rev	01
日期 Rel'd Date	May8,09		

DRAWING NO. 27-9007	
REVISIONS	
01	OFFICIAL RELEASE
04-13-09	G L T Z W

Thomas Chow  
2009.05.04  
14:41:14  
+08'00'



NOTES:

1. IMPEDANCE: 75 OHMS NOMINAL
2. FREQUENCY RANGE: 0-1 GHZ
3. RESISTOR: 75Ω±1%, 0.5W
4. RECOMMENDED TEMPERATURE RANGE: -55 °C TO +85 °C
5. LABEL: PURPLE BACKGROUND GRAY WORDS (75 Ω±1%).
6. FURTHER TECHNICAL DETAIL: REFER TO EMERSON DOCUMENT P/N 27-0000

THIS DRAWING TO BE INTERPRETED  
PER ANSI Y 14.5M - 1994

**COMPANY CONFIDENTIAL**

TOLERANCE UNLESS OTHERWISE SPECIFIED		DRAWN BY GARY.ZHG	DATE 04-13-09
DECIMALS	mm	CHECKED BY LINDA.WU	DATE 04-13-09
X	± 0.5	APPROVED BY THOMAS	DATE 04-13-09
X.X	± 0.2		
X.XX	± 0.1		
ANGLES	± 0.5°	U/M	mm

 cinch <small>CONNECTIVITY SOLUTIONS</small> <small>a bel group</small>	
TITLE BNC TERMINATOR 75 OHM	
SHEET 1 OF 1	DRAWING NO. 27-9007
SIZE C	

THIS DRAWING WAS PRODUCED BY COMPUTER,  
DO NOT SCALE DRAWING OR UPDATE MANUALLY.

SHEET 1 OF 1	DRAWING NO. 27-9007	SIZE C
-----------------	------------------------	-----------