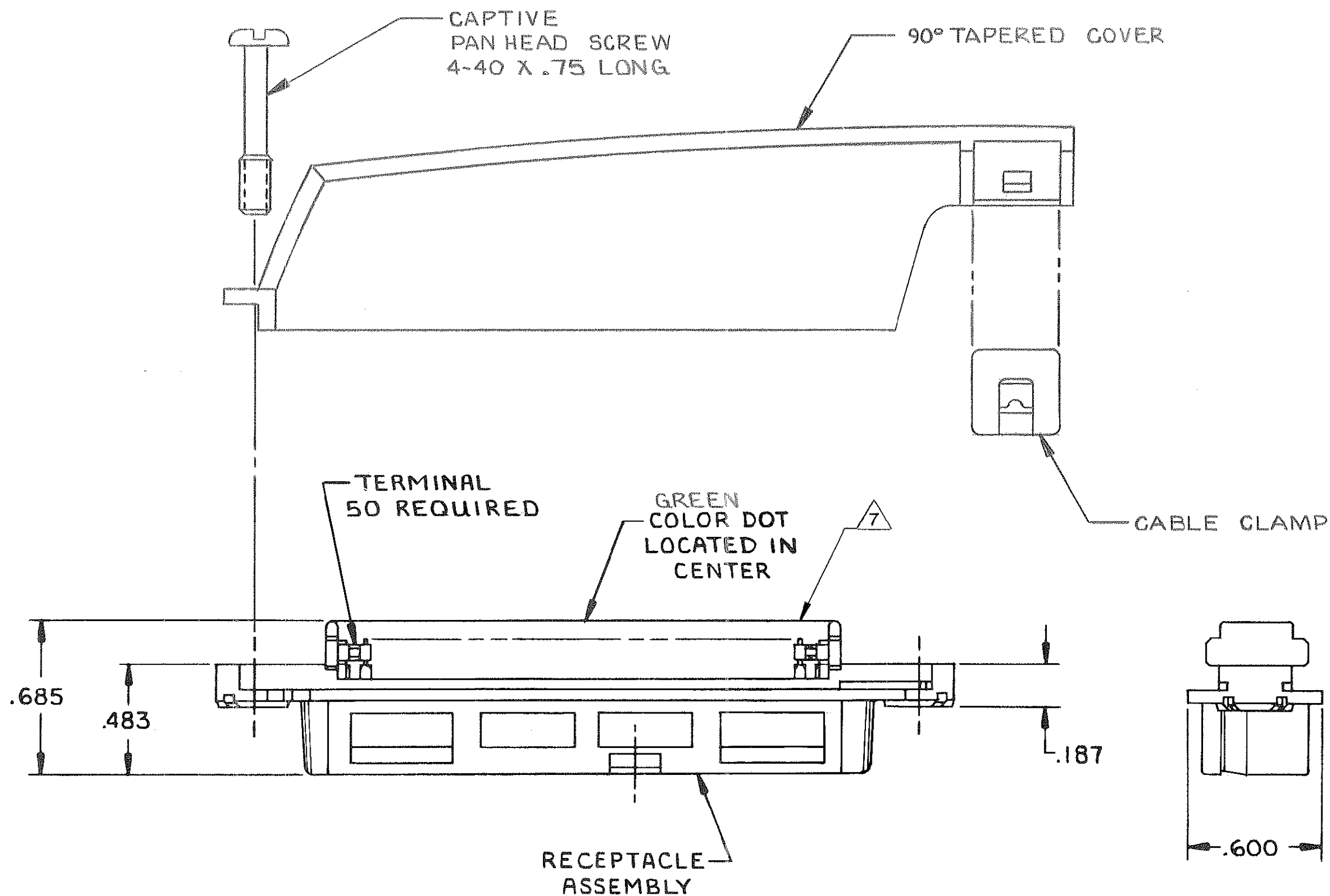
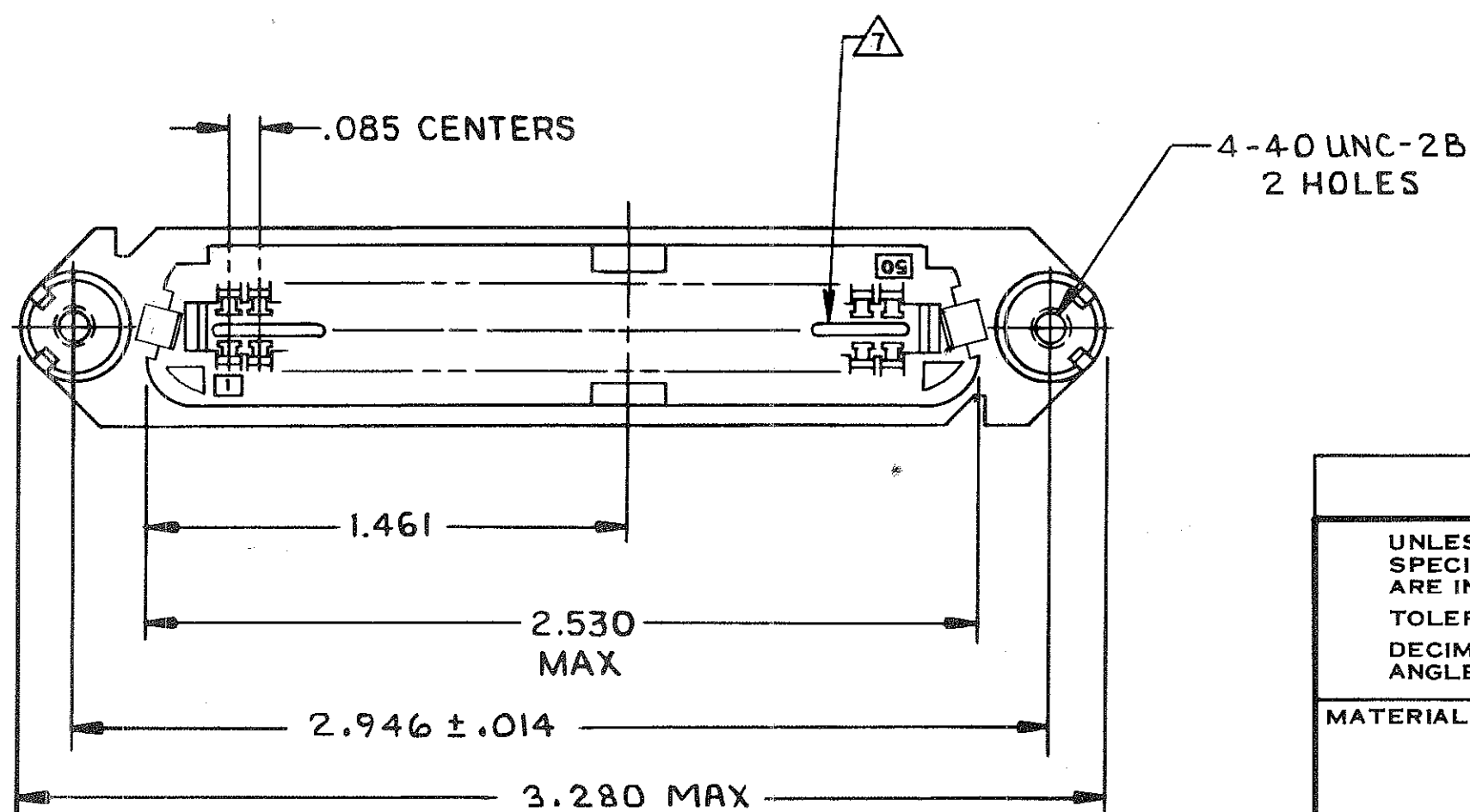


© COPYRIGHT 1973 BY AMP INCORPORATED, HARRISBURG, PA.
 ALL INTERNATIONAL RIGHTS RESERVED. AMP INCORPORATED PRODUCTS
 COVERED BY U. S. AND FOREIGN PATENTS AND/OR PATENTS PENDING.

| REVISIONS | | | | | | |
|-----------|---|------|-----|----------------------------|----------|----------|
| P | F | ZONE | LTR | DESCRIPTION | DATE | APPROVED |
| N | | | N | OBSOLETE - 4 ; ECN AA-5904 | 11-30-89 | LHS TE |
| | | | P | REV; EC QUIC-0040-01 | 3-19-01 | DD EB |



1. THE CONTACT SURFACES OF THE TERMINALS ARE COATED WITH LUBRICANT.
 2. ALL DIMENSIONS SHOWN ARE FOR REFERENCE ONLY UNLESS OTHERWISE SPECIFIED.
 3. MATERIAL: HOUSING, COVER AND CABLE CLAMP - THERMOPLASTIC
 TERMINALS - GOLD OVER NICKEL PLATED HIGH STRENGTH COPPER ALLOY.
 HARDWARE - ZINC PLATED STEEL.
 4. COVER AND HARDWARE SHIPPED UNASSEMBLED.
 5. WIRE SIZE: 22 AWG SOLID OR 22 AWG 7 STRANDS OF COPPER CONDUCTORS. MAX INSULATION DIAMETER OF .045 IS ACCEPTABLE FOR MOST APPLICATIONS.
 6. KIT SHIPPED IN POLY BAG FORM.
- △ CORING MAY OR MAY NOT APPEAR AND IS AT THE DISCRETION OF AMP INCORPORATION.



| | | |
|---------------|-------|----------|
| .500-.550 DIA | BLACK | 552383-1 |
| CABLE RANGE | COLOR | PART NO |

| | | | | | |
|--|---------------------|--------------------------|---|---------------|------------|
| UNLESS OTHERWISE SPECIFIED DIMENSIONS ARE IN INCHES. TOLERANCES ON: DECIMALS ± # ANGLES ± # | CONTRACT NO | | | | |
| | DR | 5-4-81 | | | |
| | MATERIAL | APPD <i>Stephen Doss</i> | NAME | | |
| | FINISH | CHK | KIT, RECEPTACLE, 50 POSITION, C SLOT (CHAMP-LOK, SCREW LOCK, TAPERED COVER) | | |
| | APPD <i>5/10/81</i> | DSGN APPD | SIZE | CODE IDENT NO | DRAWING NO |
| | OTHER APPD | | C | 00779 | 552383 |
| | | | SCALE | SHEET | |
| | | | 2/1 | 1 OF 1 | |

552383