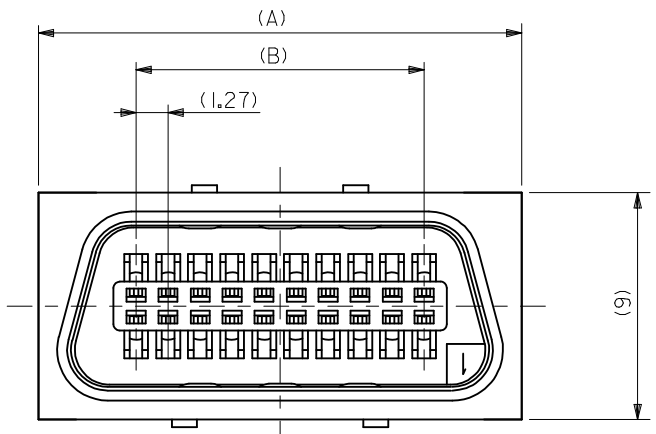
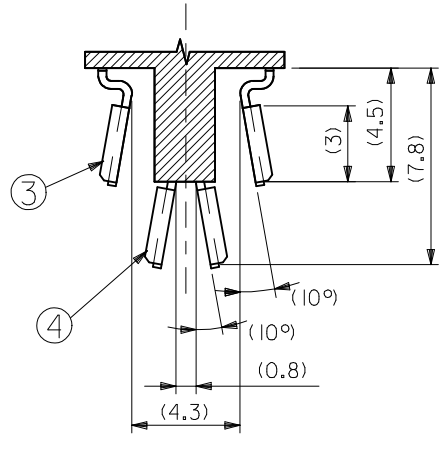


CONFIDENTIAL



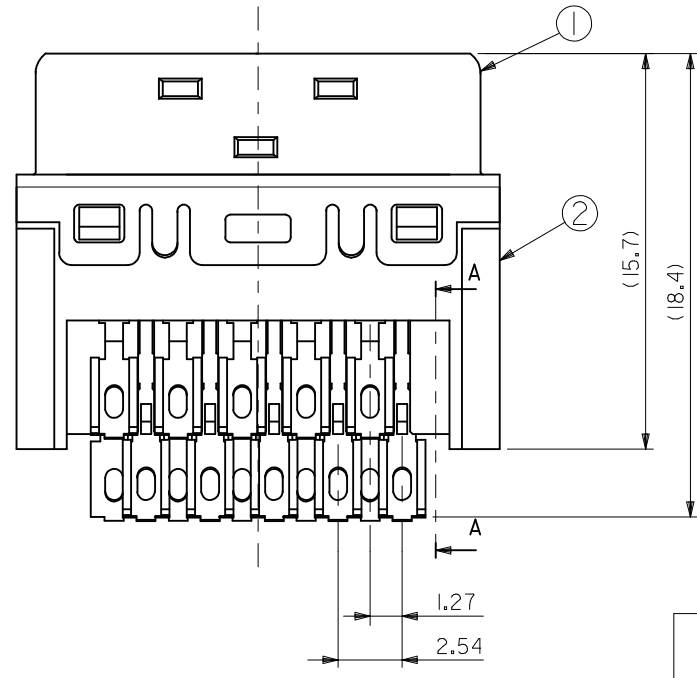
NO.	DESCRIPTION	MATERIAL	FINISH
①	シェル SHELL	鋼 STEEL	ニッケルメッキ NICKEL PLATING
②	ハウジング HOUSING	ポリアミド46 UL94V-0 POLYAMIDE46	色:黒 COLOR:BLACK
③	端子 TERMINAL	りん青銅 PHOSPHOR BRONZE	接点部 CONTACT AREA GOLD:0.3 MICROMETER MIN 半田付け部分 SOLDER TAIL TIN:1.0 MICROMETER MIN
④	端子 TERMINAL		全体下地 UNDER PLATING NICKEL:2.0 MICROMETER MIN



SECTION A-A

30.48	38.23	54306-50 19	50
21.59	29.34	54306-36 19	36
15.24	22.99	54306-26 19	26
11.43	19.3	54306-20 19	20
7.62	15.37	54306-14 19	14

B	A	製品番号 MATERIAL No.	極数 CKT
---	---	----------------------	-----------



REVISED EC NO: J2009-0502 2008/10/07 DRW: NESATO 2009/04/15 CHKD: MATSUMOTO 2009/04/15 APPR: NUKITA 2009/04/15	DESCRIPTION REV	GENERAL TOLERANCES (UNLESS SPECIFIED)		DIMENSION STYLE MM ONLY		SCALE 5:1	DESIGN UNITS METRIC	THIRD ANGLE PROJECTION	
		10 UNDER	±0.2	DRAWN BY T. UENO	DATE 2004/05/19	TITLE 1.27 I/O CONN. PLUG HSG ASSY			
		10 OVER 30 UNDER	±0.25	CHECKED BY M. SASAO	DATE 2004/05/19	MOLEX INCORPORATED			
		30 OVER	±0.3	APPROVED BY M. SASAO	DATE 2004/05/19				
ANGULAR ±3 °		DRAFT WHERE APPLICABLE MUST REMAIN WITHIN DIMENSIONS		MATERIAL NO. SEE CHART		DOCUMENT NO. SD-54306-001		SHEET NO. 1 OF 1	