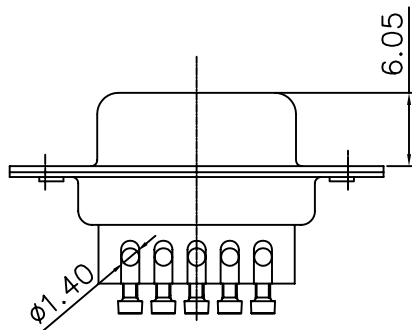
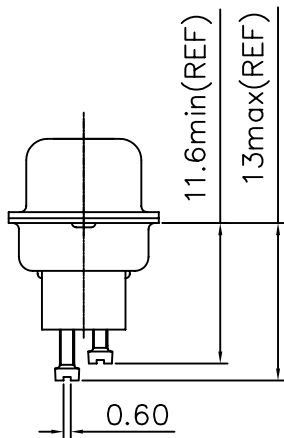
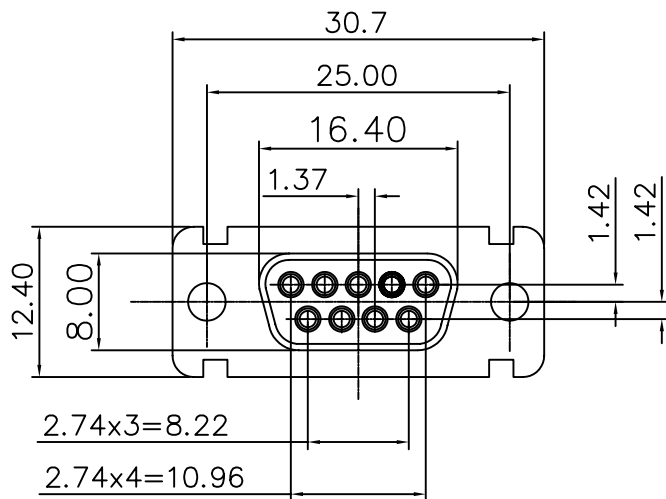


This document is the property of Amphenol Corporation and is delivered on the express condition that it is not to be disclosed, reproduced or used, in whole or in part, for manufacture or sale by anyone other than Amphenol Corporation without its prior consent, & that no right is granted to disclose or to use any information in this document.



REVISIONS				
SYM	ECN	DESCRIPTION	DATE	APPROVED
A1			06/12/07	

D-SUB TECHNICAL DATA

SHELL :Steel 2.5um (100u") min tin over 1.25um (50u") min nickel
 BODY : Glass filled thermoplastic.
 Flame retardant to UL94 V-0 Color Black
 CONTACTS : brass.
 0.1um(4u") min gold over 1.25um (50u") min nickel
 SCREWLOCK : brass. 6um up to 10um tinned over nickel 2um up to 3um
 ELECTRICAL : Voltage rating : 300 V RMS at 50 Hz
 withstanding volatage : 1000V RMS at 50Hz
 Current rating: 7.5A.
 Insulation resistance >5000 M Ohms
 Contact resistance 20 mOhms max.
 CLIMATIC : Temperature range -55 °C up to 85°C ,peak at 125°C
 MARKING : Amphenol-...(Series No.)
 Commercial reference
 Manufacturing date

PRODUCT CODE

L 77D E 09 S ST

L: RoHS Compliance

77D: tinned shel for receptable

shell size: E

configuration: 09

contact termination:
ST=Screw termination

contact type:
S=Female

UNLESS OTHERWISE SPECIFIED TOLERANCES		APPROVAL		DATE
U.S.	METRIC	DRAWN	Iss. peng	06/12/07
.X +/-	0.50	CHECKED	kk.wang	06/12/07
.XX +/-	0.30	CHECKED		
.XXX +/-	0.20			
FRACTIONS +/-				
ANGLES +/-	2'			
FOR MATERIALS AND FINISHES SEE NOTES		DRAWING FILE :		
REMOVE SHARP EDGES		ANGLE OF PROJECTION		
DIMENSIONS				
U.S.	INCHES			
METRIC	MM			

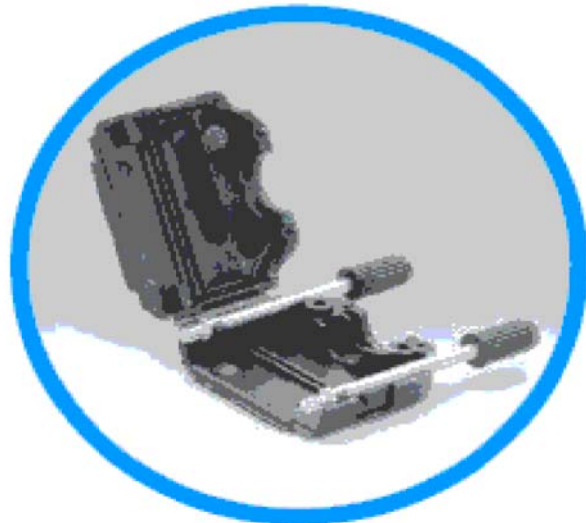
Amphenol		
TITLE machined contact, D-ST series		
SIZE	DRAWING NO.	REV.
A4	C L77DE09SST	A
SCALE	NONE	SHEET 1 OF 1

This document is the property of Amphenol Corporation and is delivered on the express condition that it is not to be disclosed, reproduced or used, in whole or in part, for manufacture or sale by anyone other than Amphenol Corporation without its prior consent, & that no right is granted to disclose or to use any information in this document.

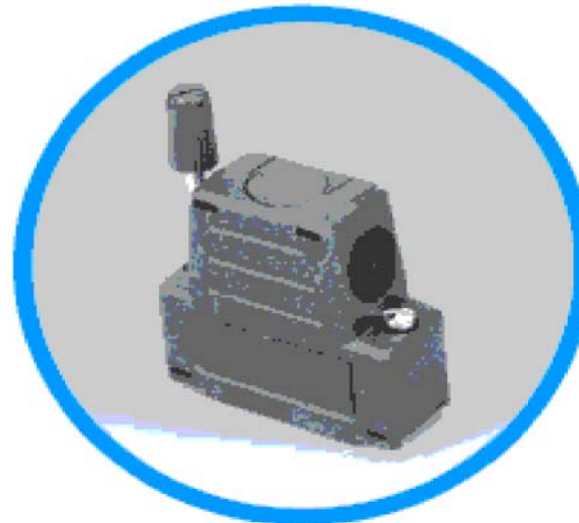
REVISIONS

SYM	ECN	DESCRIPTION	DATE	APPROVED

Plastic hoods



DPPK Straight cable entry



DSSK Angled cable entry

Kit connector+hood option:
(See following description)

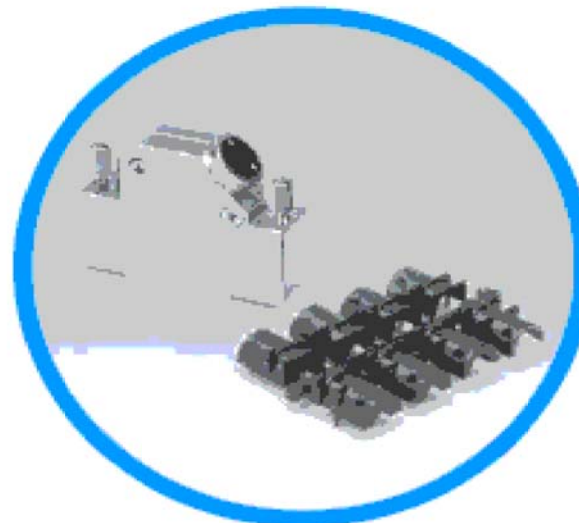
X X ST X X

- 1 = DPPK
- 2 = DSSK
- 3 = DTZK
- 4 = DVZK
- Blank: standard type

Metallic hoods



DTZK Straight cable entry



DVZK Angled cable entry

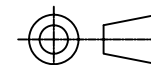
APPROVAL	DATE
DRAWN Terry.sie	4/19/07
CHECKED Mh.wang	4/19/07
CHECKED	

Amphenol

DRAWING FILE :

TITLE
Stamped and Formed connector, SD series

ANGLE OF PROJECTION



SIZE DRAWING NO. REV.

A4 C STXX

SCALE NONE SHEET 1 OF 1

METALL MM