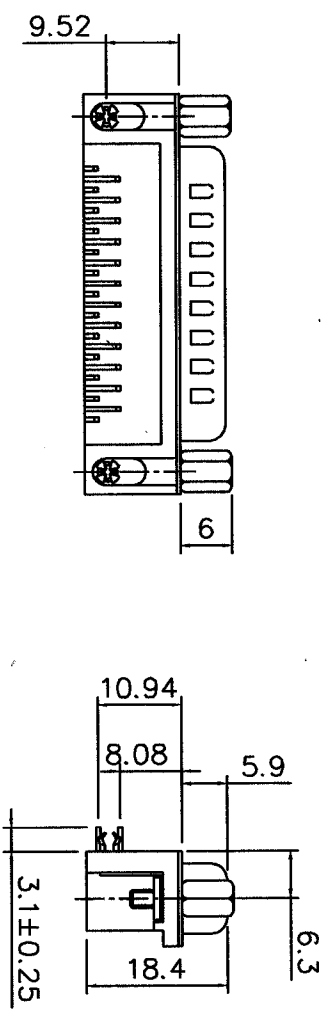
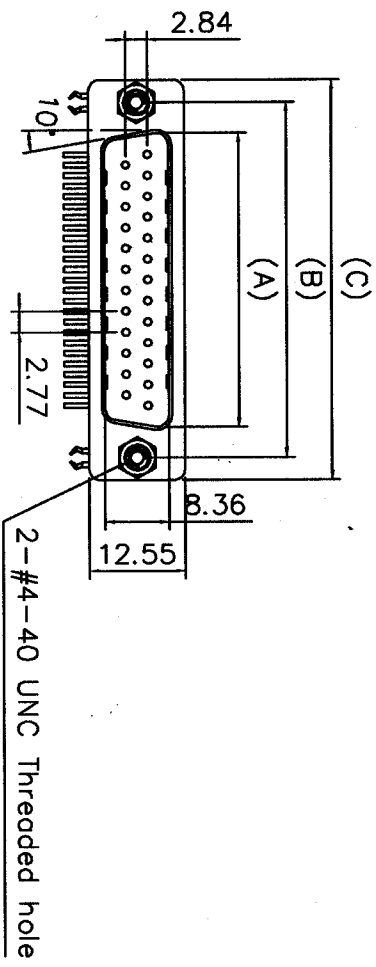


This document is the property of Amphenol Corporation and is delivered on the express condition that it is not to be disclosed, reproduced or used, in whole or in part, for the manufacture or sale by anyone other than Amphenol Corporation without its prior consent, and that no right is granted to disclose or to use any information in this document.

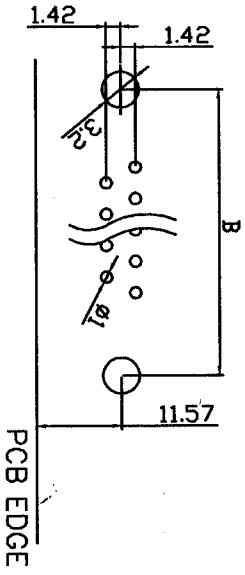
MALE

Specifications

Contact Resistance: 30m ohms max. at DC 100mA
 Insulator Resistance: 1000M ohms min. at DC 500V
 Current Rating: 5 AMP
 Dielectric Withstanding Voltage: AC 1000V For 1 minute
 Operating Temperature: -55°C ~ +150°C
 resist to short term (30s) at 260°C
 Shell : steel, tin plated
 Contact: Brass , Selective gold flash
 Housing: Glass-filled thermoplastic (UL 94V-0)



RECOMMENDED PCB LAYOUT



Size	part number	A	B	C
09	L17HTNCP4F1C	16.92	24.99	30.81
15	L17HTNAP4F1C	25.25	33.32	39.14
25	L17HTNBP4F1C	38.96	47.04	53.0.4
37	L17HTNCP4F1C	55.42	63.50	69.32

TOLERANCE (mm)	APPROVALS	DATE	TITLE
X 0.3	CR	14/11/01	17HT SERIES D-SUB CONNECTORS PCB RIGHT ANGLE FOOTPRINT: 8.08 mm PLUG
X.X 0.1	J.F.L.	14/11/01	
X.XX 0.05	J.F.L.	14/11/01	

UNIT: MM	SIZE: DRAWING: A4	SCALE: N.A.	SHEET: 1 of 1
L17HTN-P4F1C		Dole Plant	
REV: A		Scale N.A. Sheet 1 of 1	