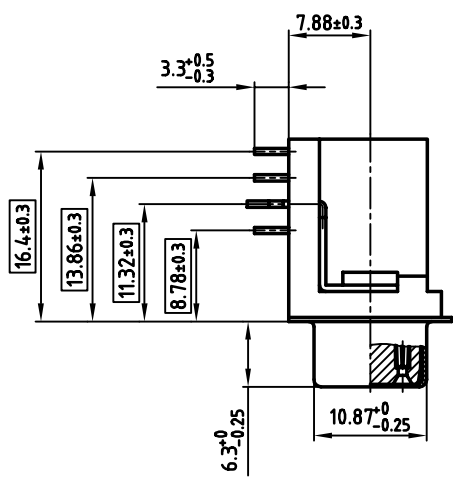
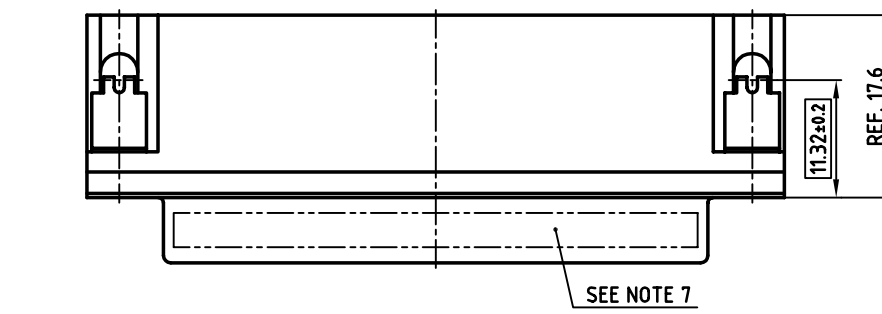
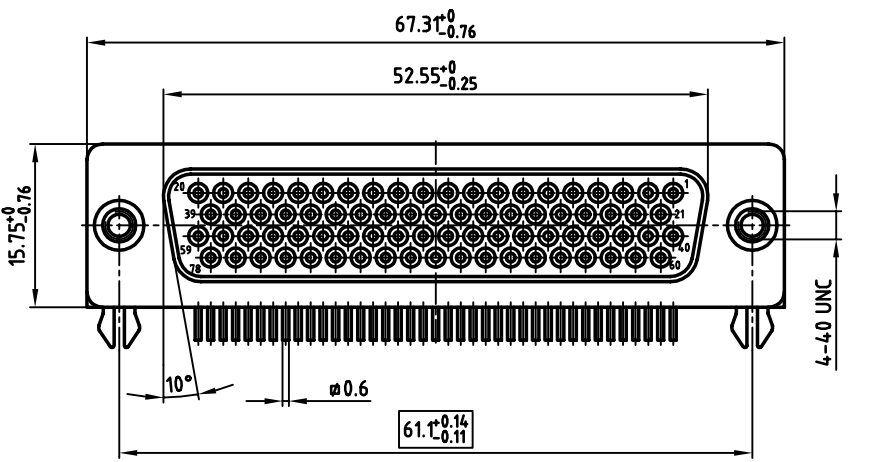
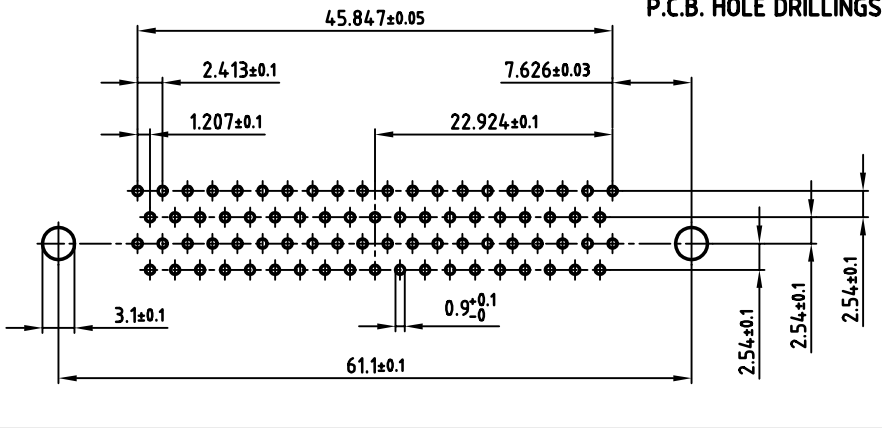


used for: D-SUB HD

P.C.B. HOLE DRILLINGS



- NOTES:**
- METALSHELLS: STEEL; min. 320µ" TIN
  - INSULATORS: PBT GF UL 94 V-0, BLACK
  - CONTACTS: COPPER ALLOY  
PLATING: 30µ" HARD GOLD OVER min. 50µ" NICKEL
  - THREADED INSERT: COPPER ALLOY; min. 200µ" TIN over 80µ" NICKEL
  - PCB-SNAP: COPPER ALLOY; min. 200µ" TIN over 80µ" NICKEL  
PCB-HOLE:  $\phi 3.1 \pm 0.1$ ; PCB THICKNESS 1.6mm
  - MAXIMUM TORQUE VALUE FOR THREAD: 6" LBS
  - CONNECTOR IS PART MARKED: DLH5XS8CK53X CONEC Y/WW
  - = CRITICAL DIMENSION

APPROVAL # FREIGABE # DEBLOCAGE # AUTOR/ZACON # APPROVAL

CUSTOMER APPROVAL DATE:

NAME: TITLE:

COMPANY NAME:

APPROVAL # FREIGABE # DEBLOCAGE # AUTOR/ZACON # APPROVAL

THIS DRAWING MAY NOT BE COPIED OR REPRODUCED IN ANY WAY, AND MAY NOT BE PASSED ON TO A THIRD PARTY, WITHOUT WRITTEN PERMISSION. OWNERSHIP AND COPYRIGHT OF CONEC GmbH DO NOT ALTER CAD DRAWING BY HAND

rev.	description	date	name

tolerance

scale: 2:1

material: SEE NOTES

title: **D-SUB HD FEMALE 90°**  
78pos. SOLDER PIN ANGLED 0.350inch with threaded insert and clip

dwg no: AutoCAD 2000 DIN-A

**16K1A883** 3 sh:1/1

part no: **DLH5XS8CK53X**

