

REFERENCE SPECIFICATIONS

-NFC 93425 (in compliance with HE 508)

PHYSICAL CHARACTERISTICS

-INSULATOR MATERIAL: THERMOSET UL94V0

-CONTACT MATERIAL: BRASS
GOLD OVER NICKEL

-ACCESSORIES: STEEL FOR METAL BRACKETS
Cadmium plated, yellow passivation
THERMOPLASTIC UL94V0 FOR PLASTIC BRACKETS

BRASS FOR OTHERS ACCESSORIES
Cadmium plated, yellow passivation

-SHELLS: STEEL
Cadmium plated, yellow passivation

ELECTRICAL CHARACTERISTICS

-NOMINAL CURRENT: 7.5A

-CONTACT RESISTANCE: <=7.3 m Ohms

-CONTACT/CONTACT : >=1000 V

-CONTACT/GROUND : >=1200 V

-INSULATION RESISTANCE: >=5000 MOhms

ENVIRONMENTAL CHARACTERISTICS

- CLIMATIC CATEGORY: 55/155/56

TEMPERATURE RANGE -55°C TO +155°C

DAMP HEAT STEADY STATE 56 DAYS

SALT SPRAY 48 HOURS

MECHANICAL CHARACTERISTICS

RETENTION AGAINST TORQUE: -Threaded insert:0.7 N.m min

-Female screw:0.5 N.m min

DBML25S500MN

Series

Shell size: **E A B C D**
(see sheet 3)

Front accessory definition
(see sheet 2)

- Blank** :without accessory
- L** :threaded insert M3
- O** :threaded insert UNC 4-40
- V** :female screw UNC 4-40

Layout of contacts (see sheet 3)

9,15,25,37,50

Contacts

S :Socket

Termination type

5 Right angle/Europe standard

Plating

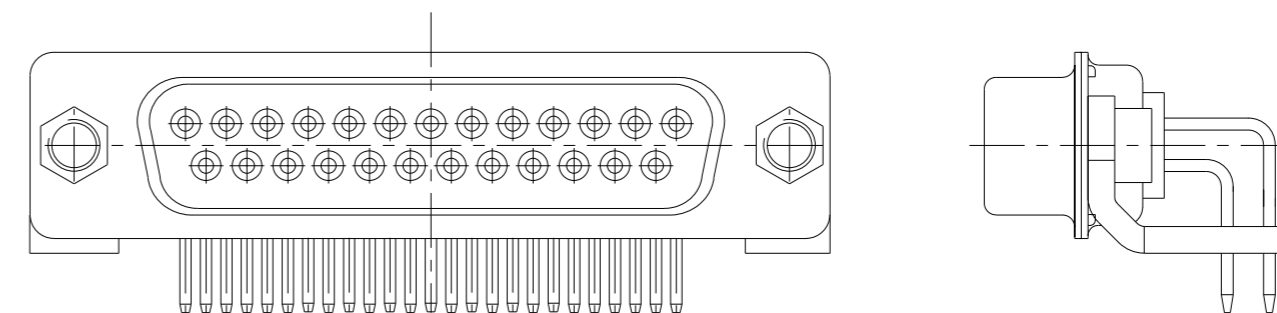
00 Right angle 500 matings/unmatings

43 Right angle 500 matings/unmatings
for harsh environment

PCB accessories definition(see sheet 2)

- Blank** :Plastic brackets
- C** :Without brackets
- M** :Metal brackets

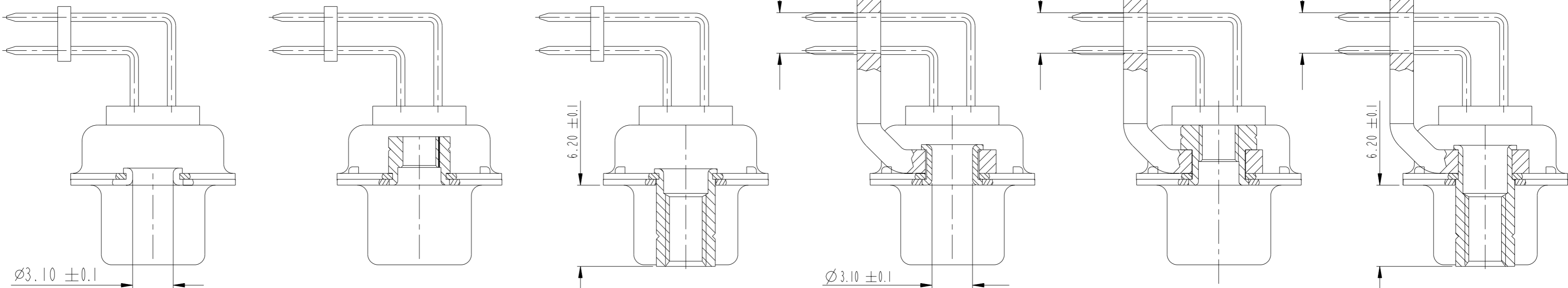
Obligatory for HE508



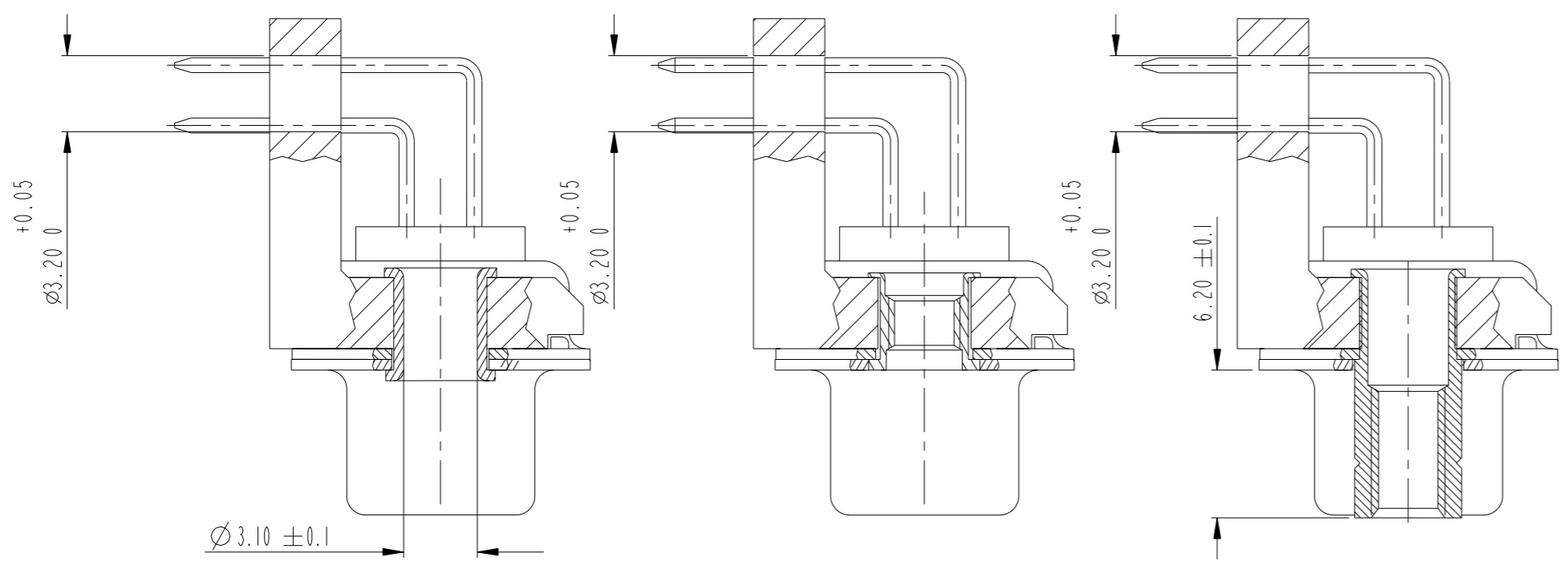
25 WAY FOR EXAMPLE

rev	ecn no	dr	date
A	LS06-0174	MPE	2006/11/14
-	-	-	-
-	-	-	-
-	-	-	-
-	-	-	-
-	-	-	-

www.fciconnect.com		surface -	tolerance std	projection	mm	
		ISO 1302	ISO 406 ISO 1101		Scale	
		TOLERANCES UNLESS OTHERWISE SPECIFIED			2:1	
Dr	M PESSON	2006/11/14	ANGULAR	0.X	±0.3	size A2
Eng	P LEGARE	2006/11/14	LINEAR	0.XX	±0.1	ECN LS06-0174
Chr	P LEGARE	2006/11/14	0° ±2°	0.XXX	±0.05	Spec ref
Appr	P LEGARE	2006/11/14	Product family			
		title SUB FEMALE DM HE508 series		dwg no	C01-8637-1748	
		with right angle contact		Rev.	A	
catalog no		CUSTOMER		sheet 1 of 9		



FRONT ACCESSORY	Blank Without	L insert M3 O insert UNC 4.40	V female screw UNC 4.40	Blank Without	L insert M3 O insert UNC 4.40	V female screw UNC 4.40
PCB ACCESSORIES	C Without	C Without	C Without	M Metal bracket	M Metal bracket	M Metal bracket



FRONT ACCESSORY	Blank Without	L insert M3 O insert UNC 4.40	V female screw UNC 4.40
PCB ACCESSORIES	Blank Plastic bracket	Blank Plastic bracket	Blank Plastic bracket

Copyright FCI. FCJ

www.fciconnect.com		surface ISO 1302	tolerance std ISO 406 ISO 1101	projection	mm
		TOLERANCES UNLESS OTHERWISE SPECIFIED		size A2	Scale 2:1
Dr	M PESSON	2006/11/14	ANGULAR	0.X ±0.3	
Eng	P LEGARE	2006/11/14	LINEAR	0.XX ±0.1	
Chr	P LEGARE	2006/11/14	0° ±2°	0.XXX ±0.05	ECN LS06-0174
Appr	P LEGARE	2006/11/14	Product family	-	Spec ref
FCJ		SUB FEMALE DM HE508 series		dwg no	Rev.
		with right angle contact		C01-8637-1748	A
		catalog no		CUSTOMER	sheet 2 of 9

SCALE:4

PART NUMBER	FRONT ACCESSORY	PCB ACCESSORY
D*MxxS500CN	without	without
D*MLxxS500CN	insert M3	without
D*MOxxS500CN	insert UNC 4.40	without
D*MVxxS500CN	female screw UNC 4.40	without
D*MxxS500MN	without	Metal bracket
D*MLxxS500MN	insert M3	Metal bracket
D*MOxxS500MN	insert UNC 4.40	Metal bracket
D*MVxxS500MN	female screw UNC 4.40	Metal bracket
D*MxxS500N	without	Plastic bracket
D*MLxxS500N	insert M3	Plastic bracket
D*MOxxS500N	insert UNC 4.40	Plastic bracket
D*MVxxS500N	female screw UNC 4.40	Plastic bracket

shell size	Contact number
*	XX
E	09
A	15
B	25
C	37
D	50

PART NUMBER	FRONT ACCESSORY	PCB ACCESSORY
D*MxxS543CN	without	without
D*MLxxS543CN	insert M3	without
D*MOxxS543CN	insert UNC 4.40	without
D*MVxxS543CN	female screw UNC 4.40	without
D*MxxS543MN	without	Metal bracket
D*MLxxS543MN	insert M3	Metal bracket
D*MOxxS543MN	insert UNC 4.40	Metal bracket
D*MVxxS543MN	female screw UNC 4.40	Metal bracket
D*MxxS543N	without	Plastic bracket
D*MLxxS543N	insert M3	Plastic bracket
D*MOxxS543N	insert UNC 4.40	Plastic bracket
D*MVxxS543N	female screw UNC 4.40	Plastic bracket

CROSS REFERENCES HE508 and FCI

HE508 P/N	FCI P/N	FRONT ACCESSORY	PCB ACCESSORY
HE508PxxVS6	D*MxxS500N	without	Plastic bracket
HE508MxxVS6	D*MxxS500MN	without	Metal bracket



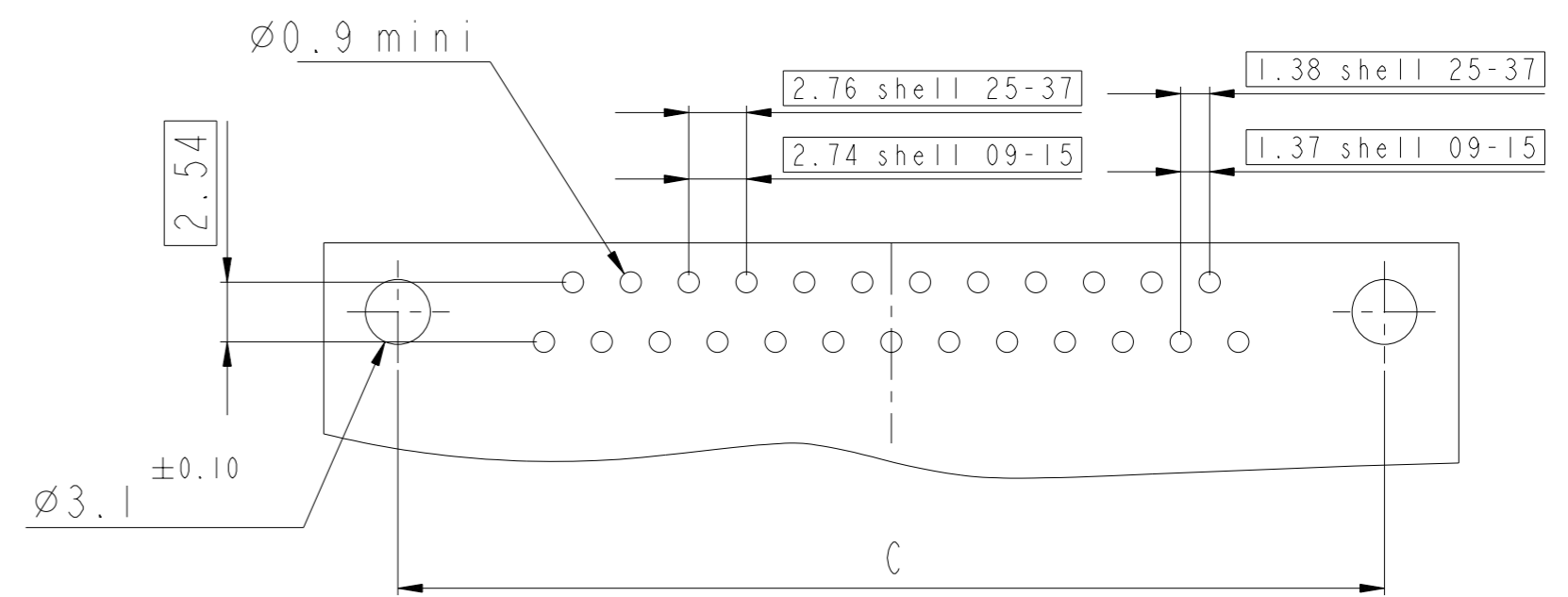
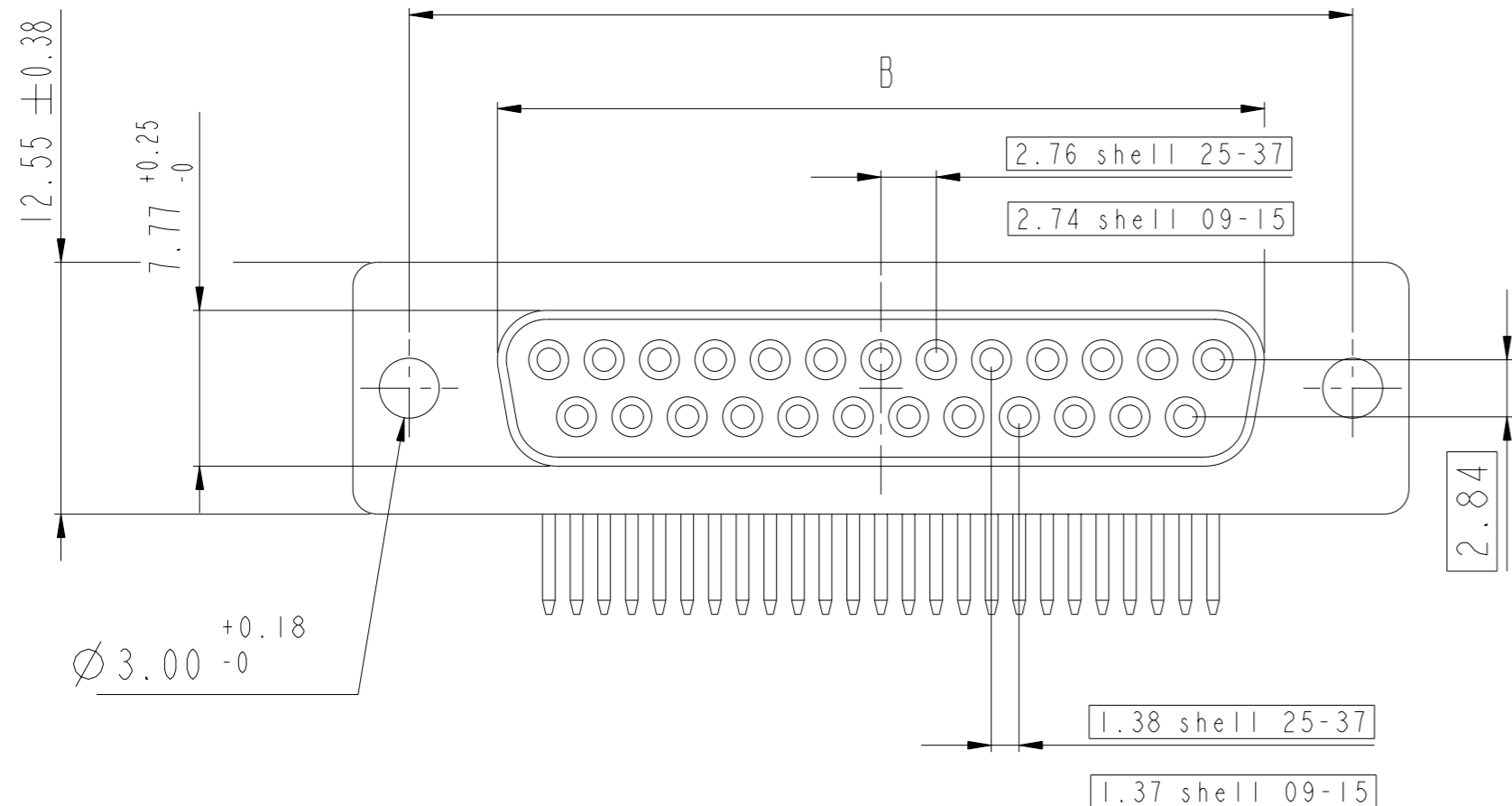
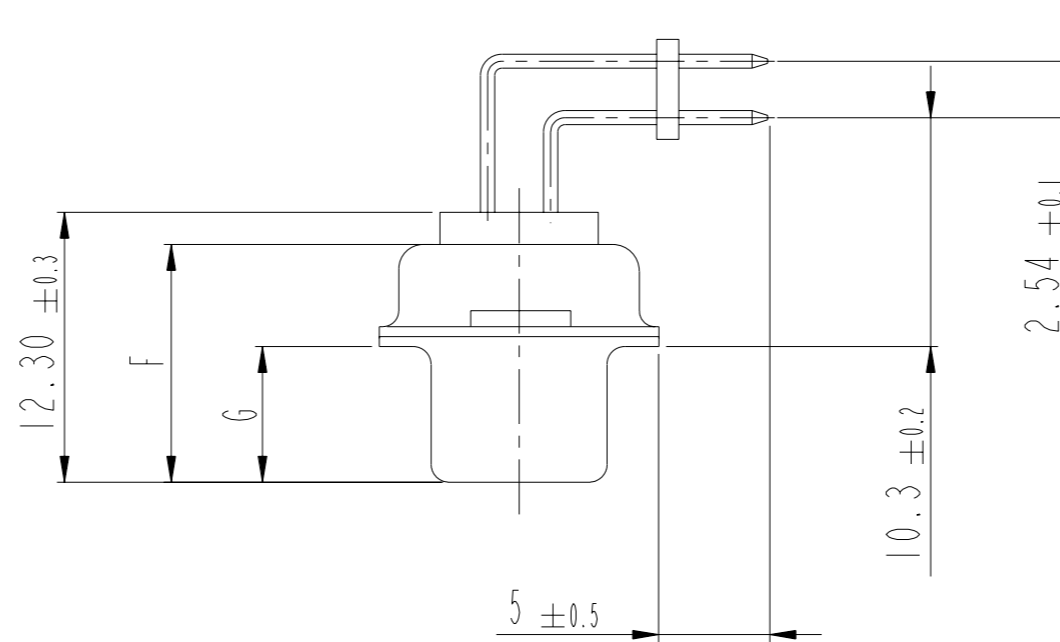
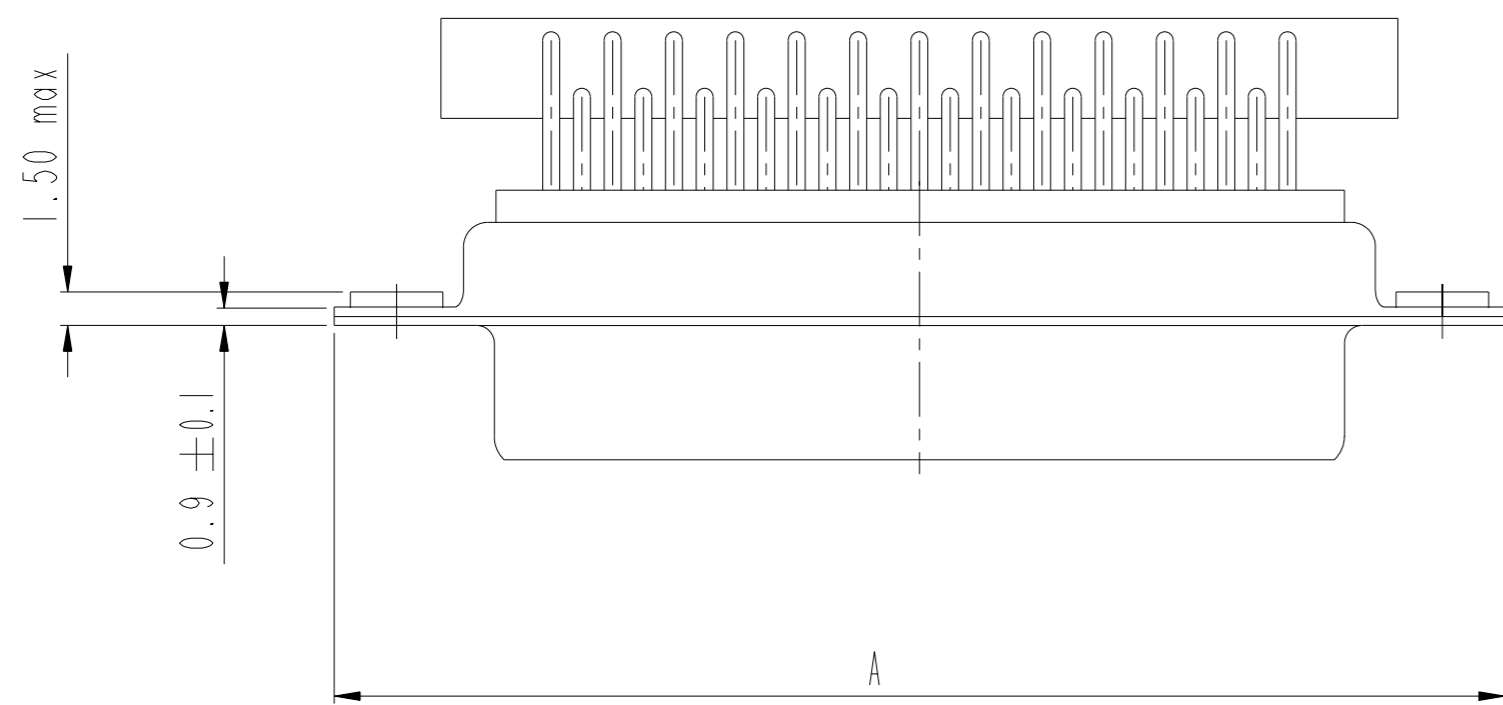
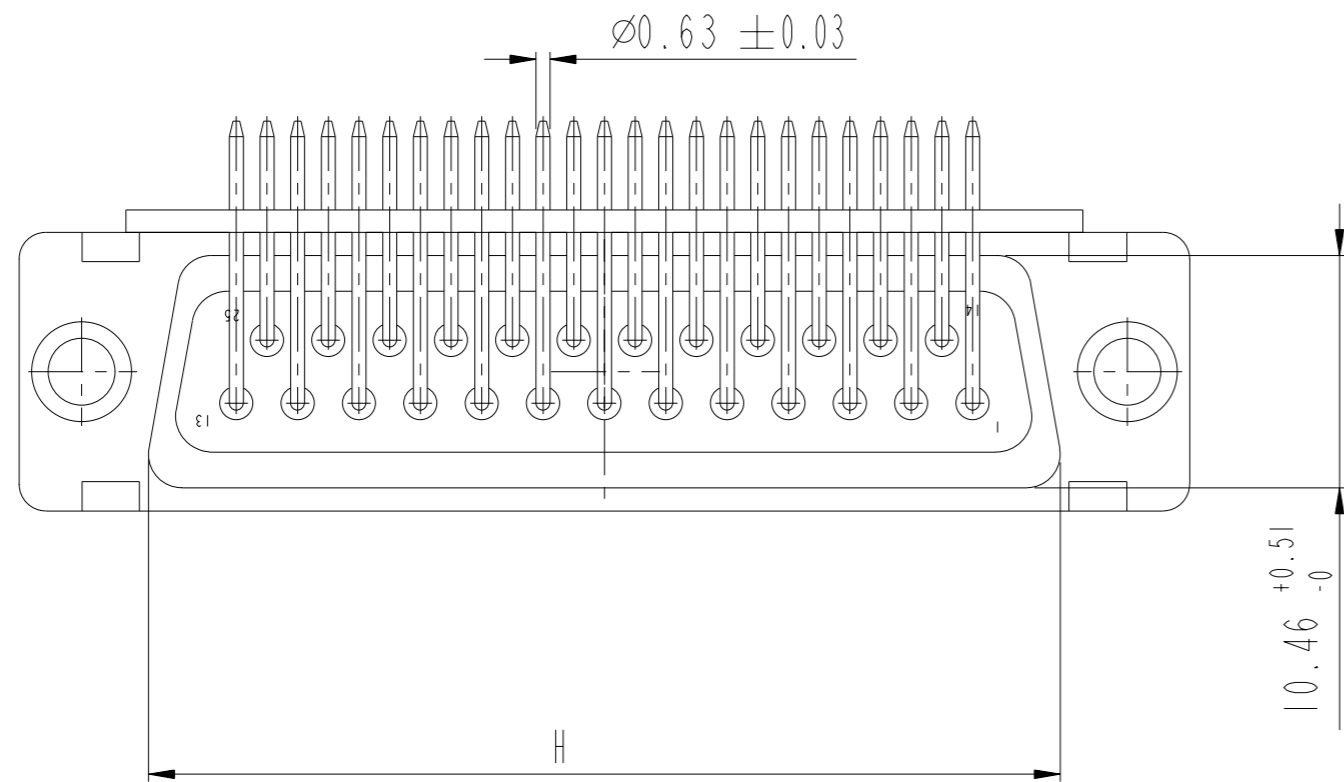
Copyright FCI.

www.fciconnect.com			surface ISO 1302	tolerance std ISO 406 ISO 1101	projection mm
			TOLERANCES UNLESS OTHERWISE SPECIFIED		mm
Dr	M PESSON	2006/11/14	ANGULAR	0.X ±0.3	size A2
Eng	P LEGARE	2006/11/14	LINEAR	0.XX ±0.1	Scale 2:1
Chr	P LEGARE	2006/11/14	0° ±2°	0.XXX ±0.05	ECN LS06-0174
Appr	P LEGARE	2006/11/14	Product family	-	Spec ref
			SUB FEMALE DM HE508 series with right angle contact		dwg no C01-8637-1748 Rev. A
catalog no			CUSTOMER		sheet 3 of 9

DIMENSION FOR SHELL E,A,B,C WITHOUT BRACKET

Dimensions are in millimeters

Shell size	Number of contacts	A ^{+0.76} ₋₀	B ^{+0.25} ₋₀	C ±0.12	F ^{+0.57} ₋₀	G ^{+0.25} ₋₀	H ^{+0.51} ₋₀
E	09	30.43	16.21	24.99	10.64	6.05	19.02
A	15	38.76	24.54	33.32	10.64	6.05	27.25
B	25	52.65	38.25	47.04	10.64	6.05	41.02
C	37	68.94	54.71	63.50	10.64	6.05	57.45



LAYOUT DIMENSIONS

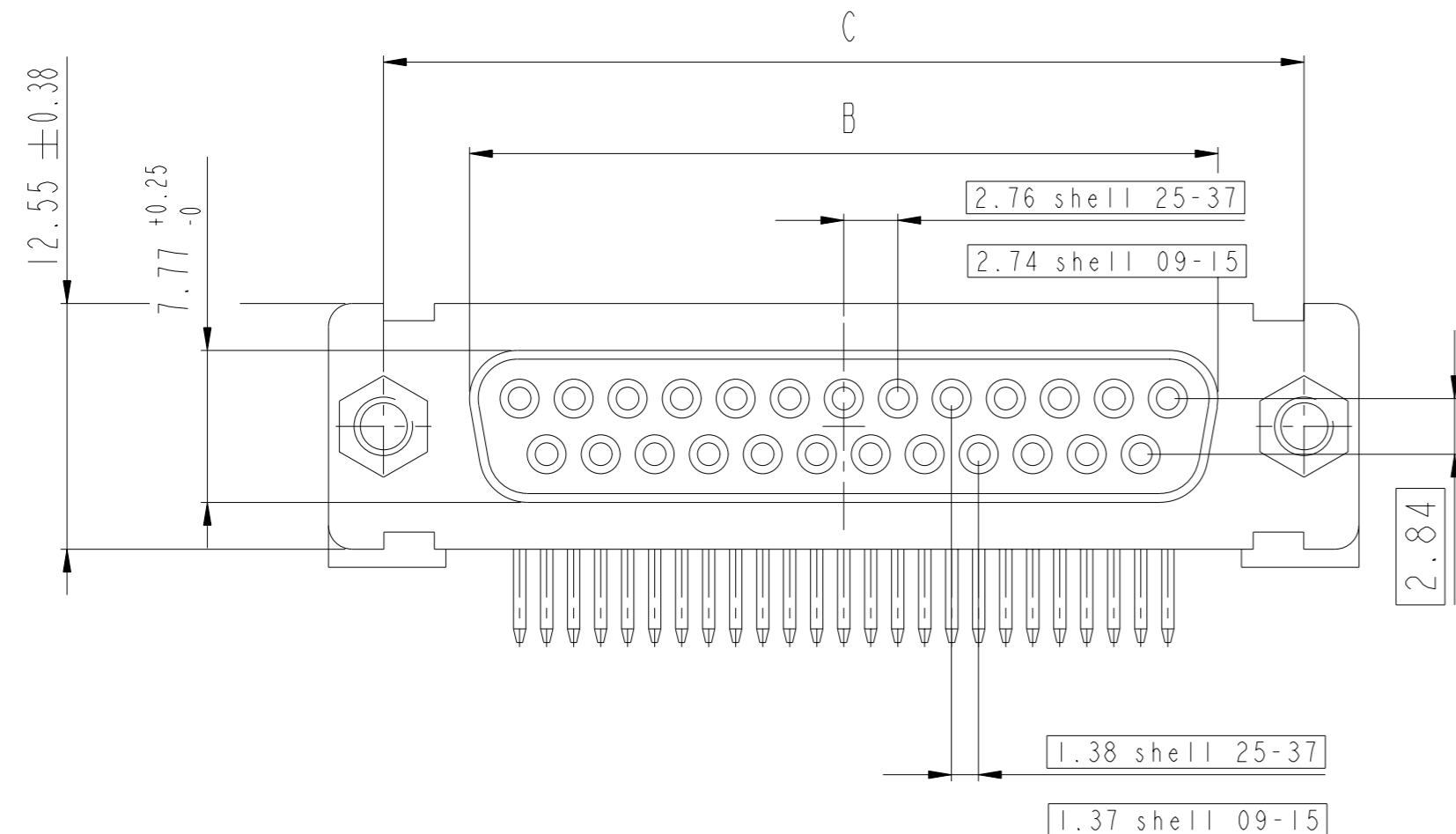
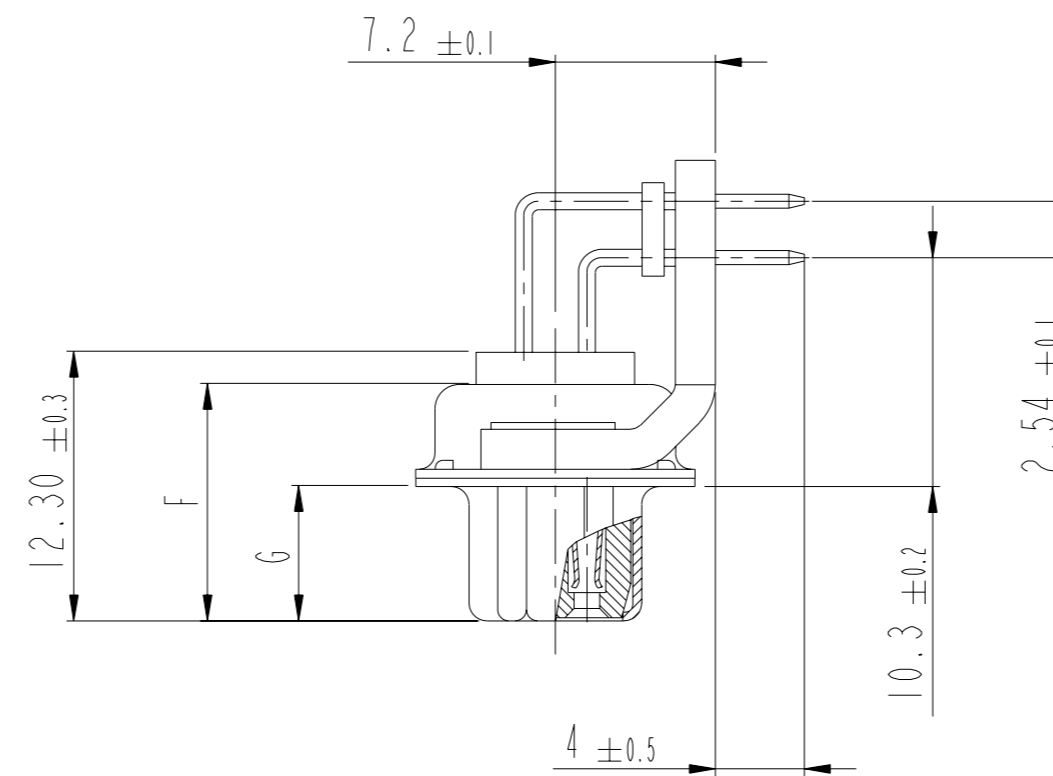
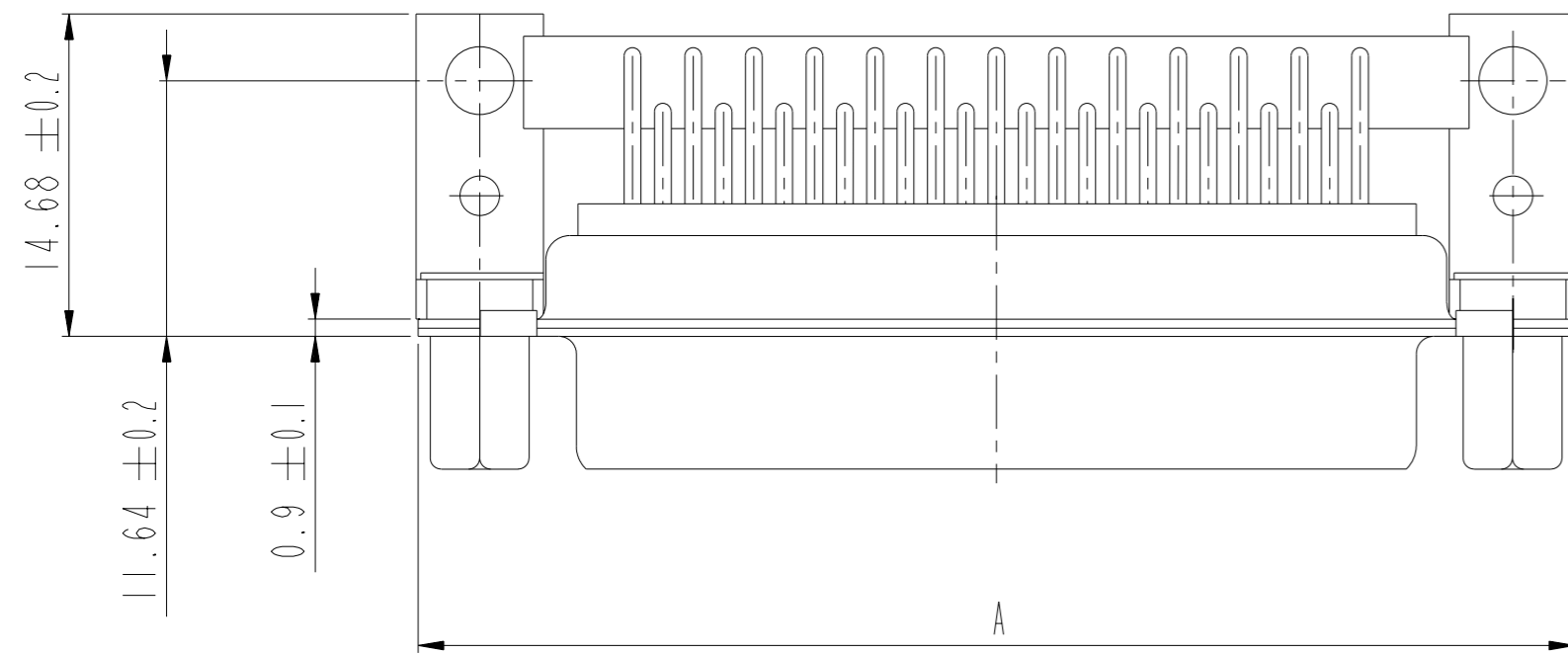
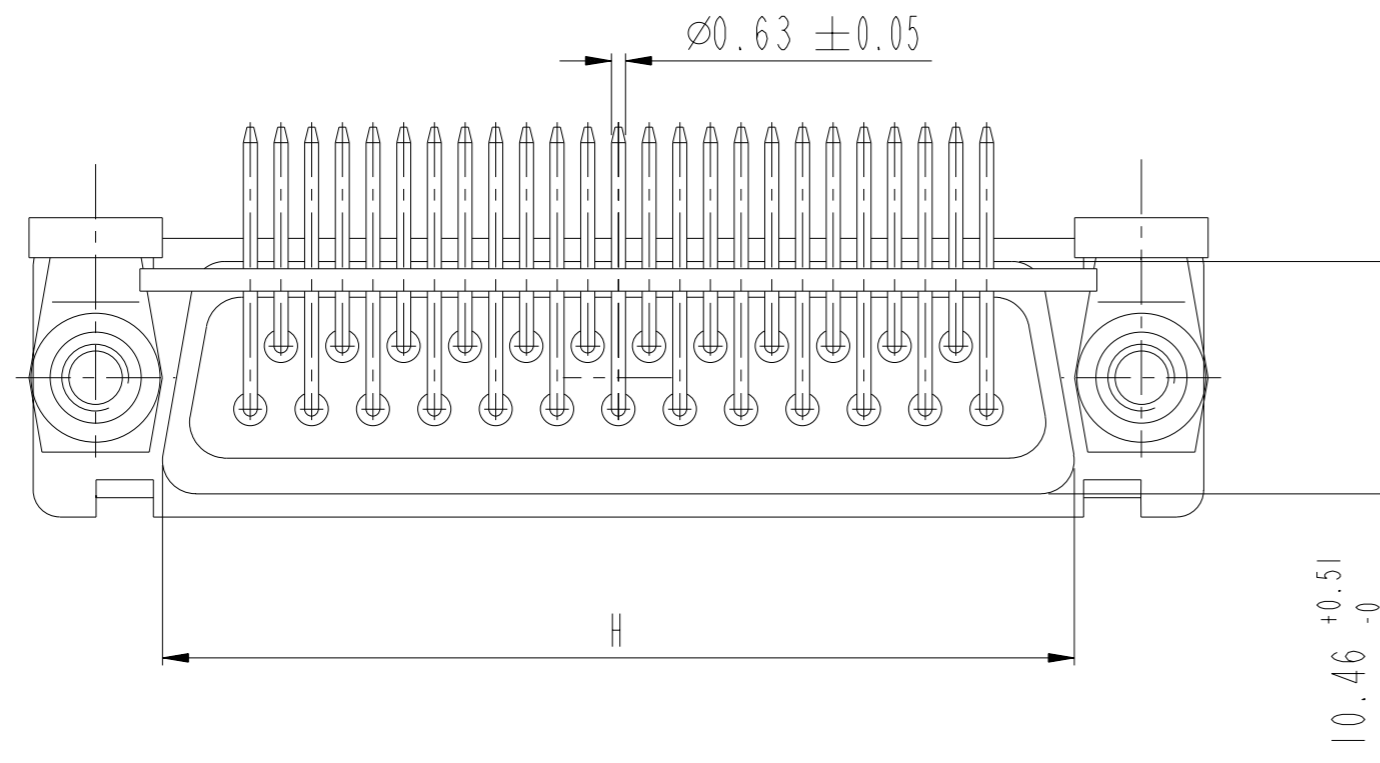
SCALE: 3

www.fciconnect.com		surface ISO 1302	tolerance std ISO 406 ISO 1101	projection mm
		TOLERANCES UNLESS OTHERWISE SPECIFIED		mm
Dr	M PESSON	2006/11/14	ANGULAR	size A2
Eng	P LEGARE	2006/11/14	LINEAR	Scale 2:1
Chr	P LEGARE	2006/11/14	0° ± 2°	ECN LS06-0174
Appr	P LEGARE	2006/11/14	Product family	- Spec ref
TITLE		SUB FEMALE DM HE508 series		Rev. A
catalog no		-		sheet 4 of 9

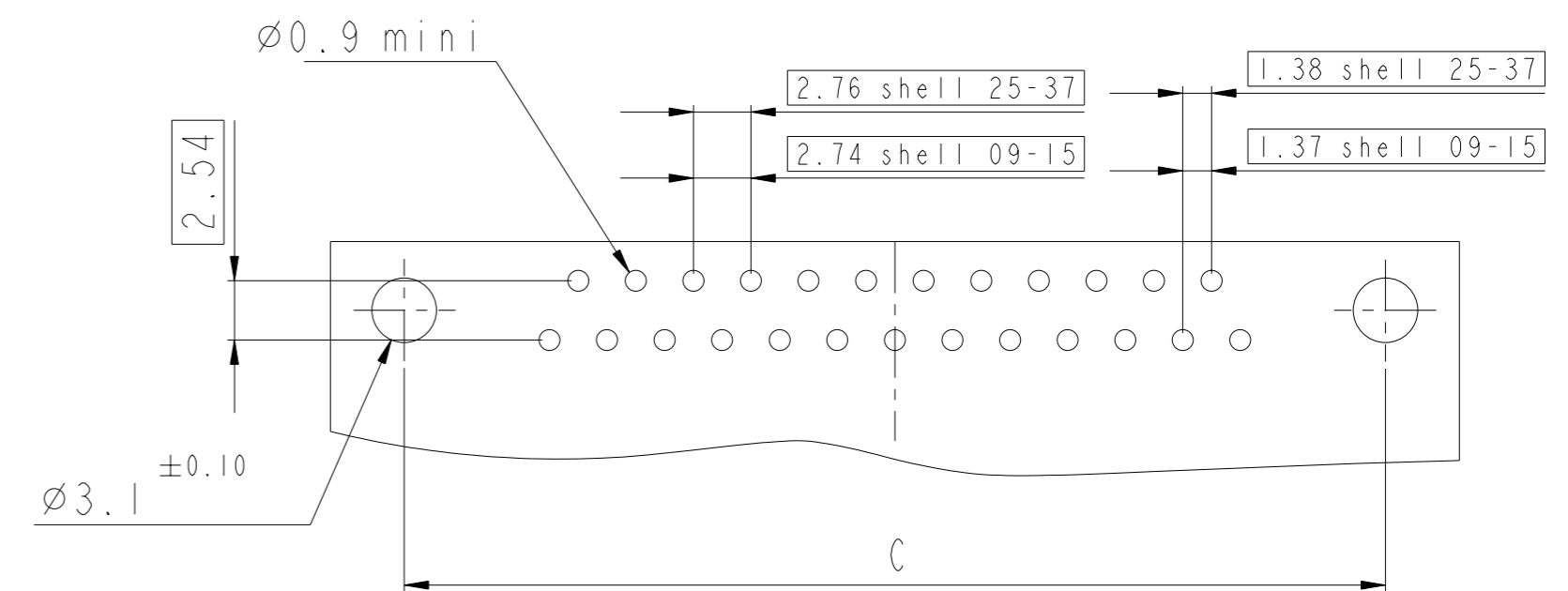
DIMENSION FOR SHELL SIZE E,A,B,C WITH METAL BRACKETS

Dimensions are in millimeters

Shell size	Number of contacts	A ^{+0.76} / ₋₀	B ^{+0.25} / ₋₀	C ±0.12	F ^{+0.57} / ₋₀	G ^{+0.25} / ₋₀	H ^{+0.51} / ₋₀
E	09	30.43	16.21	24.99	10.64	6.05	19.02
A	15	38.76	24.54	33.32	10.64	6.05	27.25
B	25	52.65	38.25	47.04	10.64	6.05	41.02
C	37	68.94	54.71	63.50	10.64	6.05	57.45



LAYOUT DIMENSIONS



SCALE: 3

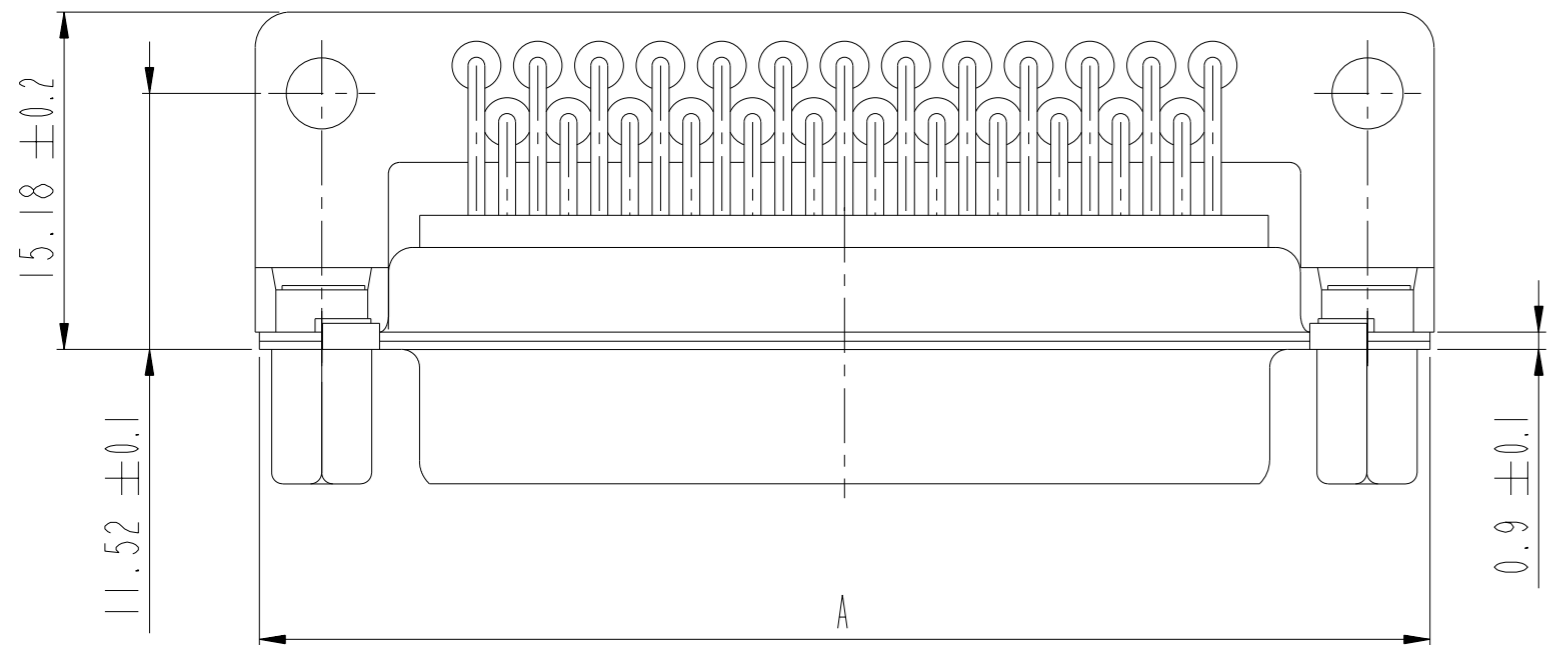
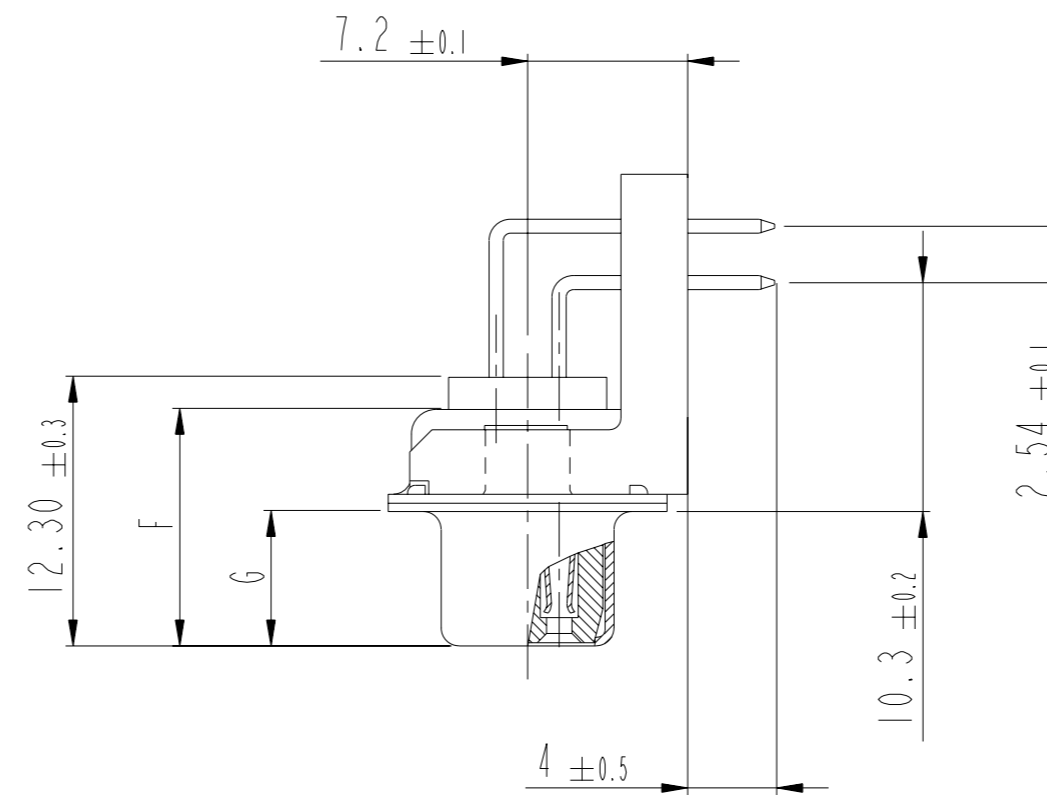
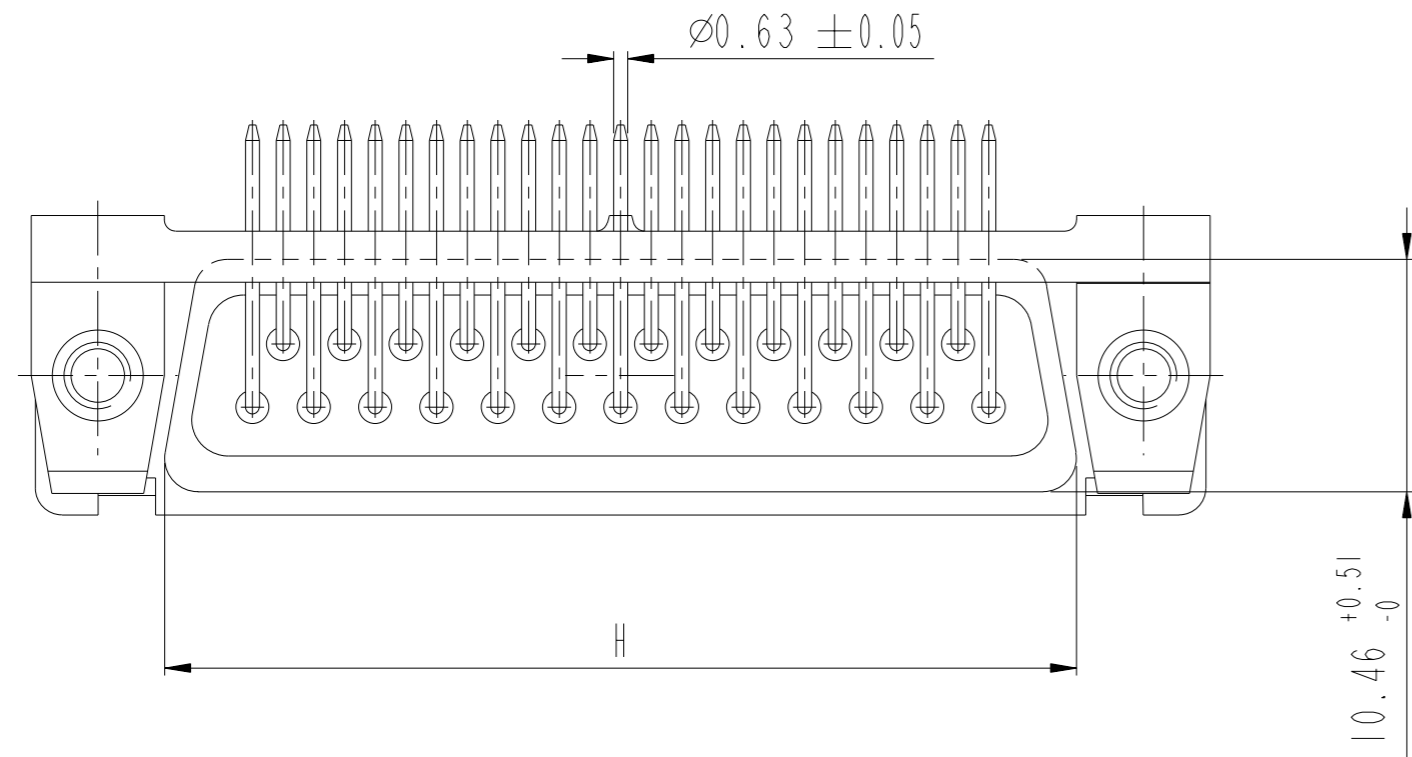
www.fciconnect.com		surface ISO 1302	tolerance std ISO 406 ISO 1101	projection	mm
		TOLERANCES UNLESS OTHERWISE SPECIFIED		size A2	Scale 2:1
Dr	M PESSON	2006/11/14	ANGULAR	0.X	±0.3
Eng	P LEGARE	2006/11/14	LINEAR	0.XX	±0.1
Chr	P LEGARE	2006/11/14	0° ±2°	0.XXX	±0.05
Appr	P LEGARE	2006/11/14	Product family	- Spec ref	
SUB FEMALE DM HE508 series			C01-8637-1748		Rev. A
with right angle contact			CUSTOMER		sheet 5 of 9

Copyright FCi. FCi

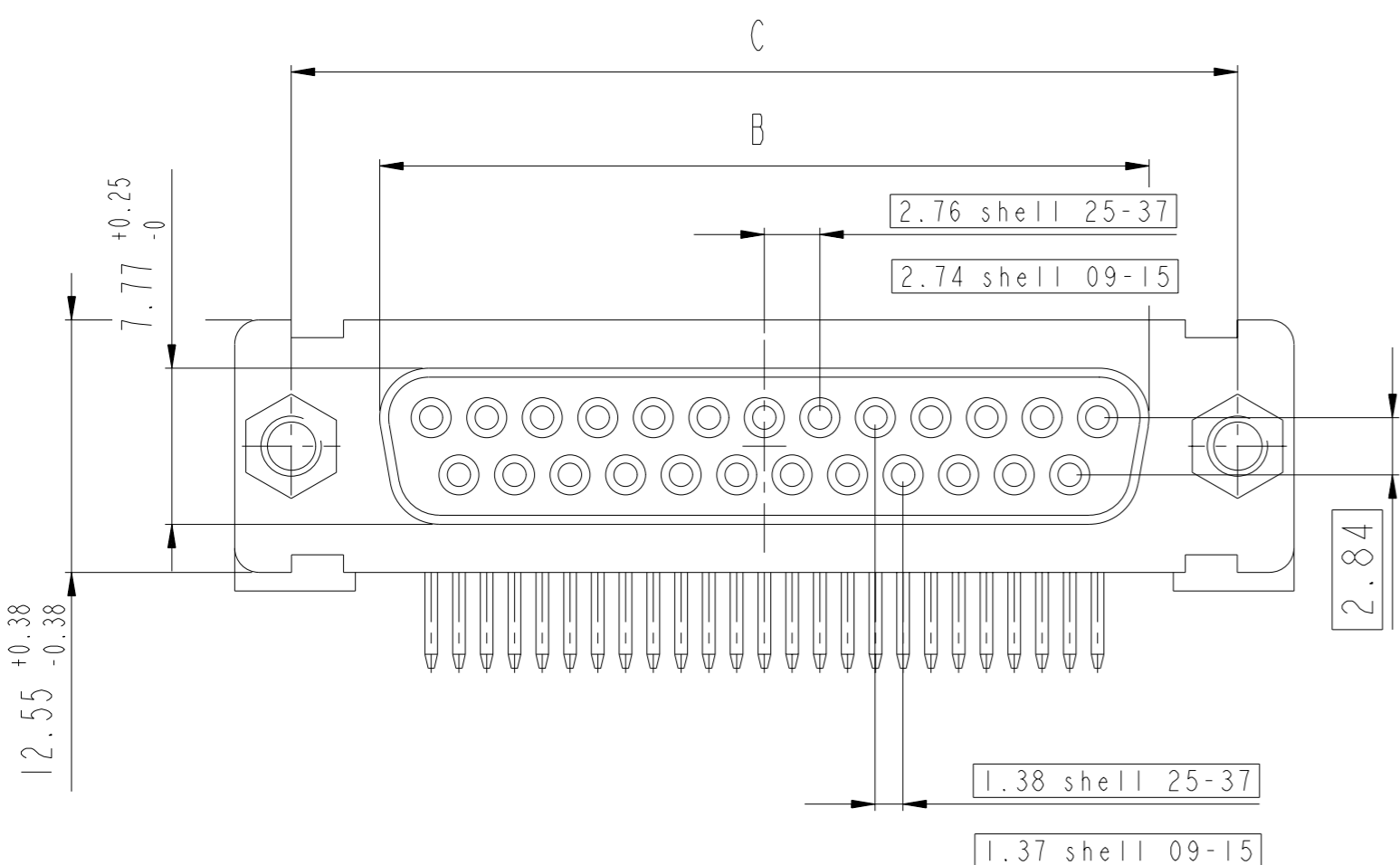
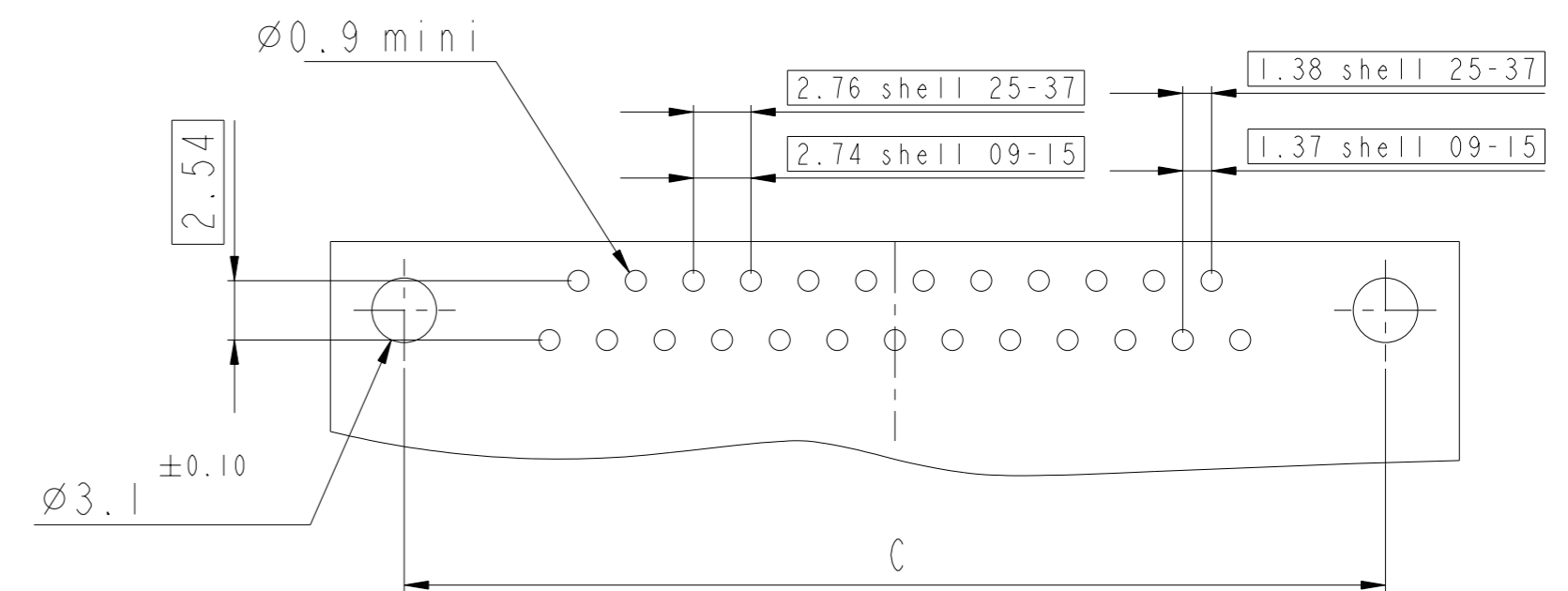
DIMENSION FOR SHELL E,A,B,C WITH PLASTIC BRACKET

Dimensions are in millimeters

Shell size	Number of contacts	A ^{+0.76} ₋₀	B ^{+0.25} ₋₀	C ±0.12	F ^{+0.57} ₋₀	G ^{+0.25} ₋₀	H ^{+0.51} ₋₀
E	09	30.43	16.21	24.99	10.64	6.05	19.02
A	15	38.76	24.54	33.32	10.64	6.05	27.25
B	25	52.65	38.25	47.04	10.64	6.05	41.02
C	37	68.94	54.71	63.50	10.64	6.05	57.45



LAYOUT DIMENSIONS

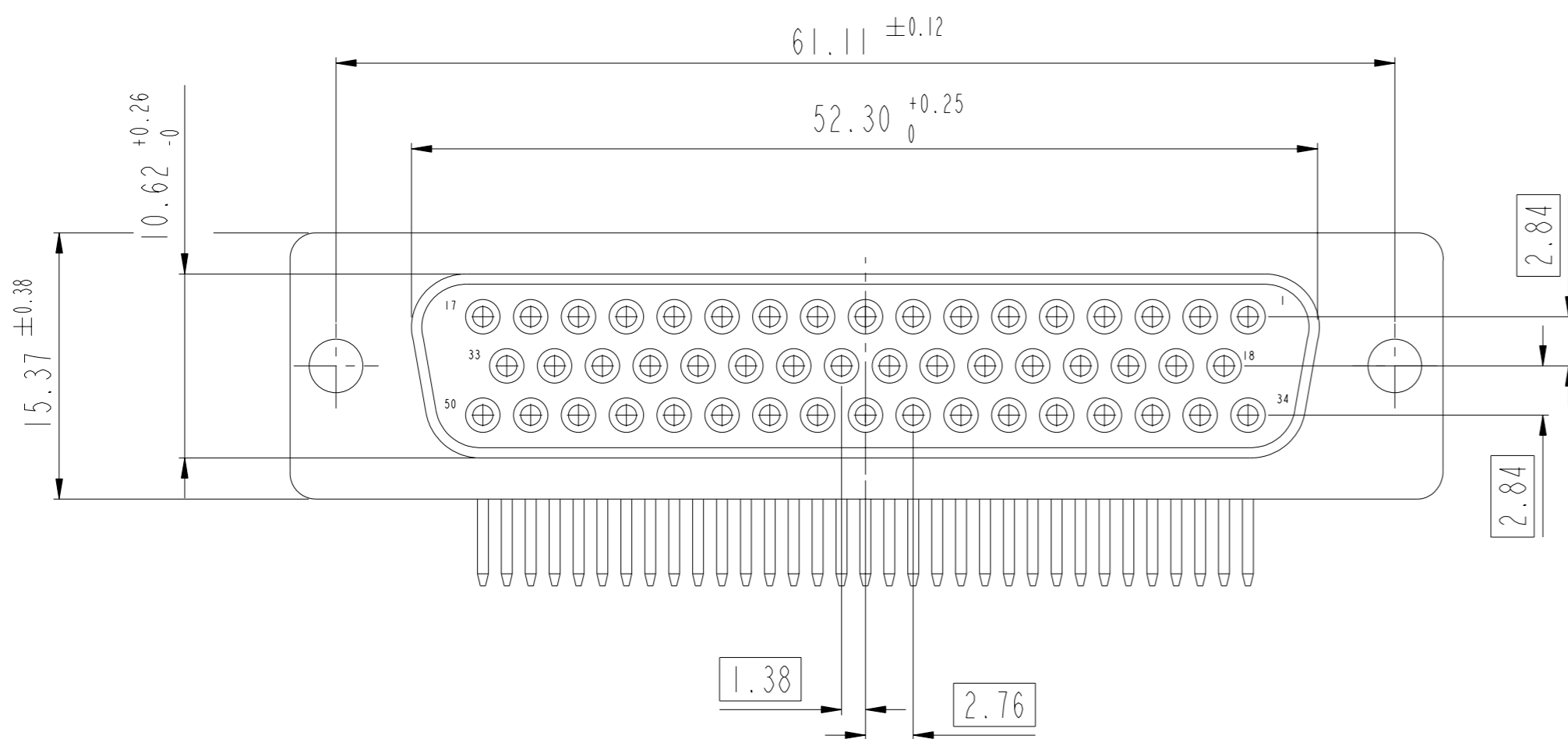
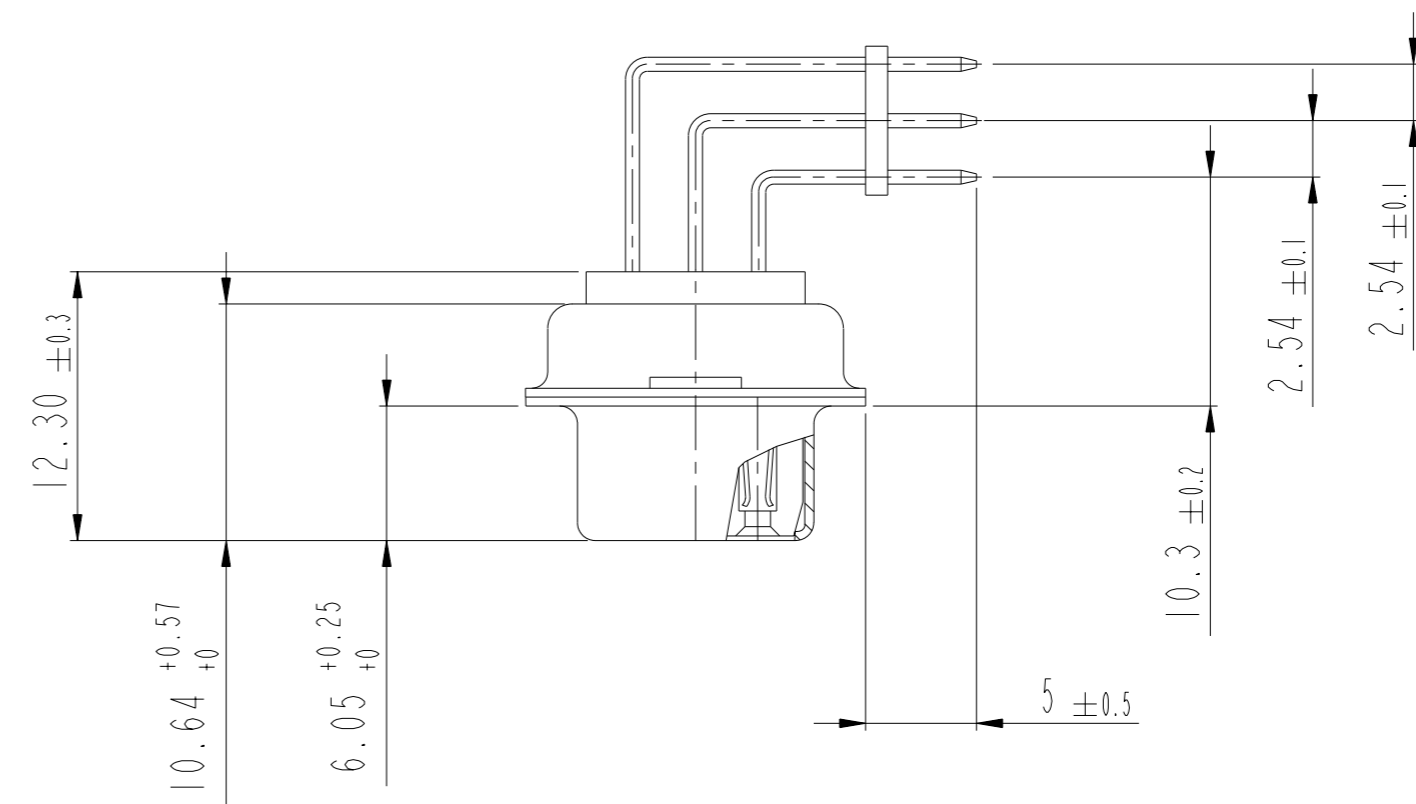
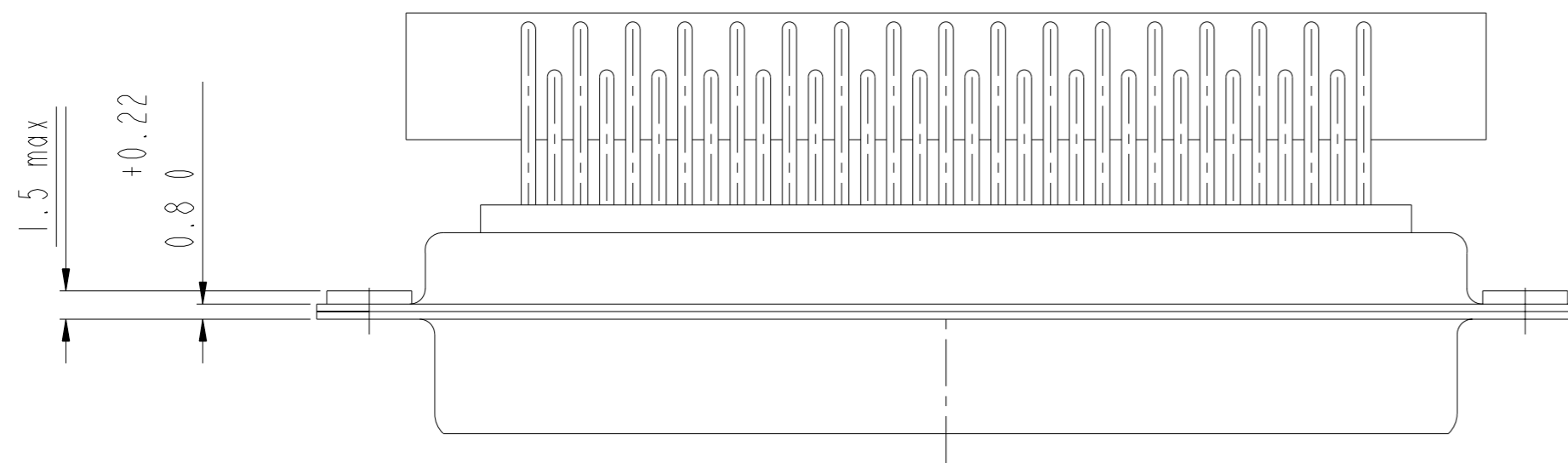
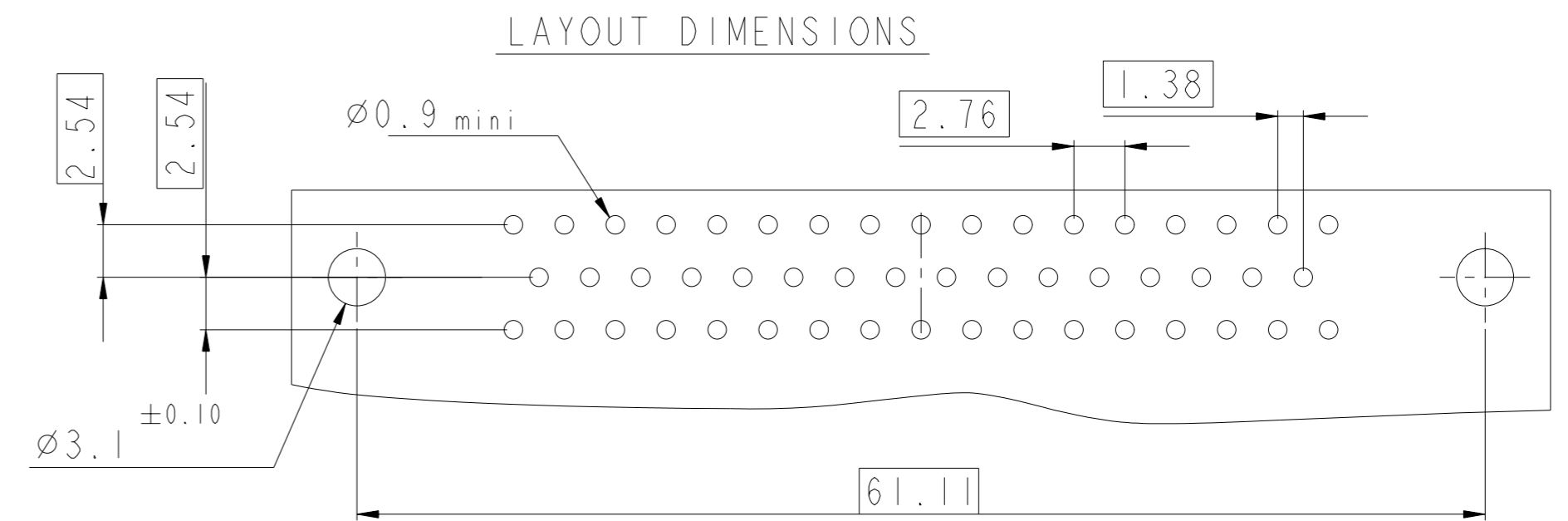
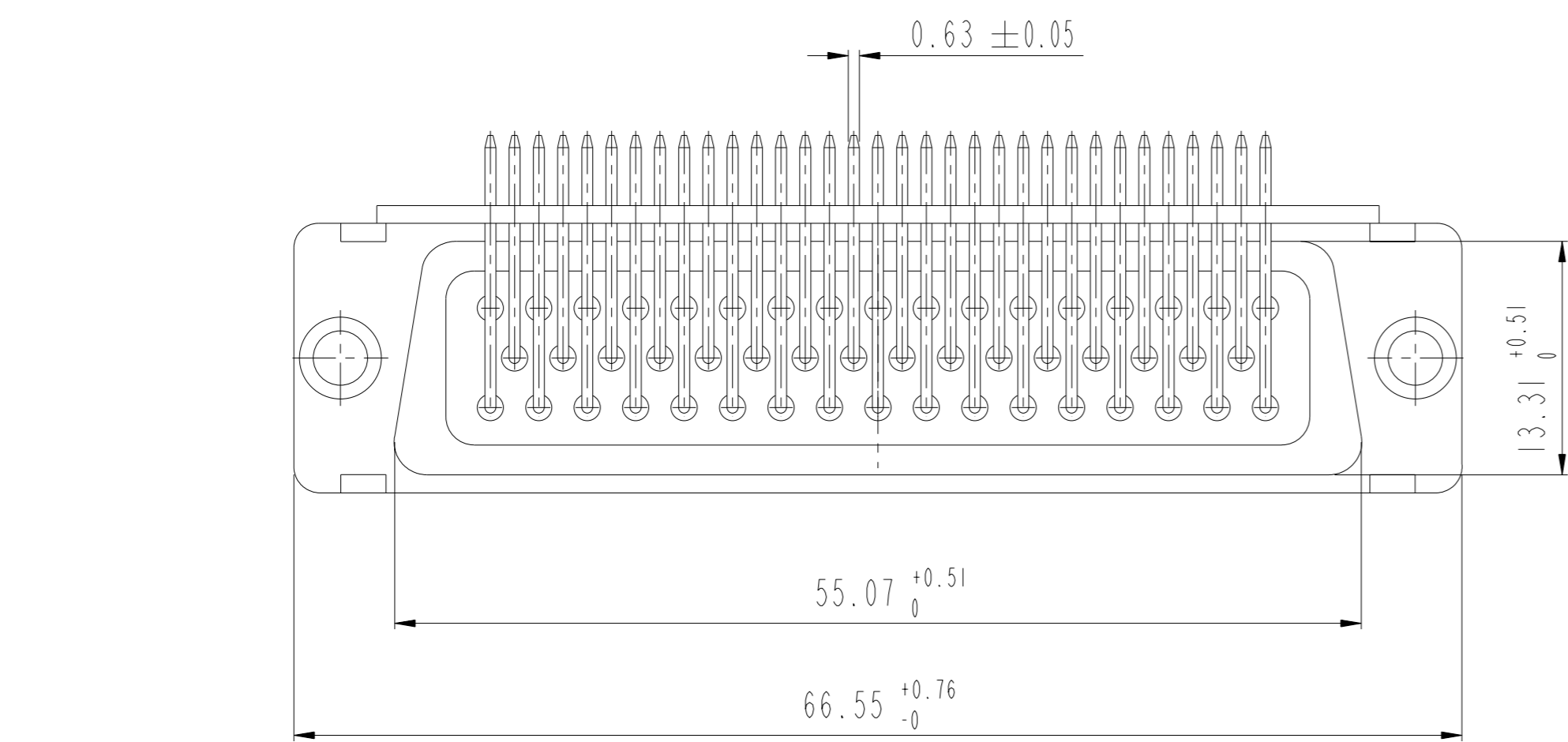


SCALE: 3

www.fciconnect.com		surface ISO 1302	tolerance std ISO 406 ISO 1101	projection	mm
		TOLERANCES UNLESS OTHERWISE SPECIFIED		⊕	↔
Dr	M PESSON	2006/11/14	ANGULAR	0.x ±0.3	size A2
Eng	P LEGARE	2006/11/14	LINEAR	0.xx ±0.1	Scale 2:1
Chr	P LEGARE	2006/11/14	0° ±2°	0.xxx ±0.05	ECN LS06-0174
Appr	P LEGARE	2006/11/14	Product family	-	Spec ref
		TITLE SUB FEMALE DM HE508 series with right angle contact		dwg no C01-8637-1748	Rev. A
catalog no		CUSTOMER		sheet 6 of 9	

Copyright FCI. FCI

SHELL SIZE D WITHOUT BRACKET (50 contacts)

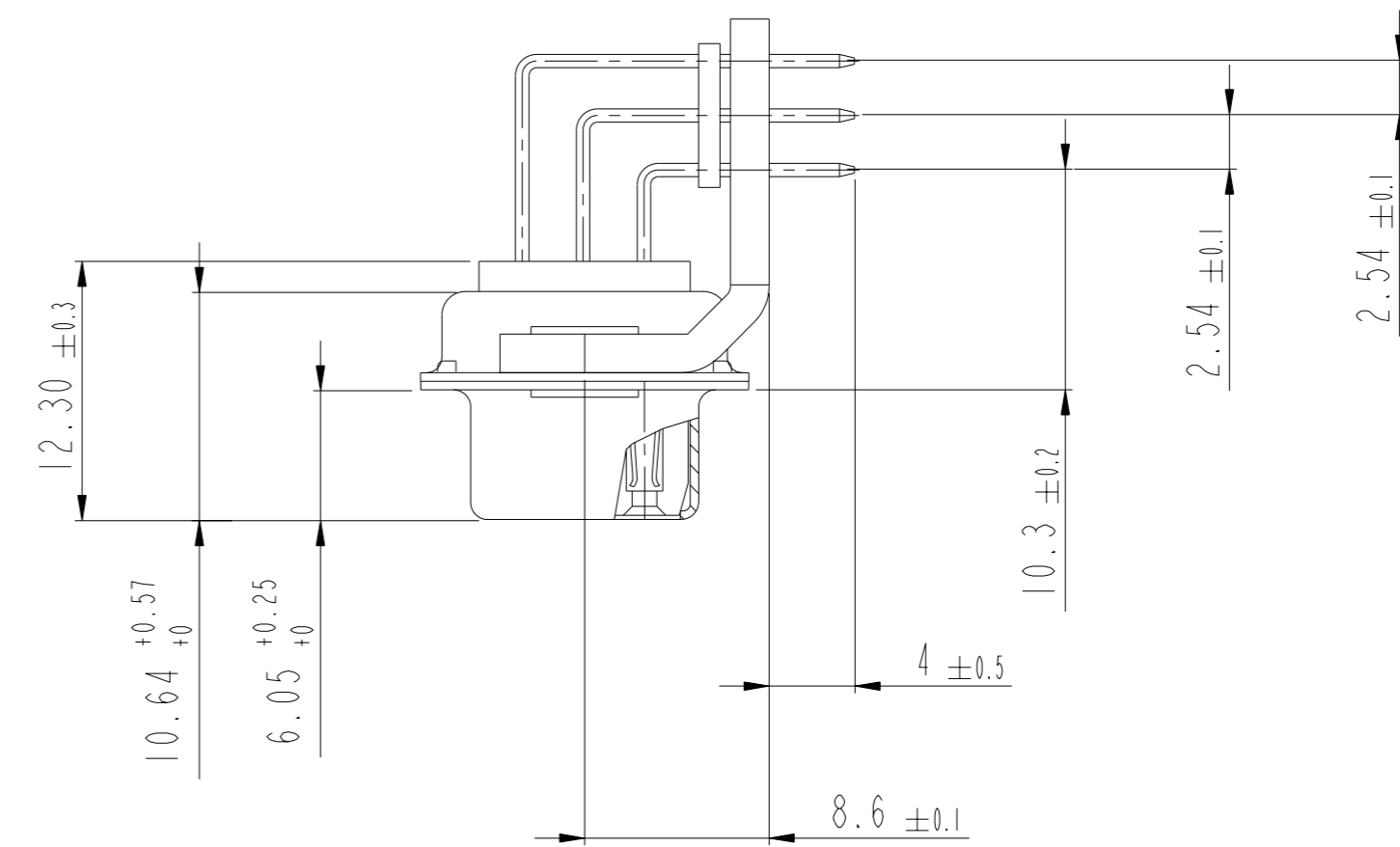
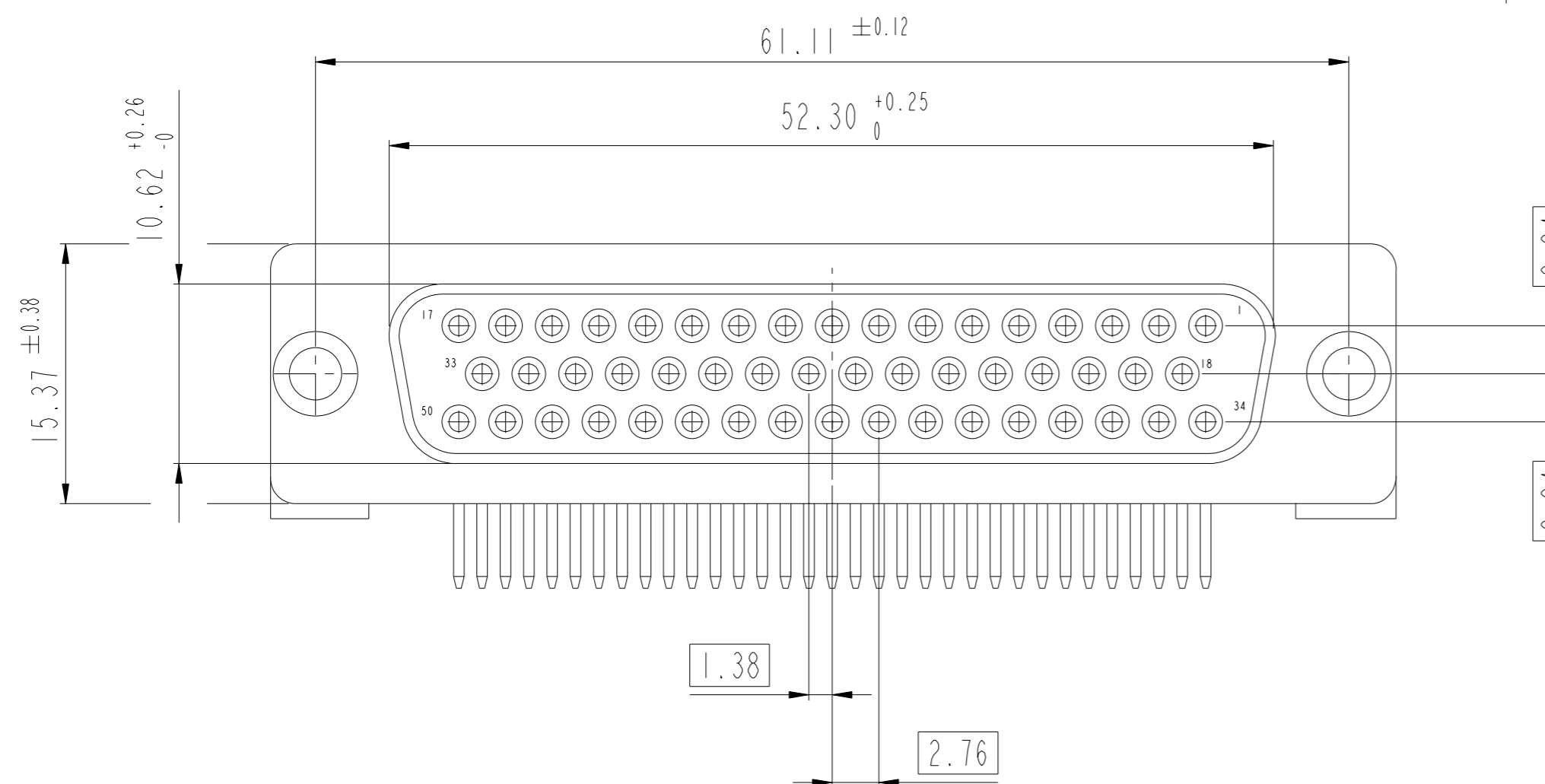
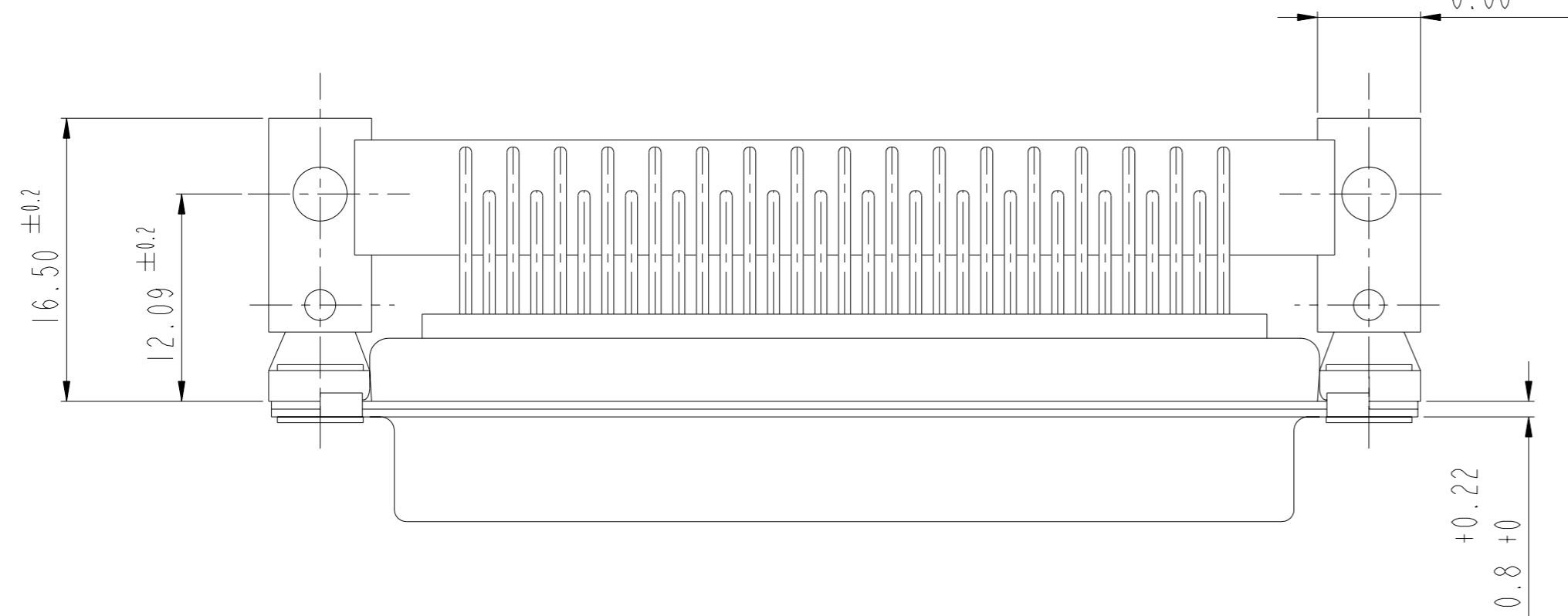
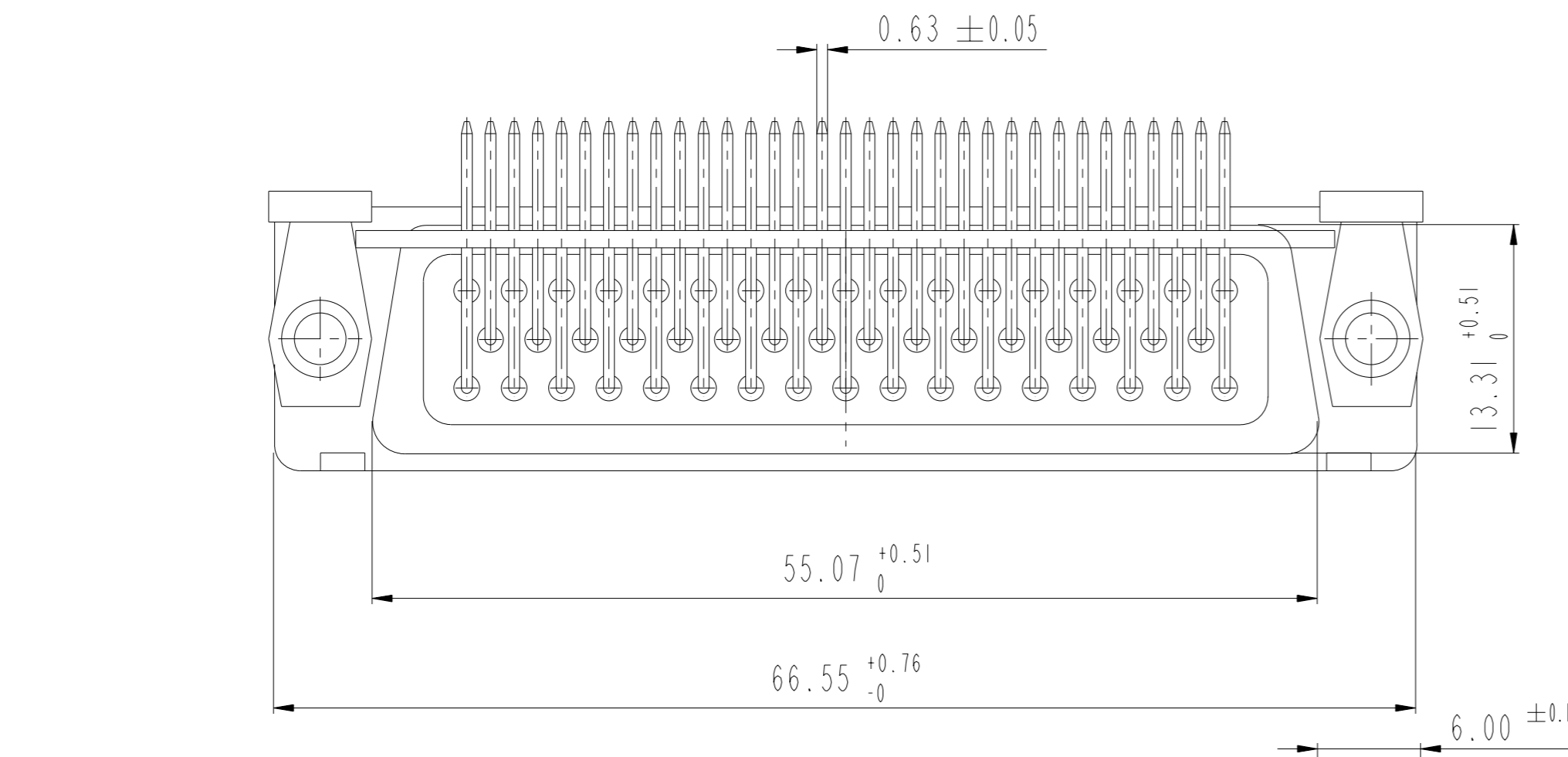
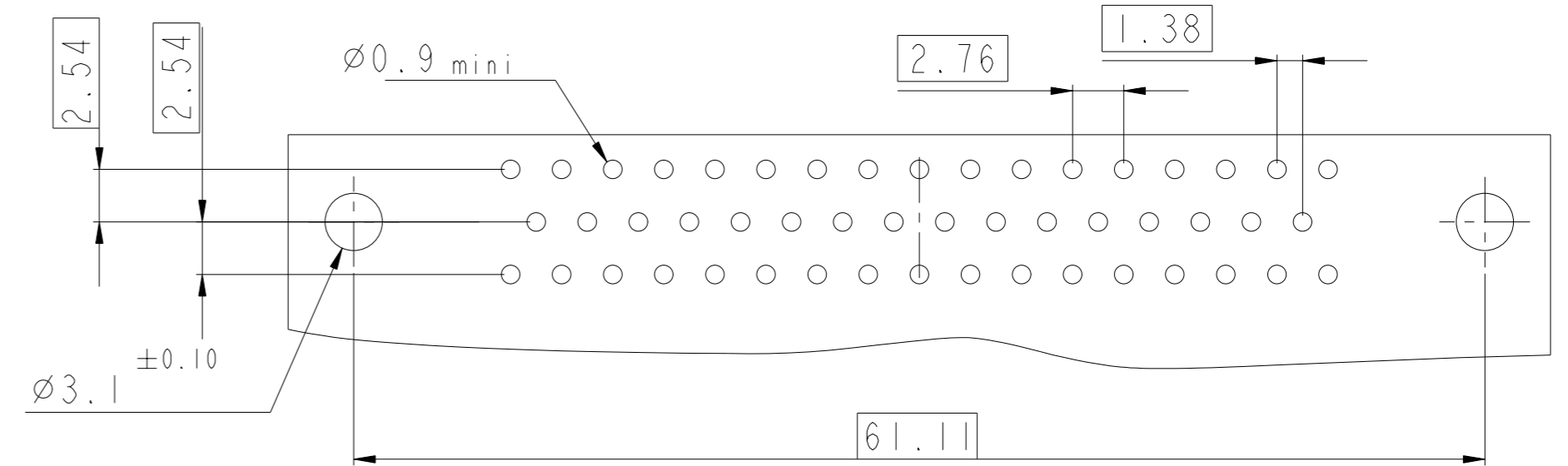


SCALE: 3

www.fciconnect.com			surface ISO 1302	tolerance std ISO 406 ISO 1101	projection mm
			TOLERANCES UNLESS OTHERWISE SPECIFIED		mm
Dr	M PESSON	2006/11/14	ANGULAR	0.X ±0.3	size A2
Eng	P LEGARE	2006/11/14	LINEAR	0.XX ±0.1	Scale 2:1
Chr	P LEGARE	2006/11/14	0° ±2°	0.XXX ±0.05	ECN LS06-0174
Appr	P LEGARE	2006/11/14	Product family	-	Spec ref
FCi			TITLE SUB FEMALE DM HE508 series		Rev. A
			with right angle contact		dwg no C01-8637-1748
			catalog no -		CUSTOMER sheet 7 of 9

SHELL SIZE D WITH METAL BRACKET(50 contacts)

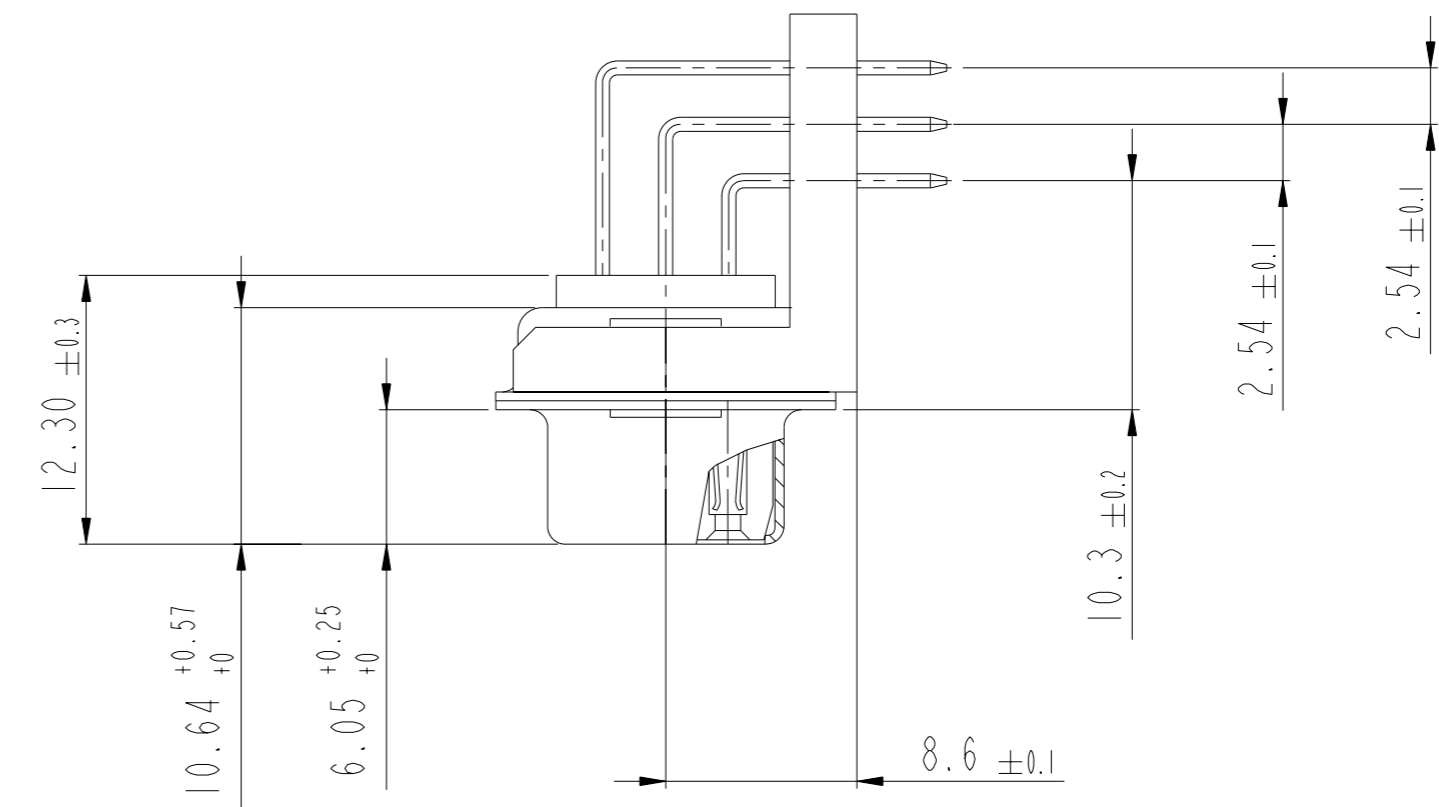
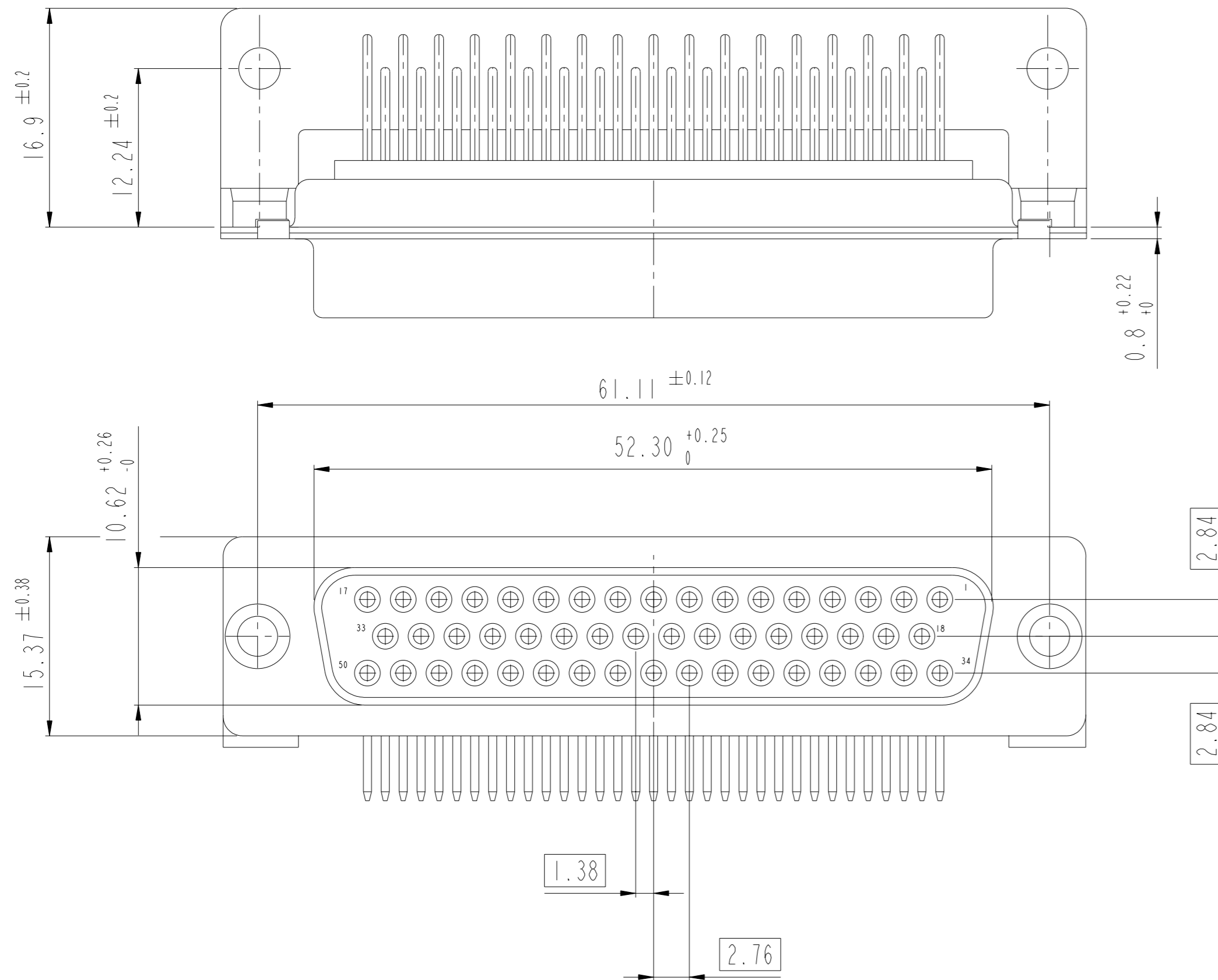
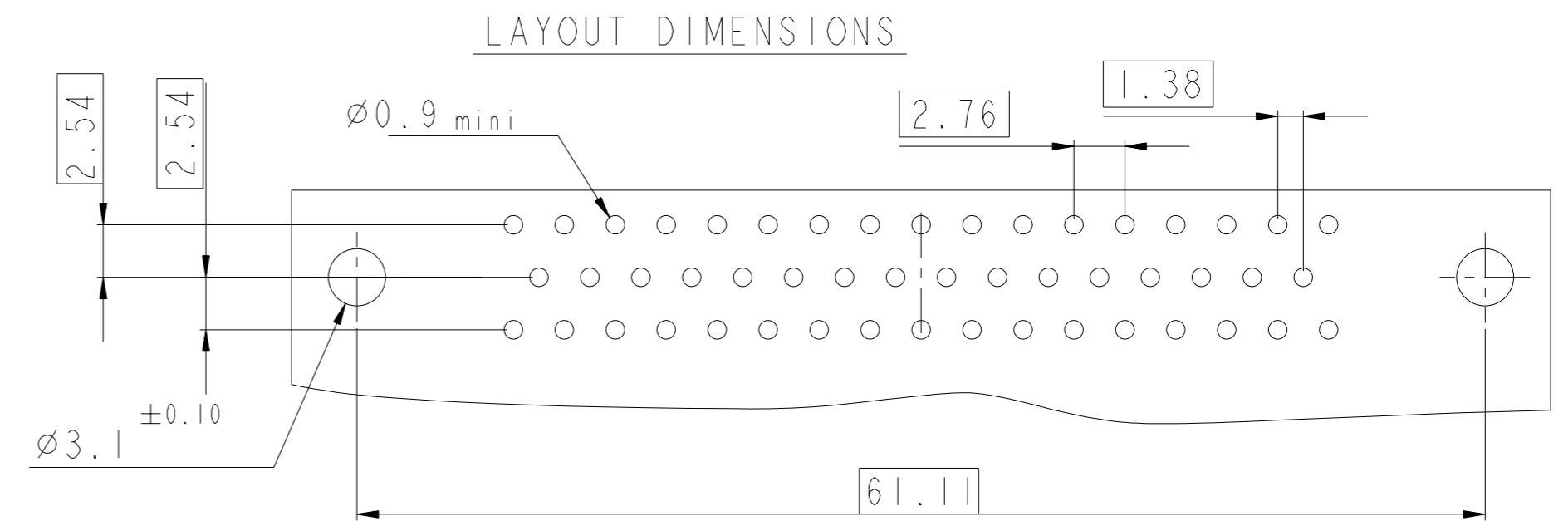
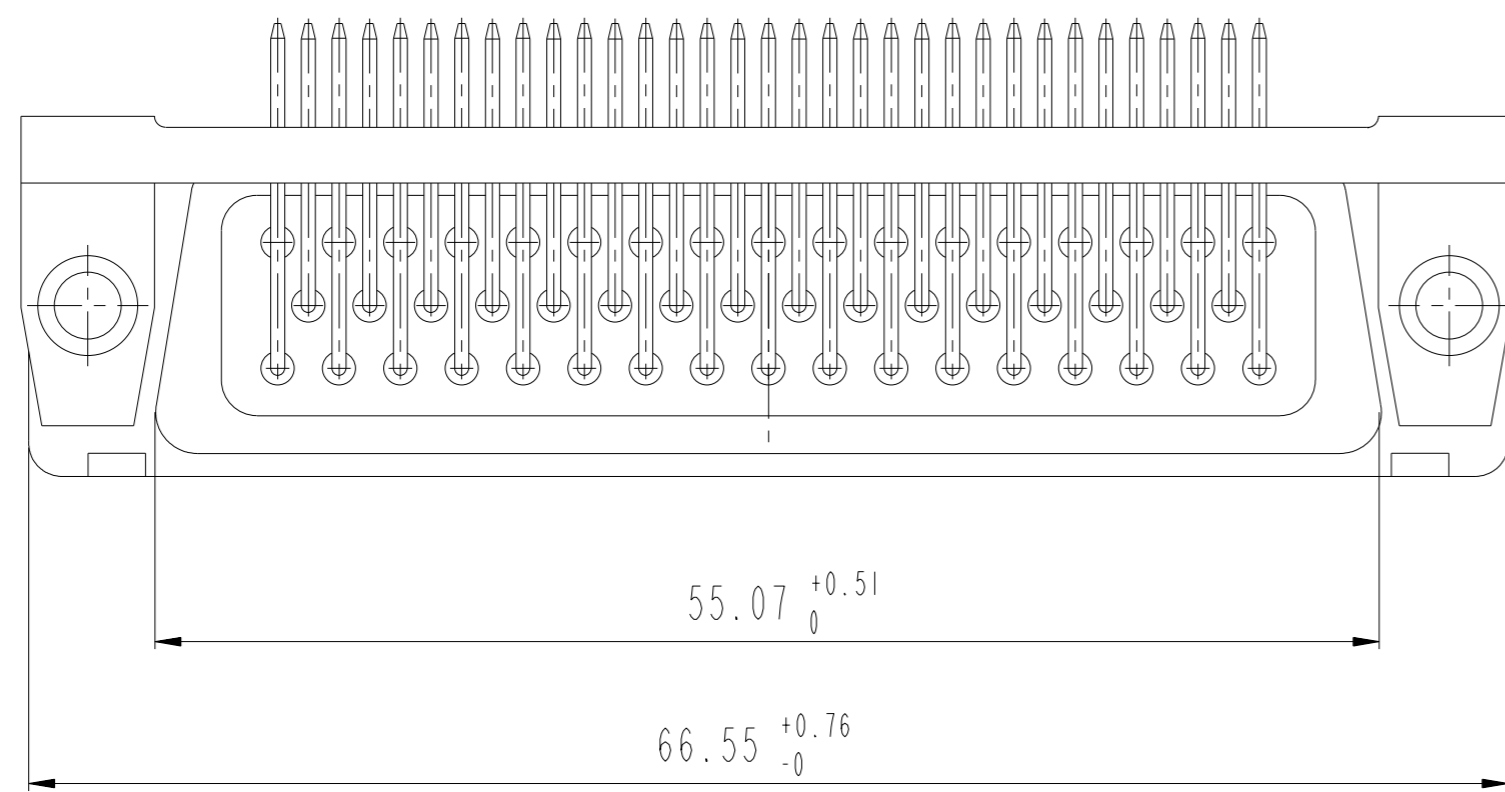
LAYOUT DIMENSIONS



SCALE: 3

www.fciconnect.com		surface -	tolerance std	projection	mm
		ISO 1302	ISO 406 ISO 1101		
		TOLERANCES UNLESS OTHERWISE SPECIFIED			
Dr	M PESSON	2006/11/14	ANGULAR	0.X	± 0.3
Eng	P LEGARE	2006/11/14	LINEAR	0.XX	± 0.1
Chr	P LEGARE	2006/11/14	$0^\circ \pm 2^\circ$	0.XXX	± 0.05
Appr	P LEGARE	2006/11/14	Product family	-	Spec ref
TITLE		SUB FEMALE DM HE508 series		dwg no	C01-8637-1748
		with right angle contact		Rev.	A
catalog no		-		CUSTOMER	sheet 8 of 9

SHELL SIZE D WITH PLASTIC BRACKET (50 contacts)



SCALE: 3

www.fciconnect.com			surface ISO 1302	tolerance std ISO 406 ISO 1101	projection mm
			TOLERANCES UNLESS OTHERWISE SPECIFIED		mm
Dr	M PESSON	2006/11/14	ANGULAR	0.X ±0.3	size A2
Eng	P LEGARE	2006/11/14	LINEAR	0.XX ±0.1	Scale 2:1
Chr	P LEGARE	2006/11/14	0° ±2°	0.XXX ±0.05	ECN LS06-0174
Appr	P LEGARE	2006/11/14	Product family	-	Spec ref
			TITLE SUB FEMALE DM HE508 series with right angle contact		dwg no C01-8637-1748 Rev. A
catalog no			CUSTOMER		sheet 9 of 9