

REFERENCE SPECIFICATIONS

-NFC 93425 (in compliance with HE 501)

PHYSICAL CHARACTERISTICS

-INSULATOR MATERIAL: THERMOPLASTIC UL94V0
 -CONTACT MATERIAL: BRASS
 GOLD OVER NICKEL

-ACCESSORIES: BRASS,cadmium plated yellow passivation
 -SHELLS: STEEL,cadmium plated yellow passivation

ELECTRICAL CHARACTERISTICS

-NOMINAL CURRENT: 7.5A
 -CONTACT RESISTANCE: <= 7.3 m ohms
 -CONTACT/CONTACT : >=1000 V
 -CONTACT/GROUND : >=1200 V
 -INSULATION RESISTANCE: >=5000 MOhms

ENVIRONMENTAL CHARACTERISTICS

- CLIMATIC CATEGORY: 55/125/56
 TEMPERATURE RANGE -55°C TO +125°C
 DAMP HEAT STEADY STATE 56 DAYS
 SALT SPRAY 48 HOURS

MECHANICAL CHARACTERISTICS

- RETENTION AGAINST TORQUE: - Threaded insert: 0.7 N.m minimum
 - Female screw : 0.5 N.m minimum

DBML25P043

Series

Shell size: **E A B C D**
 see sheet 2

Front accessory definition
 see sheet 2

- Blank** :without accessory
- F** :floating mounting
- L** :threaded insert M3
- O** :threaded insert UNC 4-40
- V** :female screw UNC 4-40

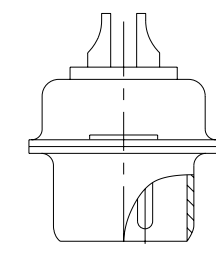
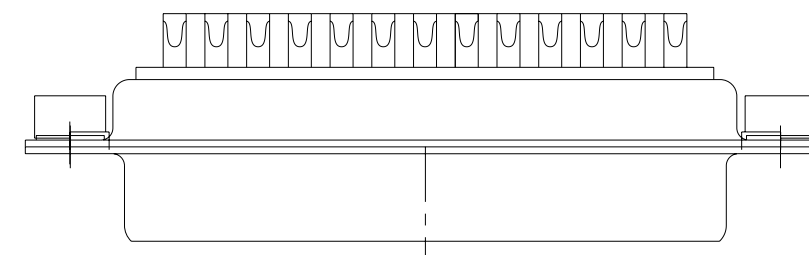
Contact number (see sheet 2)
9,15,25,37,50

Contacts

- P** :Pin

Plating

- Blank** :solder bucket 500 matings/unmatings
- 043** :solder bucket 500 matings/unmatings
 for harsh environment

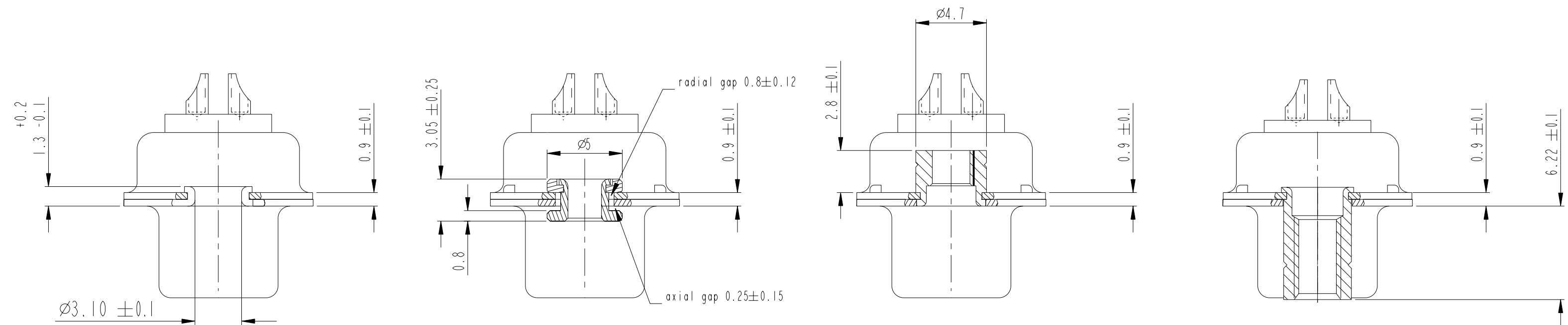


25 WAY for Example

rev	ecn no	dr	date
A	LS06-0174	MPE	2006/11/14
B	LS07-0273	MPE	2007/10/30
C	LS08-0044	MPE	2008/02/04
-	-	-	-
-	-	-	-
-	-	-	-

www.fciconnect.com		surface <input checked="" type="checkbox"/> ISO 1302	tolerance std ISO 406 ISO 1101	projection	mm
TOLERANCES UNLESS OTHERWISE SPECIFIED					
Dr	M PESSON	2006/11/14	ANGULAR	0.X ±0.3	size A2
Eng	P LEGARE	2006/11/14	LINEAR	0.XX ±0.1	Scale 2:1
Chr	P LEGARE	2006/11/14	0° ±2°	0.XXX ±0.05	ECN LS08-0044
Appr	P LEGARE	2006/11/14	Product family	-	Spec ref
FCJ			SUB MALE DM HE501 series		Rev. C
			with solder bucket		diag no C01-8637-1737
			CUSTOMER		sheet 1 of 4

Copyright FCI. FCJ



FRONT ACCESSORY	Blank without	F floating mounting	L insert M3 O insert UNC 4.40	V female screw UNC 4.40
-----------------	---------------	---------------------	----------------------------------	-------------------------

PART NUMBER	FRONT ACCESSORY
D*MxxP	without
D*MFxxP	floating mounting
D*MLxxP	insert M3
D*MOxxP	insert UNC 4.40
D*MVxxP	female screw UNC 4.40

shell size	Contact number
*	XX
E	09
A	15
B	25
C	37
D	50

PART NUMBER	FRONT ACCESSORY
D*MxxP043	without
D*MFxxP043	floating mounting
D*MLxxP043	insert M3
D*MOxxP043	insert UNC 4.40
D*MVxxP043	female screw UNC 4.40

CROSS REFERENCES HE501 and FC1

HE501 P/N	FC1 P/N	FRONT ACCESSORY
HE501NxxAS	D*MxxP	without
HE501FxxAS	D*MFxxP	floating mounting

SCALE: 4

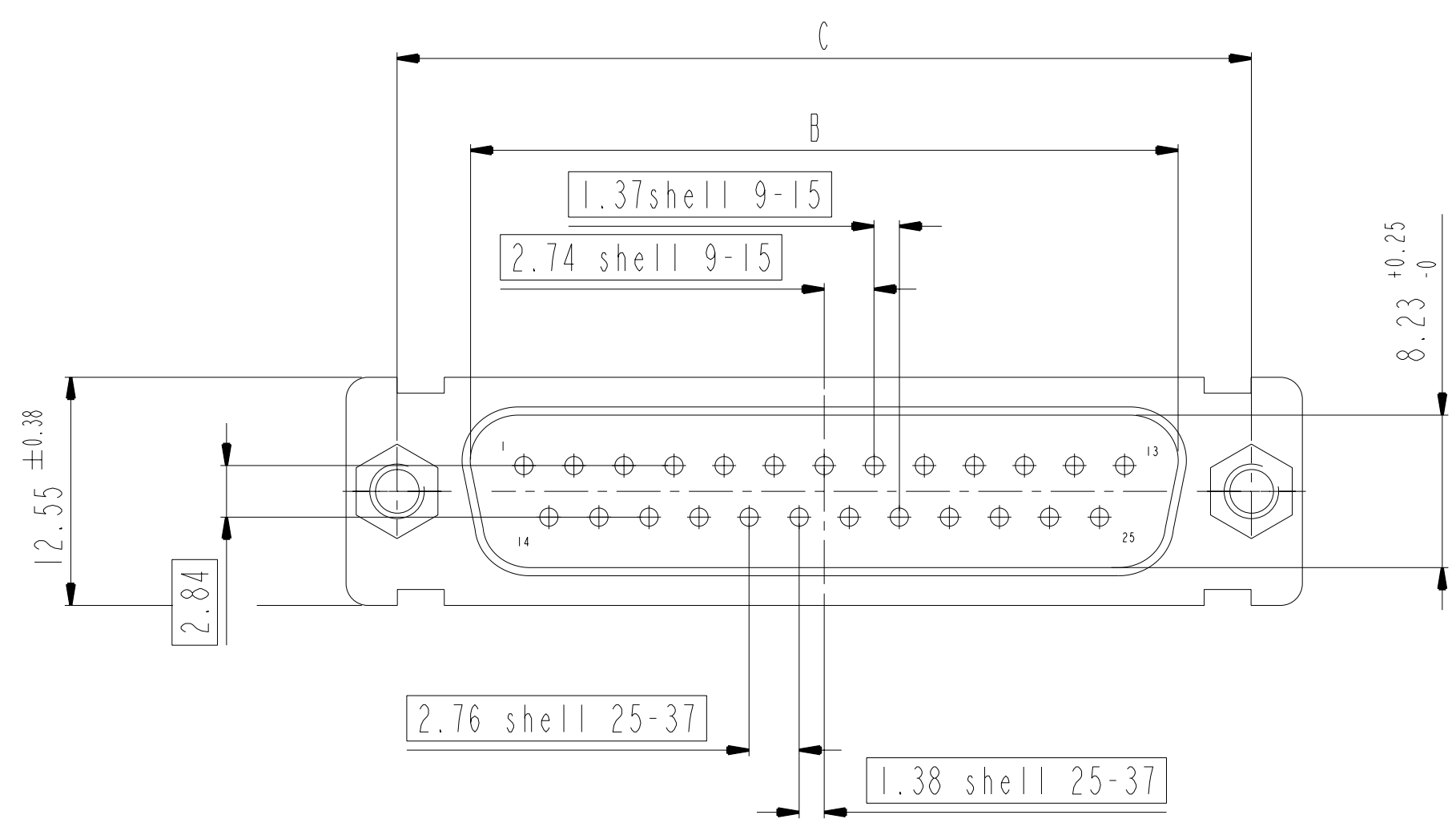
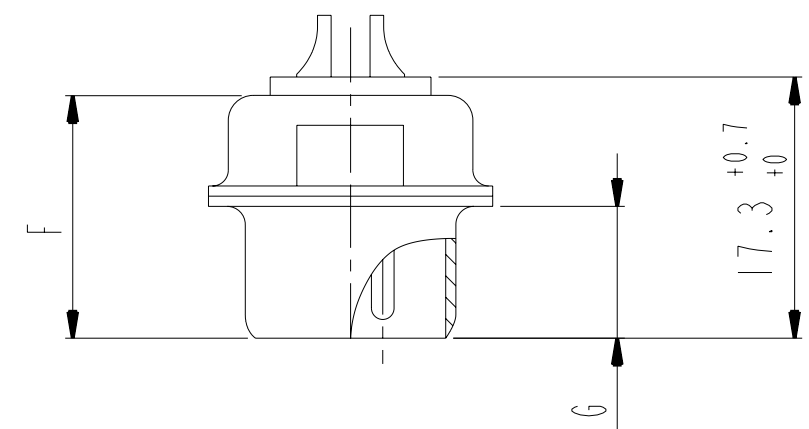
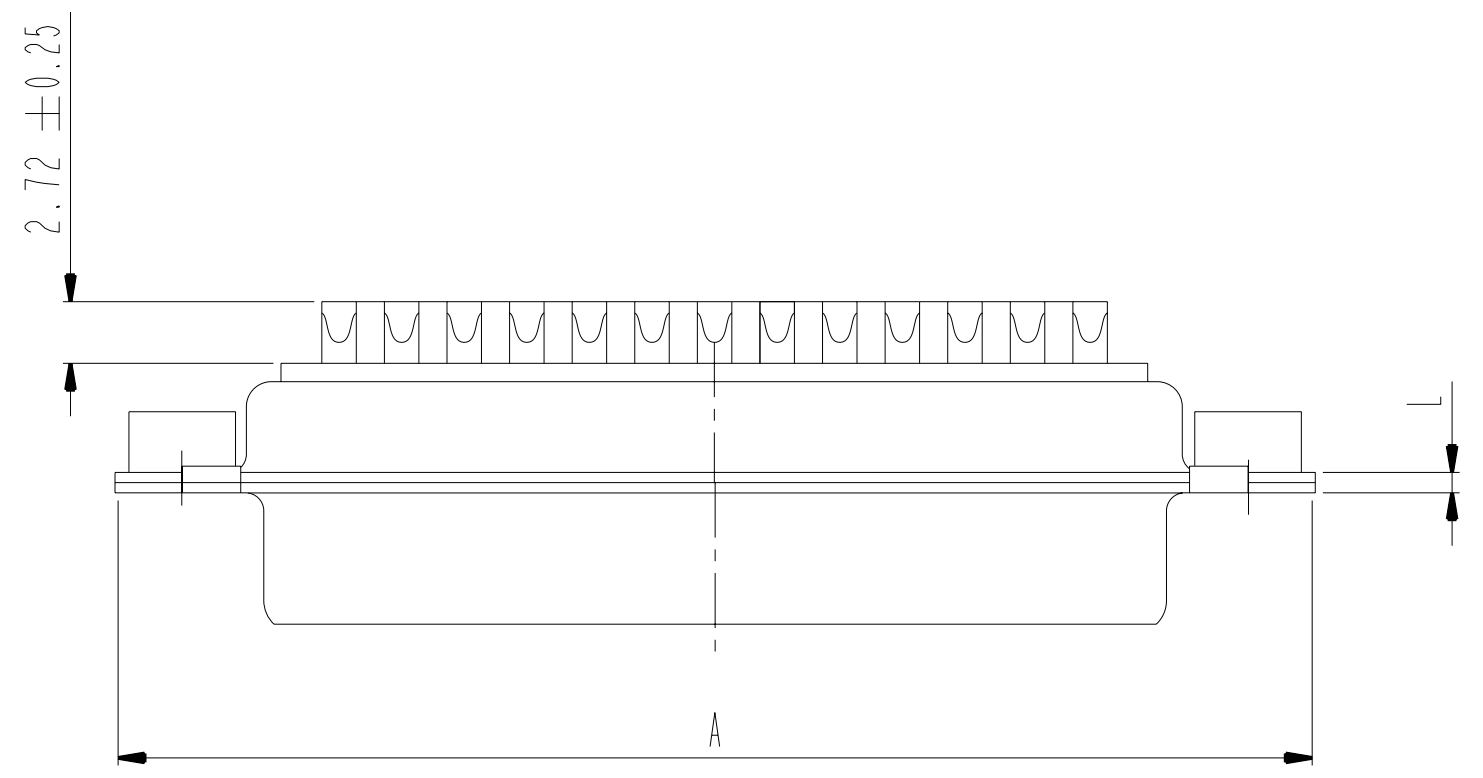
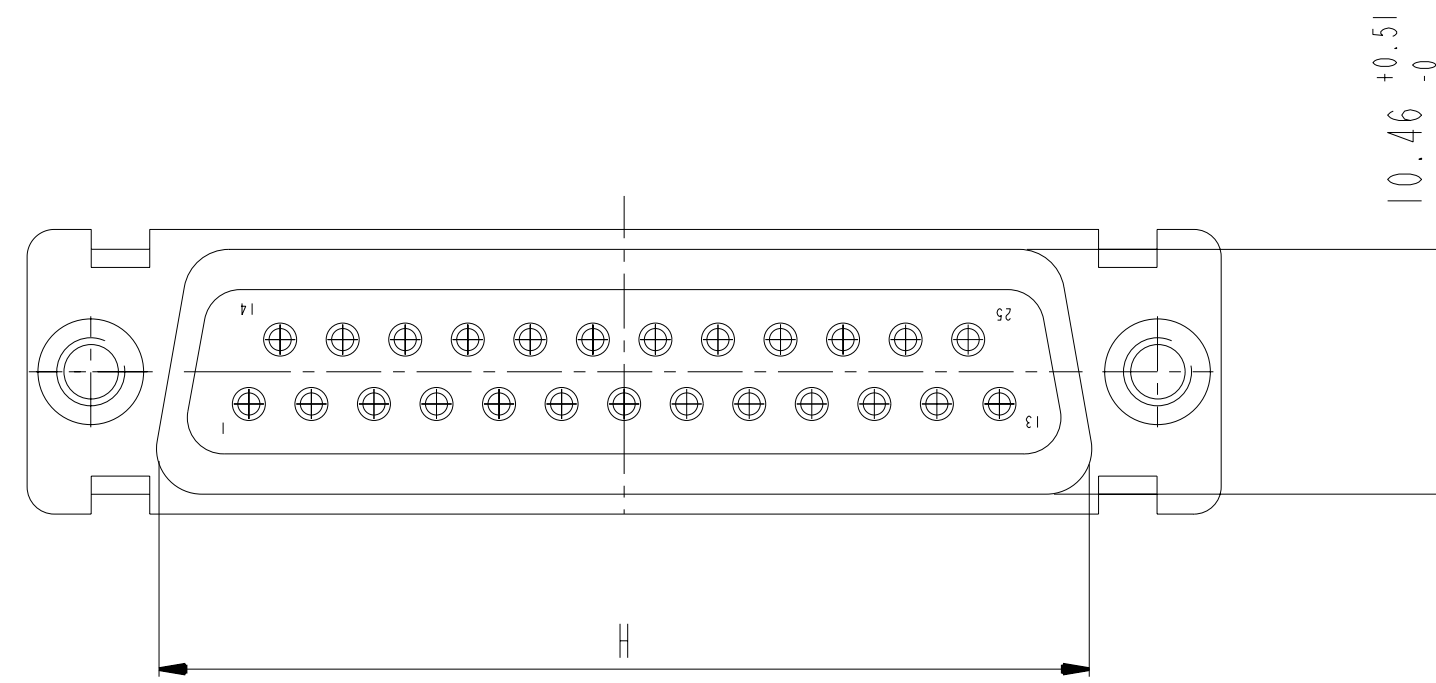
www.fciconnect.com		surface <input checked="" type="checkbox"/> ISO 1302	tolerance std ISO 406 ISO 1101	projection	mm
TOLERANCES UNLESS OTHERWISE SPECIFIED					
Dr	M PESSON	2006/11/14	ANGULAR	0.X ±0.3	size A2
Eng	P LEGARE	2006/11/14	LINEAR	0.XX ±0.1	Scale 2:1
Chr	P LEGARE	2006/11/14	0° ±2°	0.XXX ±0.05	ECN LS08-0044
Appr	P LEGARE	2006/11/14	Product family	-	Spec ref
		SUB MALE DM HE501 series		dwg no C01-8637-1737	Rev. C
		with solder bucket		CUSTOMER	sheet 2 of 4
		catalog no			

Copyright FCI. FCI

DIMENSIONS FOR SHELL E, A, B, C

Dimensions are in millimeters

Shell size	Number of contacts	A $\begin{smallmatrix} +0.76 \\ -0 \end{smallmatrix}$	B $\begin{smallmatrix} +0.25 \\ -0 \end{smallmatrix}$	C ± 0.12	F $\begin{smallmatrix} +0.57 \\ -0 \end{smallmatrix}$	G $\begin{smallmatrix} +0.25 \\ -0 \end{smallmatrix}$	H $\begin{smallmatrix} +0.51 \\ -0 \end{smallmatrix}$	L $\begin{smallmatrix} +0.22 \\ -0 \end{smallmatrix}$
E	09	30.43	16.79	24.99	10.47	5.9 $\begin{smallmatrix} +0.15 \\ -0 \end{smallmatrix}$	19.02	0.80
A	15	38.76	25.12	33.32	10.47	5.9 $\begin{smallmatrix} +0.15 \\ -0 \end{smallmatrix}$	27.25	0.80
B	25	52.65	38.84	47.04	10.43	5.7 $\begin{smallmatrix} +0.25 \\ -0 \end{smallmatrix}$	41.02	0.80
C	37	68.94	55.30	63.50	10.56	5.7 $\begin{smallmatrix} +0.25 \\ -0 \end{smallmatrix}$	57.45	0.90

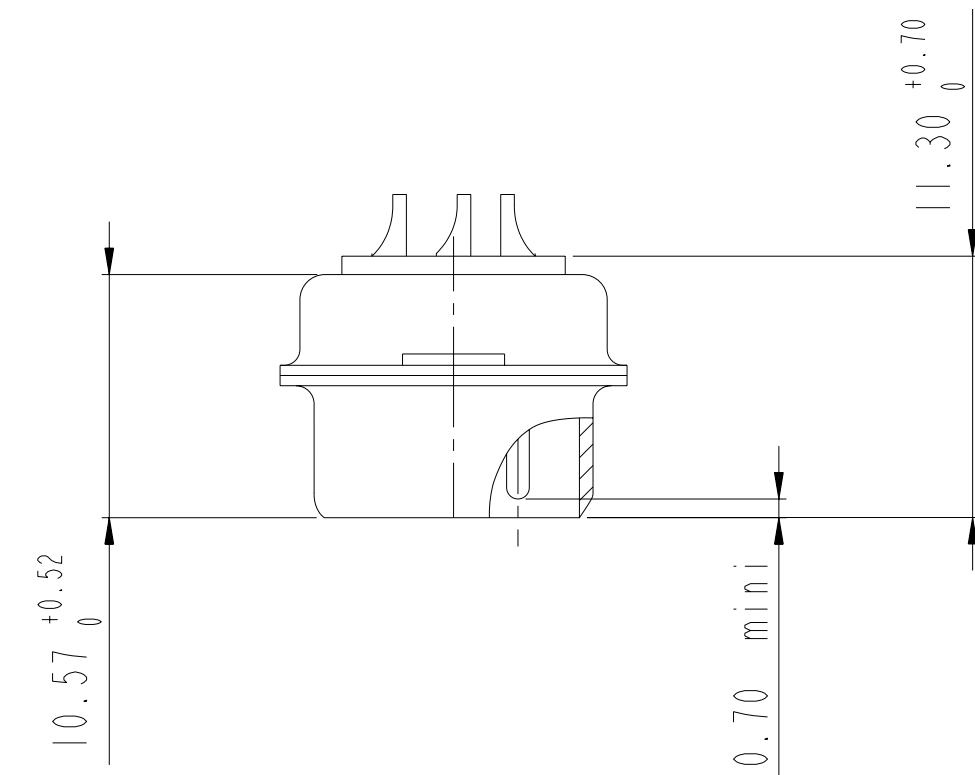
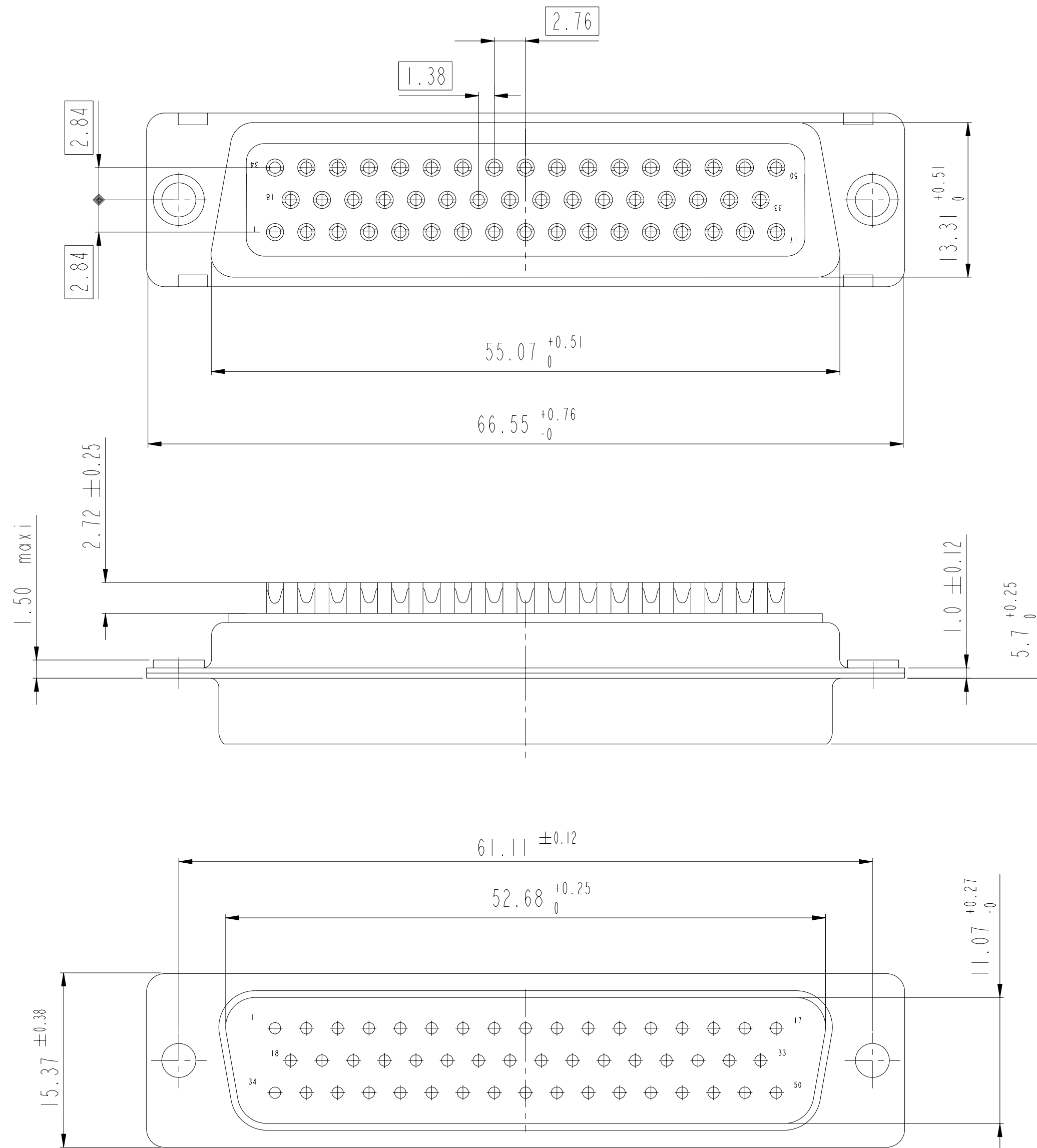


scale 3

www.fciconnect.com		surface <input checked="" type="checkbox"/> ISO 1302	tolerance std ISO 406 ISO 1101	projection	mm
TOLERANCES UNLESS OTHERWISE SPECIFIED					
Dr	M PESSON	2006/11/14	ANGULAR	0.X	±0.3
Eng	P LEGARE	2006/11/14	LINEAR	0.XX	±0.1
Chr	P LEGARE	2006/11/14	0° ±2°	0.XXX	±0.05
Appr	P LEGARE	2006/11/14	Product family	- Spec ref	
SUB MALE DM HE501 series			dwg no	C01-8637-1737	
with solder bucket			CUSTOMER	sheet 3 of 4	
catalog no			-		

Copyright FCI. FCI

DIMENSIONS FOR SHELL SIZE D (50 CONTACTS)



scale 3

www.fciconnect.com		surface <input checked="" type="checkbox"/> ISO 1302	tolerance std ISO 406 ISO 1101	projection	mm
		TOLERANCES UNLESS OTHERWISE SPECIFIED			
Dr	M PESSON	2006/11/14	ANGULAR	0.X	±0.3
Eng	P LEGARE	2006/11/14	LINEAR	0.XX	±0.1
Chr	P LEGARE	2006/11/14	0° ±2°	0.XXX	±0.05
Appr	P LEGARE	2006/11/14	Product family	- Spec ref	
SUB MALE DM HE501 series with solder bucket			title catalog no	size A2 ECN LS08-0044	scale 2:1 sheet 4 of 4

PDS: Rev: C

STATUS: Released

Printed on 18/01/2015