

TECHNICAL SPECIFICATIONS

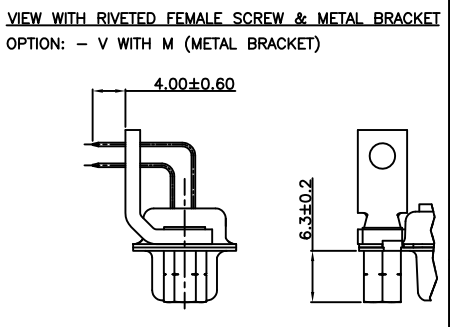
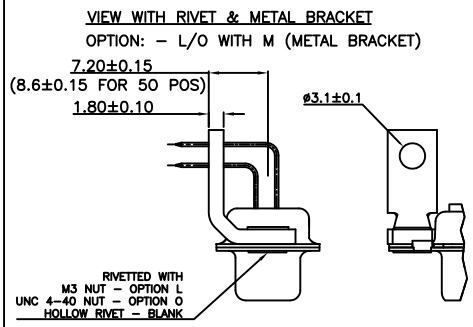
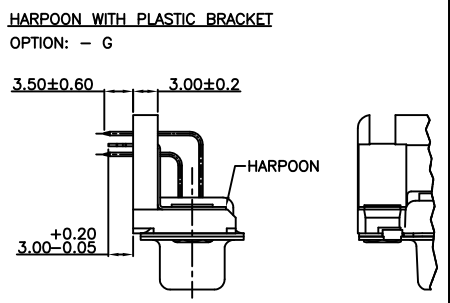
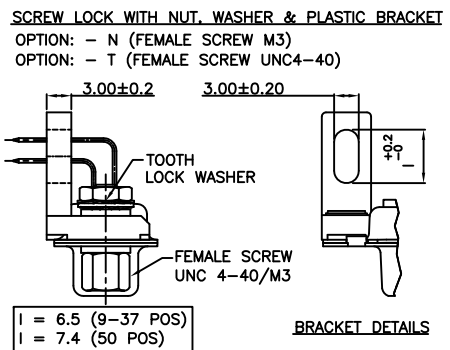
SHELLS : TIN PLATED STEEL
 CONTACTS DIA ON ACTIVE AREA : $\phi 1$ MM.
 CONTACTS MATERIAL : COPPER ALLOY
 CONTACT PLATING : GXT / GOLD OVER NICKEL (ACTIVE ZONE)
 : TIN OVER NICKEL (TERMINATION ZONE)
 FOR LEAD FREE PLATING : 2 μ MIN. TIN TOP OVER 1.27 μ MIN.
 NICKEL UNDER PLATE (ON TERMINATION ZONE)
 INSULATOR MATERIAL : SELF EXTINGUISHING THERMOPLASTIC-
 TO UL CLASS 94 V0
 THE HOUSING WILL WITHSTAND EXPOSURE TO
 260-265°C IF WE USE PROTECTIVE ADHESIVE
 (Kapton or Teflon) OR PROTECTIVE METALLIC DEVICE
 OPERATING TEMPERATURE : -55°C +125°C
 OPERATING CURRENT : 5 A PER CONTACT
 CONTACT RESISTANCE : $\leq 25m\Omega$
 INSULATION RESISTANCE : $\geq 5000 M\Omega$
 MAXIMUM VOLTAGE : 1000 V_{r.m.s}
 MECHANICAL ENDURANCE : 500 MATINGS MIN.FOR CODE 65
 200 MATINGS MIN.FOR CODE 64
 DAMP HEAT : 21 DAYS.

ORDERING INFORMATION

SERIES D B V 25 P 5 64 C T X XXX LF LEAD FREE
 SHELL SIZE E A B C D SPECIAL CODES
 OPTIONS DIMPLES X-ON MALE CONNECTORS ONLY
 BLANK-STANDARD SHELL PLATING
 V-RVTD HEX. FEM SCREW LOCK (UNC4-40) BLANK-ZINC
 L-CLINCH NUT (M3) T-STD. TIN LEAD Over Cu
 O-CLINCH NUT (UNC4-40)
 N-SCREW (M3) WITH NUT, WASHER & BRACKET
 T-SCREW (UNC) WITH NUT, WASHER & BRACKET
 NO.OF CONTACTS 09,15,25,37,50
 CONTACTS BLANK - STANDARD
 P - PIN G - HARPOON
 S - SOCKET M - METAL BRACKET
 C - WITHOUT BRACKET
 CONTACT PLATING 64 - 200 MATING CYCLES
 65 - 500 MATING CYCLES
 TERMINATION TYPE 5-ANGLED SPILL 2.54mm BETWEEN ROWS
 8-ANGLED SPILL 2.84mm BETWEEN ROWS

NOTES:
 1) GENERAL VIEW SHOWN IS OPTION C
 2) INSIDE DIMENSION OF MALE AND OUTSIDE DIMENSION OF THE FEMALE CONNECTOR

"This LF product meets European Union Directives and other country regulations as described in GS-47-0004."
 The housing will withstand exposure to 260°C peak temperature for 3.5 seconds in a wave solder application with a 1.6mm minimum thick circuit board.
 Packaging as per GS-14-920



50	P	66.93	52.80	61.11	11.20	15.37	11.09	5.75	1.0
	S	66.93	52.42	61.11	10.74	15.37	11.21	6.05	0.9
37	P	69.32	55.42	63.50	8.35	12.55	11.09	5.75	1.0
	S	69.32	54.83	63.50	7.89	12.55	11.21	6.05	0.9
25	P	53.03	38.96	47.04	8.35	12.55	11.09	5.75	0.9
	S	53.03	38.37	47.04	7.89	12.55	11.21	6.05	0.9
15	P	39.14	25.24	33.32	8.35	12.55	10.99	5.85	0.9
	S	39.14	24.66	33.32	7.89	12.55	11.21	6.05	0.9
09	P	30.81	16.91	24.99	8.35	12.55	10.99	5.85	0.9
	S	30.81	16.33	24.99	7.89	12.55	11.21	6.05	0.9
	SHELL SIZE	A	±0.38	B	±0.13	C	±0.13	D	±0.38
		E	±0.25	F	±0.12	G	±0.12	H	±0.12

mat'l. code	surface	tolerance	projection	product family
-	ISO 1302	ISO 406 ISO 1101	ϕ -	D-SUB
ltr	ecn no	dr	date	title
G	106-0074	GVJ	2006/06/08	D-SUB A/S CONNECTOR WITH FOOTPRINT 10.4 mm
H	108-0139	MRA	2008/10/13	(WITH ASSEMBLY OPTIONS)
J	109-0075	MRA	2009/05/14	
K	111-0003	MRA	2011/01/08	dr MINI K VANDANATH 1999/03/20
L	ELX-I-15429	MP	2013/08/06	engr MITHUN PAUL 2013/08/06
M	ELX-I-20760	MP	2015/05/02	chr ALIAS BABU 2013/08/06
		appd	BIJU K PAUL 2013/08/06	
sheet	revision	M		dwg no
index	sheet	1		sheet 1 of 1 size
				C-DSUB-0066 A3
				type Product Customer Drawing

FCI Copyright FCI