

REFERENCE SPECIFICATIONS

-NFC 93425 (in compliance with HE 507)

PHYSICAL CHARACTERISTICS

- INSULATOR MATERIAL: THERMOPLASTIC UL94V0
- CONTACT MATERIAL: BRASS (SIGNAL CONTACT)
BRASS (POWERS CONTACT)
- ACCESSORIES: BRASS
- SHELLS: STEEL

ELECTRICAL CHARACTERISTICS

- NOMINAL CURRENT: 7.5A (SIGNAL CONTACT)
30A or 40A (POWER CONTACT)
- CONTACT RESISTANCE: <=7.3 m Ohms(SIGNAL and POWER)
- CONTACT/CONTACT : >=1000 V
- CONTACT/GROUND : >=1200 V
- INSULATION RESISTANCE: >=5000 MOhms

- CLIMATIC CATEGORY: 55/125/21

TEMPERATURE RANGE -55°C TO +125°C
DAMP HEAT STEADY STATE 21 DAYS
SALT SPRAY 48 HOURS

- RETENTION AGAINST TORQUE: - Threaded insert: 0.7 N.m minimum
- Female screw : 0.5 N.m minimum

NOTE RoHS INFORMATION

- The "LF" products meet european union Directives and other country regulations as described in GS-22-008.
- The housing will withstand exposure to 260°C peak temperature for 3.5 seconds in a wave solder application with a 1.6mm minimum thick circuit board. See application notes/procedures if they are available.
- Termination plating spec:
 - Signal contacts: Ni + Gold
 - Power contacts: Ni 1.27µm+Sn 2.5 to 7.5µm,pure bright
- Active area plating spec:
 - Signal and power contacts: Ni + Gold
- Shell plating :2 to 4µm Cu + Ni + 3 to 10µm Sn,pure bright
- Accessories: Sn pure bright + nickel
- Packaging spec: See GS-14-920

DBL13W3P500G30LF

Series
Shell size: **E A B C**
(see sheet 3)

Front accessory definition
(see sheet 2)

- blank**:without accessory
- L** :threaded insert M3
- O** :threaded insert UNC 4-40
- V** :female screw UNC 4-40

Layout of contacts (see sheet 3)

Contacts
P Pin

Termination type
5 Right angle/Europe standard

Plating
00 200 matings/unmatings
43 500 matings/unmatings

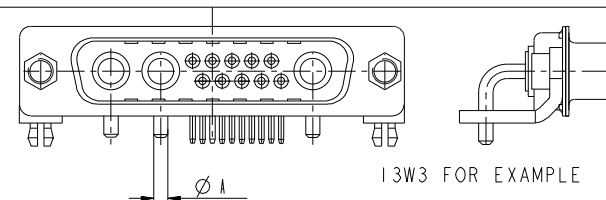
PCB accessories definition(see sheet 2)
A :without accessory
H :Metal brackets+harpoons for PCB 2.40mm
G :Metal brackets+harpoons for PCB 1.60mm
M :Metal brackets

Power contacts
00 :Not fitted with power contact (signal contacts always fitted)
30 :Fitted with power contacts 30 Amp.
40 :Fitted with power contacts 40 Amp.

See note RoHS

TABLE 1:PCB HOLE DIAMETERS

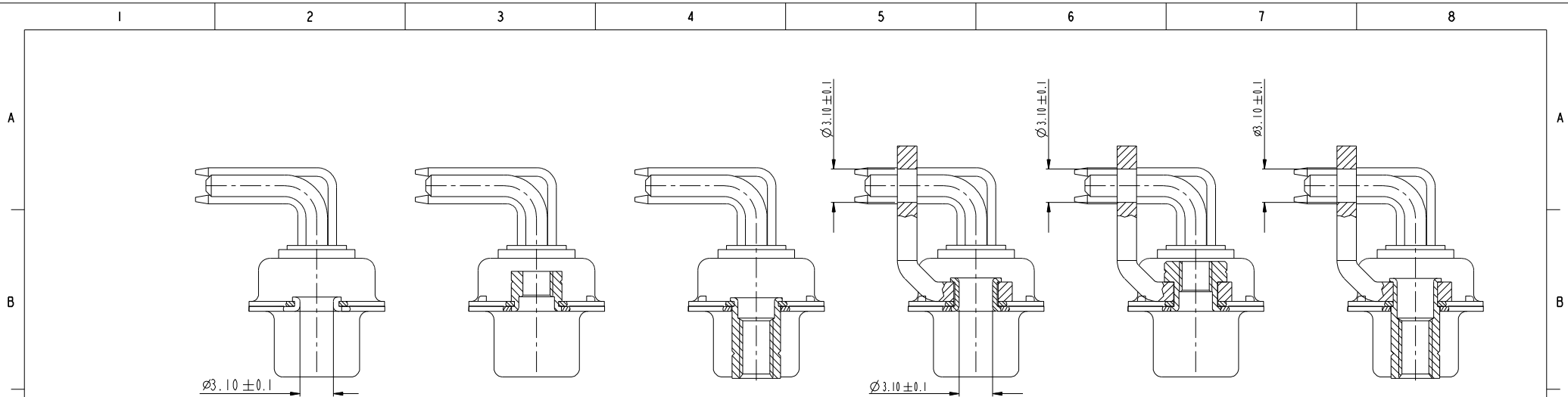
	POWER CONTACTS		ACCESSORIES	SIGNAL CONTACT
30 A	2.00	Ø2.40	Ø3.10	Ø0.9 min
40 A	2.80	Ø3.10		
Max current power	ØA ^{+0.1} / ₀	PCB HOLE ^{+/-0.1}	PCB HOLE ^{+/-0.1}	PCB HOLE



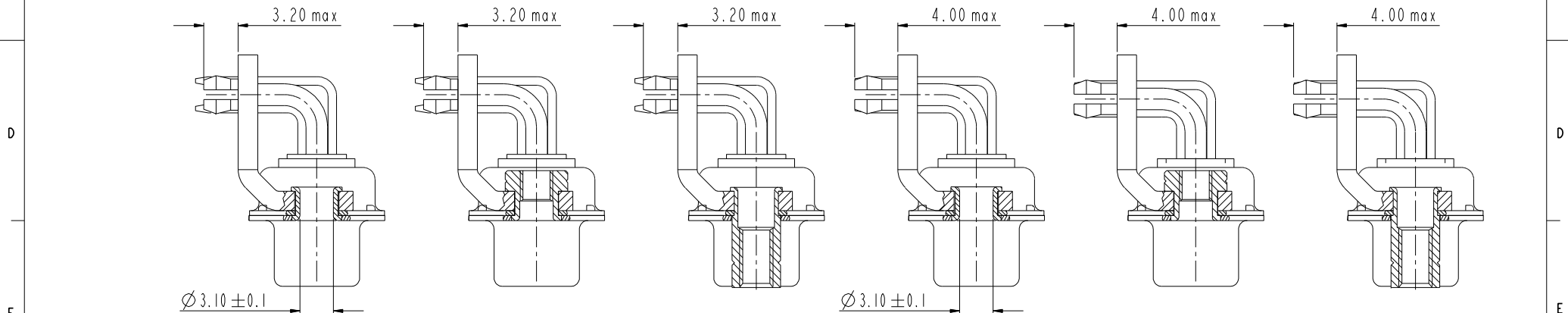
www.fciconnect.com		surface	tolerance std	projection	mm
		ISO 1302	ISO 406 ISO 1101		
		TOLERANCES UNLESS OTHERWISE SPECIFIED			
Dr	M PESSON	2005-10-11	ANGULAR	0.X	±0.3
Eng	P LEGARE	2005-10-11	LINEAR	0.XX	±0.1
Chr				0.XXX	±0.05
Appr			Product family		ECN F09-0092
					Spec ref

rev	ecn no	dr	date
A	LS05-0101	MPE	2005-10-11
B	LS06-0208	LGO	2006-12-12
C	LS07-0273	MPE	2007/10/31
D	F09-0092	LSA	2009/09/16

FCI	TITLE	Sub MALE DW EUROPE foot print	Part no	C01-8639-2304	Rev.	D
		mixed power right angled solder				



FRONT ACCESSORY	Blank Without	L insert M3 O insert UNC 4.40	V insert UNC 4.40	Blank Without	L insert M3 O insert UNC 4.40	V insert UNC 4.40
PCB ACCESSORIES	A Without	A Without	A Without	M Metal brackets	M Metal brackets	M Metal bracket



FRONT ACCESSORY	Blank Without	L insert M3 O insert UNC 4.40	V insert UNC 4.40	Blank Without	L insert M3 O insert UNC 4.40	V insert UNC 4.40
PCB ACCESSORIES	G Metal brackets + harpoons for PCB 1.60mm	G Metal brackets + harpoons for PCB 1.60mm	G Metal brackets + harpoons for PCB 1.60mm	H Metal brackets + harpoons for PCB 2.40mm	H Metal brackets + harpoons for PCB 2.40mm	H Metal brackets + harpoons for PCB 2.40mm

Copyright FCI.

www.fciconnect.com		surface ISO 1302	tolerance std ISO 406 ISO 1101	projection mm
TOLERANCES UNLESS OTHERWISE SPECIFIED				
Dr	M PESSON	2005-10-11	ANGULAR	size A2
Eng	P LEGARE	2005-10-11	LINEAR	Scale 2:1
Chr			0° ±2°	ECN F09-0092
Appr			Product family	Spec ref

SCALE: 4

FCI	TITLE SUB MALE DW EUROPE foot print mixed power right angled solder	Part no C01-8639-2304	Rev. D
------------	---	--------------------------	-----------

I 2 3 4 5 6 7 8

PART NUMBER	AMPS	MATINGS/ UNMATINGS	FRONT ACCESSORY	PCB ACCESSORIES
D*xWxP500A30LF	30	200	without	without
D*LxWxP500A30LF	30	200	insert M3	without
D*OxWxP500A30LF	30	200	insert UNC 4.40	without
D*VxWxP500A30LF	30	200	female screw UNC 4.40	without
D*xWxP500H30LF	30	200	without	metal bracket+harpoon PCB 2.40mm
D*LxWxP500H30LF	30	200	insert M3	metal bracket+harpoon PCB 2.40mm
D*OxWxP500H30LF	30	200	insert UNC 4.40	metal bracket+harpoon PCB 2.40mm
D*VxWxP500H30LF	30	200	female screw UNC 4.40	metal bracket+harpoon PCB 2.40mm
D*xWxP500G30LF	30	200	without	metal bracket+harpoon PCB 1.60mm
D*LxWxP500G30LF	30	200	insert M3	metal bracket+harpoon PCB 1.60mm
D*OxWxP500G30LF	30	200	insert UNC 4.40	metal bracket+harpoon PCB 1.60mm
D*VxWxP500G30LF	30	200	female screw UNC 4.40	metal bracket+harpoon PCB 1.60mm
D*xWxP500M30LF	30	200	without	metal bracket
D*LxWxP500M30LF	30	200	insert M3	metal bracket
D*OxWxP500M30LF	30	200	insert UNC 4.40	metal bracket
D*VxWxP500M30LF	30	200	female screw UNC 4.40	metal bracket

PART NUMBER	AMPS	MATINGS/ UNMATINGS	FRONT ACCESSORY	PCB ACCESSORIES
D*xWxP500A40LF	40	200	without	without
D*LxWxP500A40LF	40	200	insert M3	without
D*OxWxP500A40LF	40	200	insert UNC 4.40	without
D*VxWxP500A40LF	40	200	female screw UNC 4.40	without
D*xWxP500H40LF	40	200	without	metal bracket+harpoon PCB 2.40mm
D*LxWxP500H40LF	40	200	insert M3	metal bracket+harpoon PCB 2.40mm
D*OxWxP500H40LF	40	200	insert UNC 4.40	metal bracket+harpoon PCB 2.40mm
D*VxWxP500H40LF	40	200	female screw UNC 4.40	metal bracket+harpoon PCB 2.40mm
D*xWxP500G40LF	40	200	without	metal bracket+harpoon PCB 1.60mm
D*LxWxP500G40LF	40	200	insert M3	metal bracket+harpoon PCB 1.60mm
D*OxWxP500G40LF	40	200	insert UNC 4.40	metal bracket+harpoon PCB 1.60mm
D*VxWxP500G40LF	40	200	female screw UNC 4.40	metal bracket+harpoon PCB 1.60mm
D*xWxP500M40LF	40	200	without	metal bracket
D*LxWxP500M40LF	40	200	insert M3	metal bracket
D*OxWxP500M40LF	40	200	insert UNC 4.40	metal bracket
D*VxWxP500M40LF	40	200	female screw UNC 4.40	metal bracket

shell size * LAYOUTS
xWx

E 5W1
A 11W1
A 7W2
B 21W1
B 17W2
B 13W3
B 9W4
C 25W3
C 21WA4
C 27W2

PART NUMBER	AMPS	MATINGS/ UNMATINGS	FRONT ACCESSORY	PCB ACCESSORIES
D*xWxP543A30LF	30	500	without	without
D*LxWxP543A30LF	30	500	insert M3	without
D*OxWxP543A30LF	30	500	insert UNC 4.40	without
D*VxWxP543A30LF	30	500	female screw UNC 4.40	without
D*xWxP543H30LF	30	500	without	metal bracket+harpoon PCB 2.40mm
D*LxWxP543H30LF	30	500	insert M3	metal bracket+harpoon PCB 2.40mm
D*OxWxP543H30LF	30	500	insert UNC 4.40	metal bracket+harpoon PCB 2.40mm
D*VxWxP543H30LF	30	500	female screw UNC 4.40	metal bracket+harpoon PCB 2.40mm
D*xWxP543G30LF	30	500	without	metal bracket+harpoon PCB 1.60mm
D*LxWxP543G30LF	30	500	insert M3	metal bracket+harpoon PCB 1.60mm
D*OxWxP543G30LF	30	500	insert UNC 4.40	metal bracket+harpoon PCB 1.60mm
D*VxWxP543G30LF	30	500	female screw UNC 4.40	metal bracket+harpoon PCB 1.60mm
D*xWxP543M30LF	30	500	without	metal bracket
D*LxWxP543M30LF	30	500	insert M3	metal bracket
D*OxWxP543M30LF	30	500	insert UNC 4.40	metal bracket
D*VxWxP543M30LF	30	500	female screw UNC 4.40	metal bracket

PART NUMBER	AMPS	MATINGS/ UNMATINGS	FRONT ACCESSORY	PCB ACCESSORIES
D*xWxP543A40LF	40	500	without	without
D*LxWxP543A40LF	40	500	insert M3	without
D*OxWxP543A40LF	40	500	insert UNC 4.40	without
D*VxWxP543A40LF	40	500	female screw UNC 4.40	without
D*xWxP543H40LF	40	500	without	metal bracket+harpoon PCB 2.40mm
D*LxWxP543H40LF	40	500	insert M3	metal bracket+harpoon PCB 2.40mm
D*OxWxP543H40LF	40	500	insert UNC 4.40	metal bracket+harpoon PCB 2.40mm
D*VxWxP543H40LF	40	500	female screw UNC 4.40	metal bracket+harpoon PCB 2.40mm
D*xWxP543G40LF	40	500	without	metal bracket+harpoon PCB 1.60mm
D*LxWxP543G40LF	40	500	insert M3	metal bracket+harpoon PCB 1.60mm
D*OxWxP543G40LF	40	500	insert UNC 4.40	metal bracket+harpoon PCB 1.60mm
D*VxWxP543G40LF	40	500	female screw UNC 4.40	metal bracket+harpoon PCB 1.60mm
D*xWxP543M40LF	40	500	without	metal bracket
D*LxWxP543M40LF	40	500	insert M3	metal bracket
D*OxWxP543M40LF	40	500	insert UNC 4.40	metal bracket
D*VxWxP543M40LF	40	500	female screw UNC 4.40	metal bracket

Copyright FCI. FCI

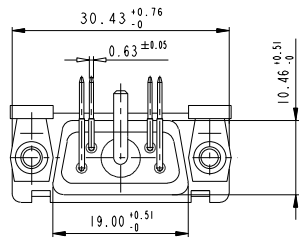
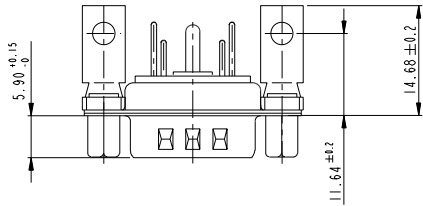
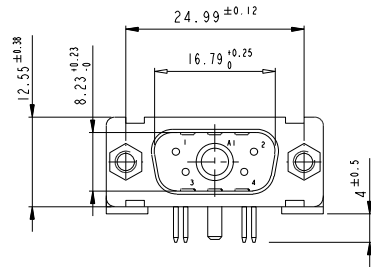
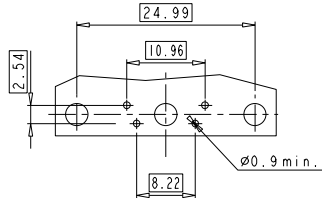
www.fciconnect.com		surface ISO 1302	tolerance std ISO 406 ISO 1101	projection mm
TOLERANCES UNLESS OTHERWISE SPECIFIED		size		
Dr M PESSON 2005-10-11	ANGULAR	0.X	±0.3	A2
Eng P LEGARE 2005-10-11	LINEAR	0.XX	±0.1	Scale 2:1
Chr	0° ±2°	0.XXX	±0.05	ECN F09-0092
Appr	Product family	Spec ref		

FCI SUB MALE DW EUROPE foot print mixed power right angled solder

Part no C01-8639-2304 Rev. D

5W1

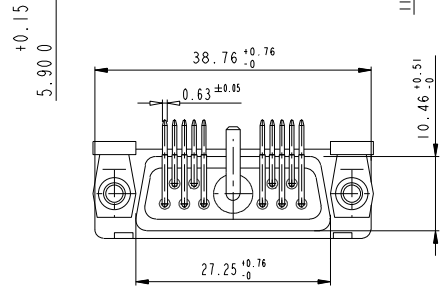
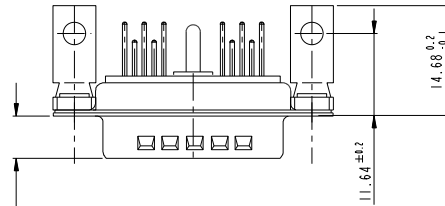
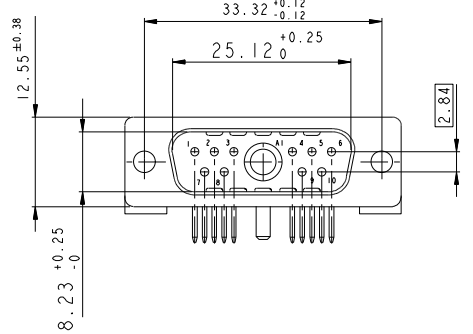
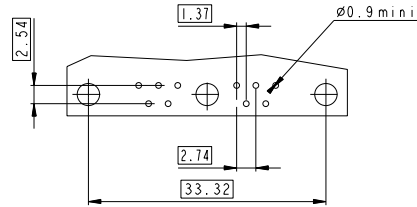
LAYOUT AND CONNECTOR DIMENSIONS
For PCB hole diameters see table 1 sheet 1



Floating signal contacts

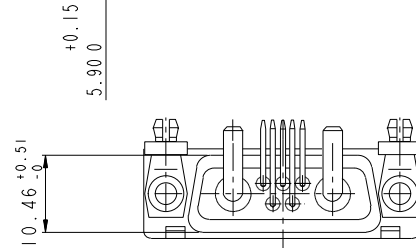
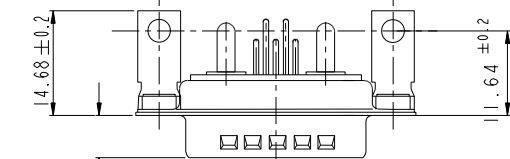
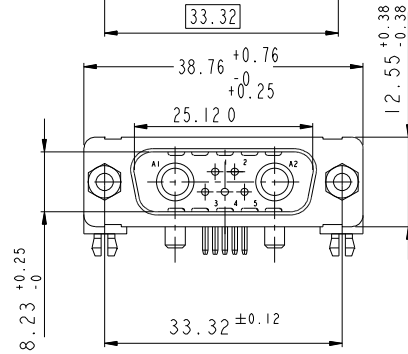
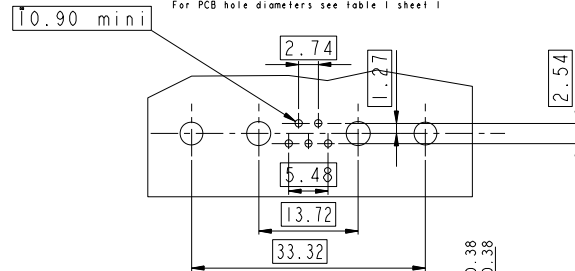
11W1

LAYOUT AND CONNECTOR DIMENSIONS
For PCB hole diameters see table 1 sheet 1

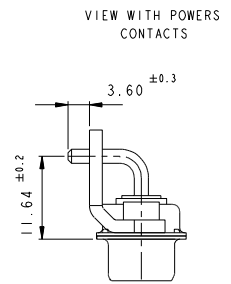
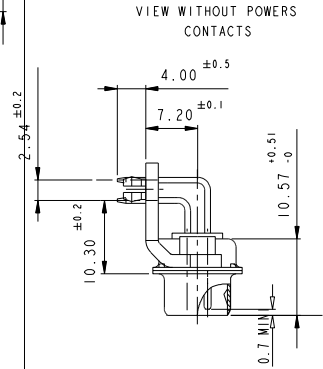


7W2

LAYOUT AND CONNECTOR DIMENSIONS
For PCB hole diameters see table 1 sheet 1



SIDE VIEW FOR ALL LAYOUTS



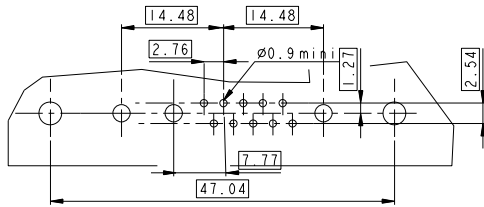
www.fciconnect.com		surface ISO 1302	tolerance std ISO 406 ISO 1101	projection	mm
		TOLERANCES UNLESS OTHERWISE SPECIFIED			
Dr	M PESSON	2005-10-11	ANGULAR	size A2	Scale 2:1
Eng	P LEGARE	2005-10-11	LINEAR		
Chr			0° ±2°	ECN F09-0092	
Appr			Product family	Spec ref	

FCI	TITLE SUB MALE DW EUROPE foot print mixed power right angled solder	eng no C01-8639-2304	Rev. D
-----	---	----------------------	--------

13W3

LAYOUT AND CONNECTOR DIMENSIONS

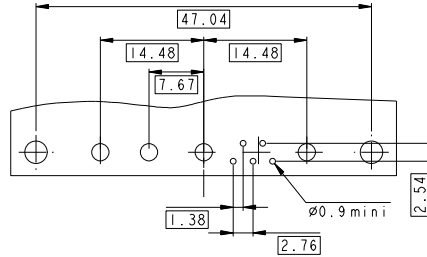
For PCB hole diameters see table 1 sheet 1



9W4

LAYOUT AND CONNECTOR DIMENSIONS

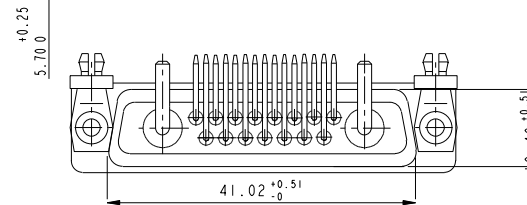
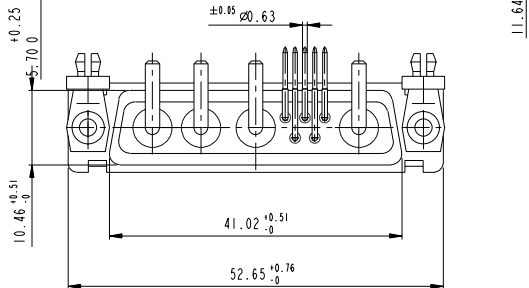
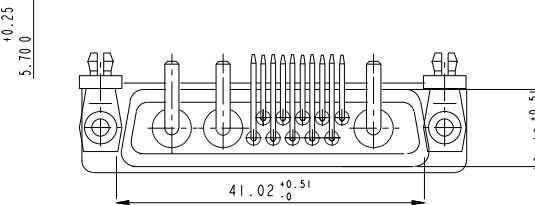
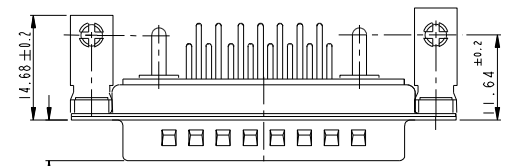
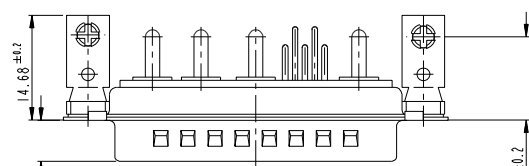
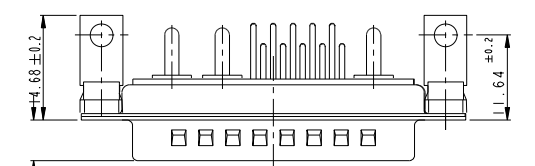
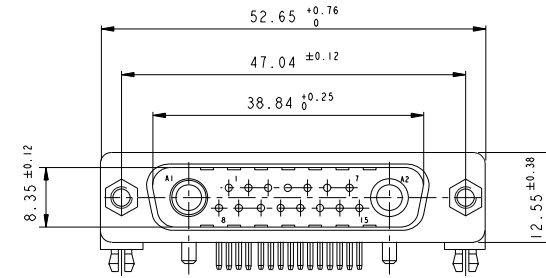
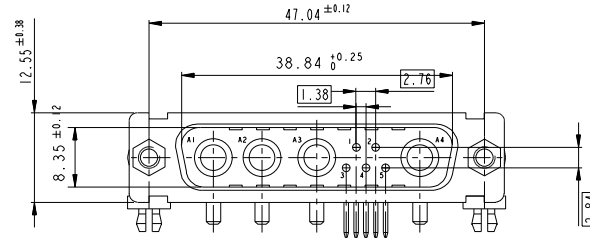
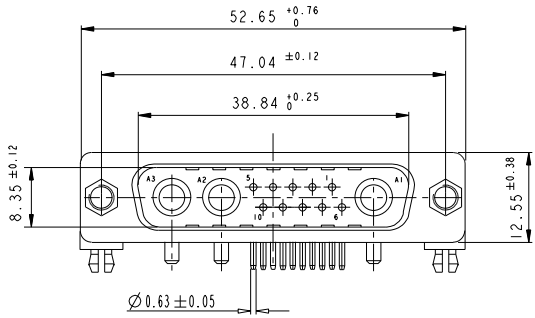
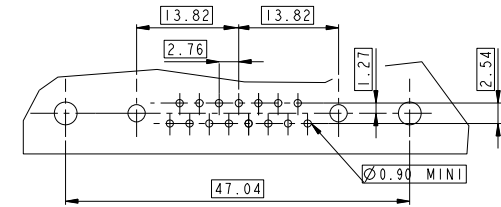
For PCB hole diameters see table 1 sheet 1



17W2

LAYOUT AND CONNECTOR DIMENSIONS

For PCB hole diameters see table 1 sheet 1



Copyright FCI

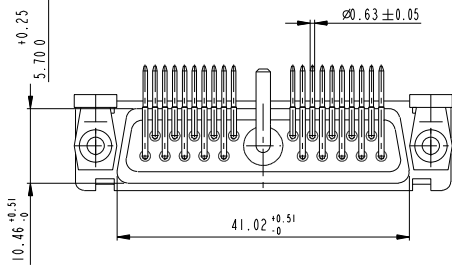
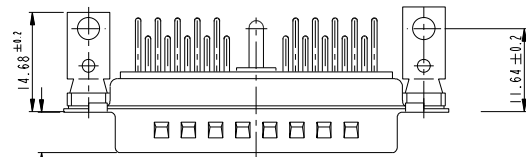
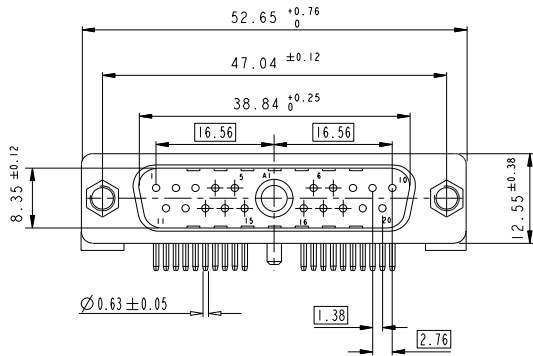
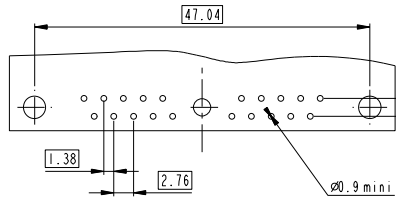
www.fciconnect.com		surface ISO 1302	tolerance std ISO 406 ISO 1101	projection	mm
		TOLERANCES UNLESS OTHERWISE SPECIFIED			
Dr	M PESSON	2005-10-11	ANGULAR	0.X ±0.3	size A2
Eng	P LEGARE	2005-10-11	LINEAR	0.XX ±0.1	Scale 2:1
Chr			0° ±2°	0.XXX ±0.05	ECN F09-0092
Appr			Product family	-	Spec ref

FCI	TITLE	SUB MALE DW EUROPE foot print mixed power right angled solder	eng no	C01-8639-2304	Rev.	D
-----	-------	--	--------	---------------	------	---

21W1

LAYOUT AND CONNECTOR DIMENSIONS

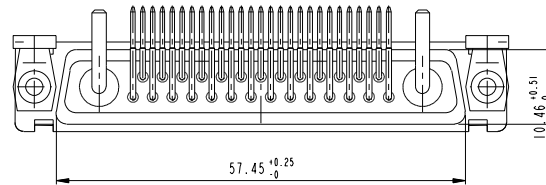
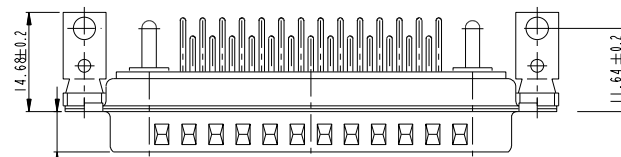
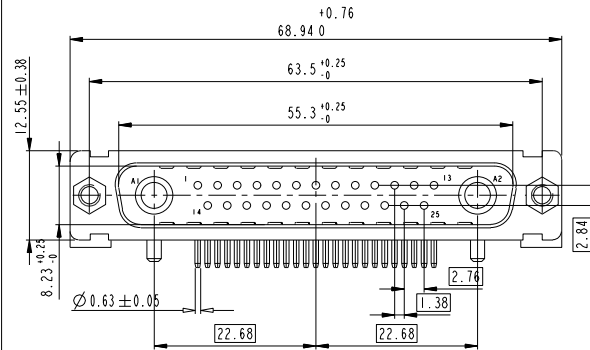
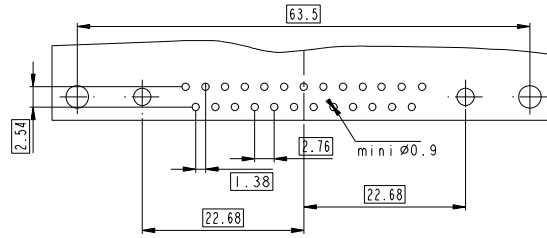
For PCB hole diameters see table 1 sheet 1



27W2

LAYOUT AND CONNECTOR DIMENSIONS

For PCB hole diameters see table 1 sheet 1



Copyright FCI

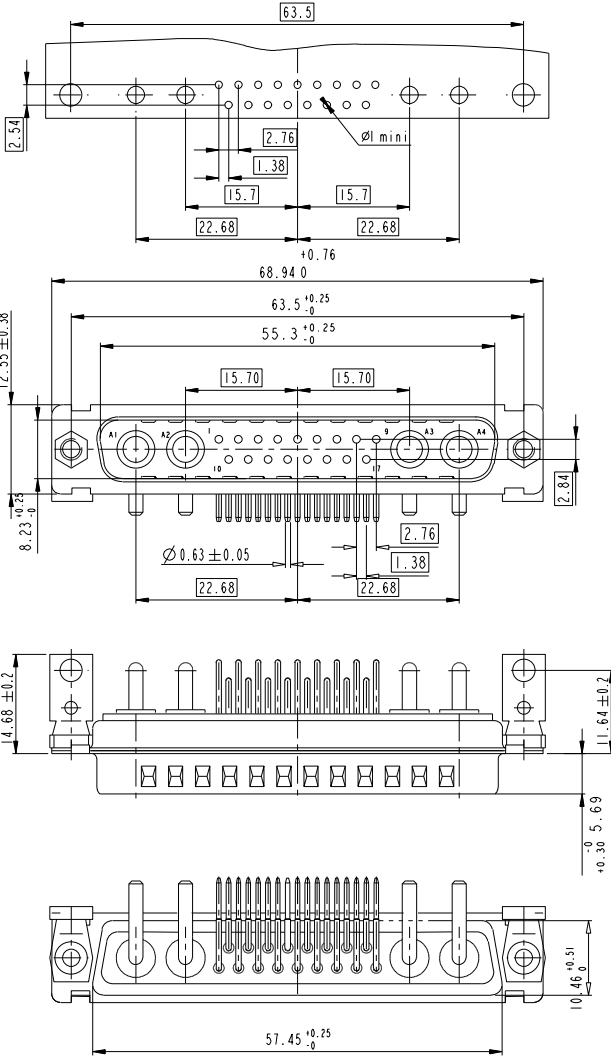


www.fciconnect.com		surface ISO 1302	tolerance std ISO 406 ISO 1101	projection mm
TOLERANCES UNLESS OTHERWISE SPECIFIED				
Dr	M PESSON	2005-10-11	ANGULAR	size A2
Eng	P LEGARE	2005-10-11	LINEAR	Scale 2:1
Chr			0° ±2°	ECN F09-0092
Appr			Product family	Spec ref

	TITLE SUB MALE DW EUROPE foot print mixed power right angled solder	drawing no C01-8639-2304	Rev. D
--	---	-----------------------------	-----------

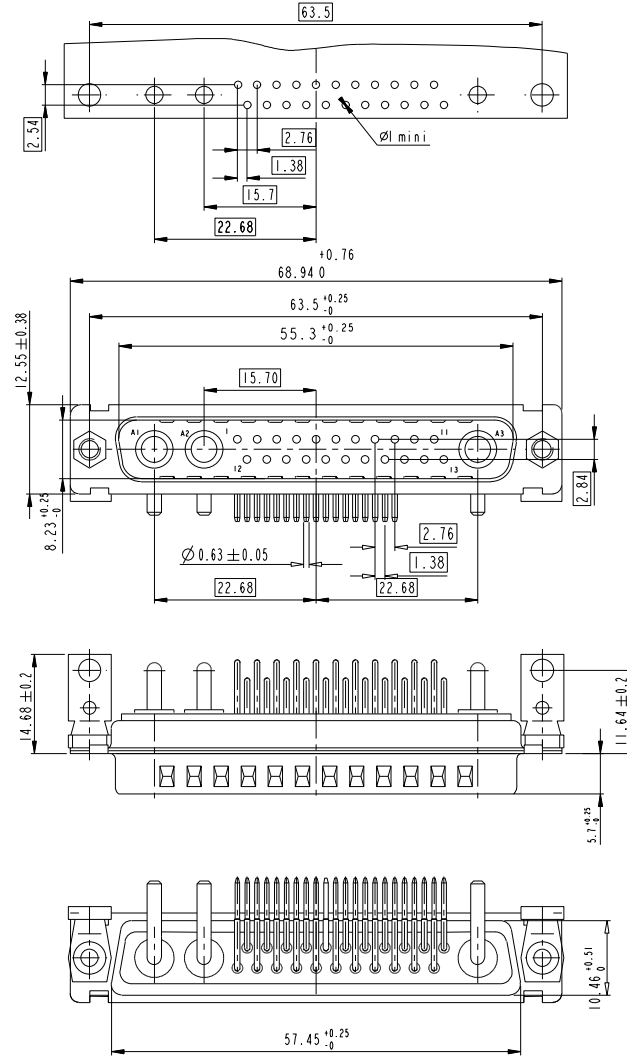
21WA4

LAYOUT AND CONNECTOR DIMENSIONS
For PCB hole diameters see Table I sheet 1



25W3

LAYOUT AND CONNECTOR DIMENSIONS
For PCB hole diameters see Table I sheet 1



Copyright FCI

www.fciconnect.com		surface ISO 1302	tolerance std ISO 406 ISO 1101	projection mm
TOLERANCES UNLESS OTHERWISE SPECIFIED				
Dr	M PESSON	2005-10-11	ANGULAR	size A2
Eng	P LEGARE	2005-10-11	LINEAR	Scale 2:1
Chr			0° ± 2°	ECN F09-0092
Appr			Product family	Spec ref

FCI	TITLE	SUB MALE DW EUROPE foot print mixed power right angled solder	eng no	C01-8639-2304	Rev.	D
-----	-------	--	--------	---------------	------	---