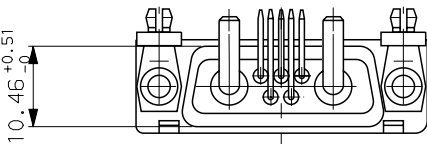
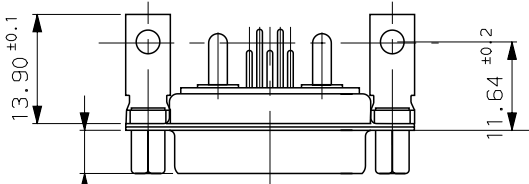
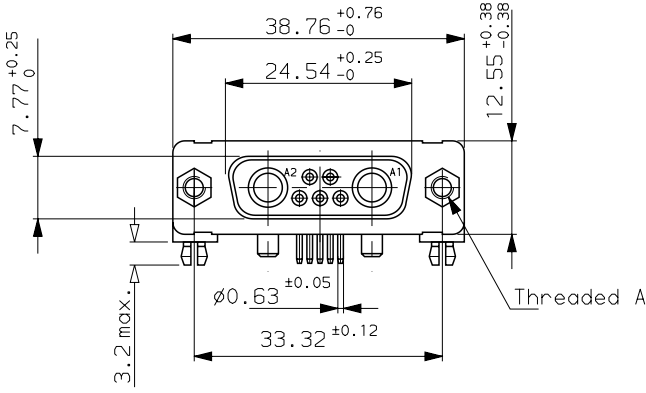
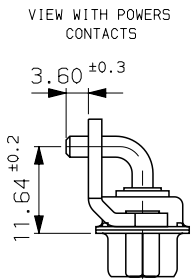
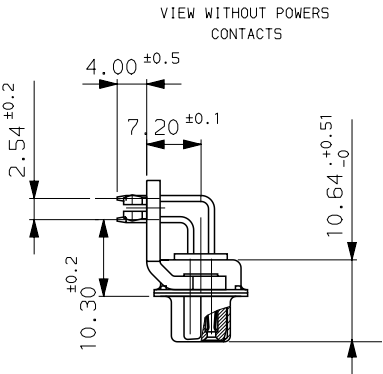
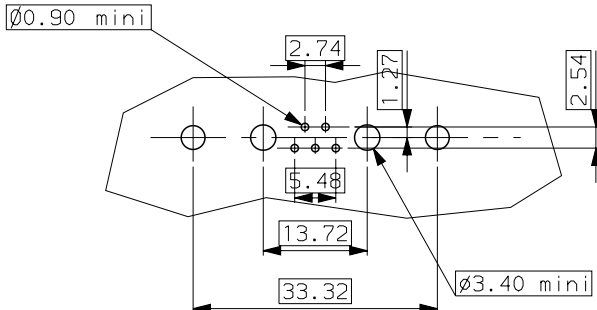


GENERAL CHARACTERISTICS : SEE DRAWING C01-8639-0000



LAYOUT DIMENSIONS (after plating)
CONNECTOR SIDE VIEW



DAV7W2S500G40	UNC 4.40
DAI7W2S500G40	M3
PART NUMBER	Threaded A

b	30/10/03	update	--
ISS	DATE	Latest modification by : BART.5	MOD N°
Designed by: JARRY		date 06/11/95	Type of drawing: CLIENT
TITLE : SOCKET CONNECTOR RIGHT ANGLED WITH POWERS CONTACTS			SHEET 01
SCALE: 1.5			
		This document is the property of FRAMATOME CONNECTORS FRANCE. It must not be reproduced or communicated without permission in writing from the owners.	
FORMAT	SOURIAU DRG N°		PROJECT
A3	C01-8639-0598		M94D001