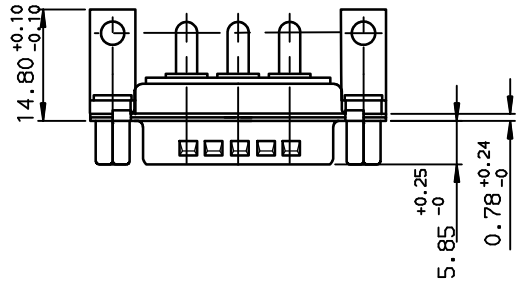
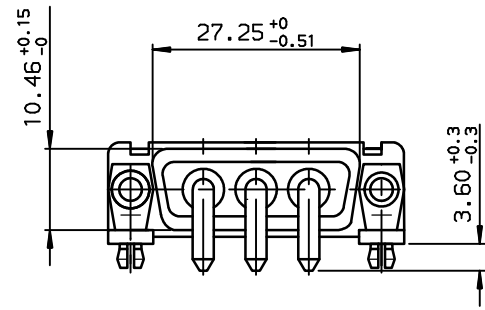
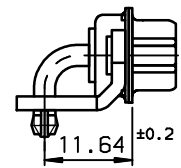
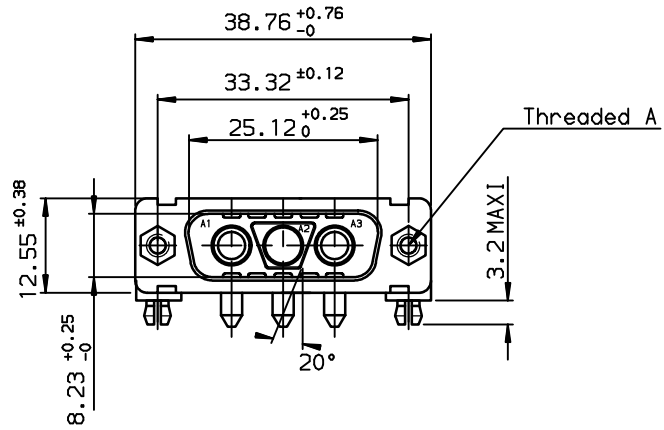
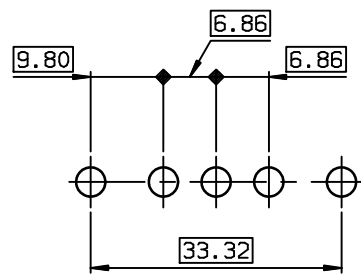


GENERAL CHARACTERISTICS : SEE DRAWING C01-8639-0001



DAI3V3P500G30	M3
DAV3V3P500G30	UNC 4.40
DAI3V3P500G40	M3
DAV3V3P500G40	UNC 4.40
PART NUMBER	Threaded A

LAYOUT DIMENSIONS (after plating)
CONNECTOR SIDE VIEW



European Views

www.fciconnect.com		surface ISO 1302 ✓	tolerance std ISO 406 ISO 1101	projection mm
TOLERANCES UNLESS OTHERWISE SPECIFIED		ANGULAR	LINEAR	size A3
Dr	JARRY	2001/01/04	0.x	±0.1
Eng	JARRY	2001/01/04	0.xx	±0.1
Chr	LEGARE	2001/01/04	0.xxx	±0.1
Appr	LEGARE	2001/01/04	Product family	D-SUB
FCI		title PIN CONNECTOR FOR POWERS CONTACTS		Rev. D
catalog no		-		sheet 1 of 1

rev	ecn no	dr	date
C	-	DEB	2003/09/29
D	LS06-0097	LGO	2006/07/28
-	-	-	-
-	-	-	-
-	-	-	-
-	-	-	-



Copyright FCI.