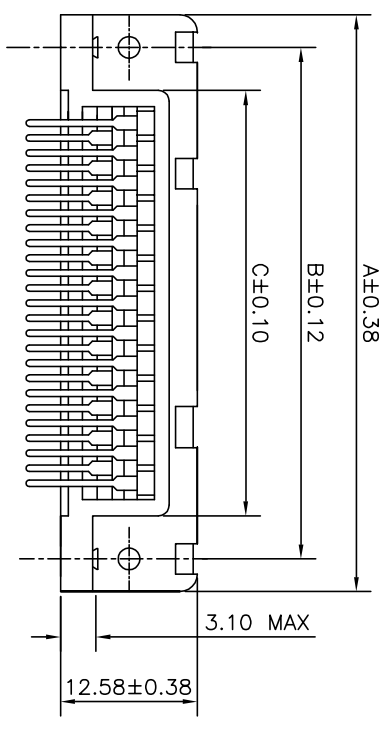
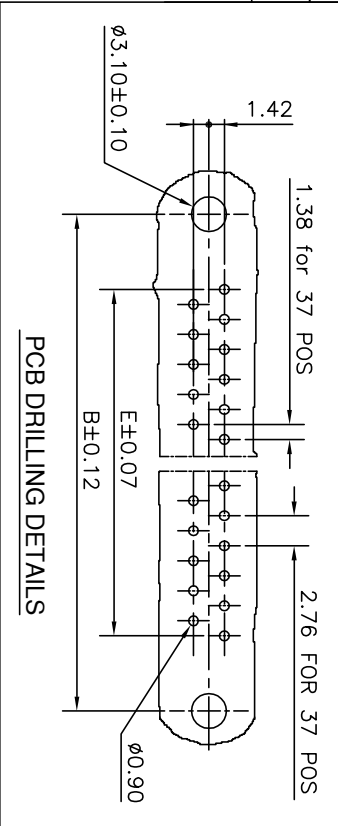
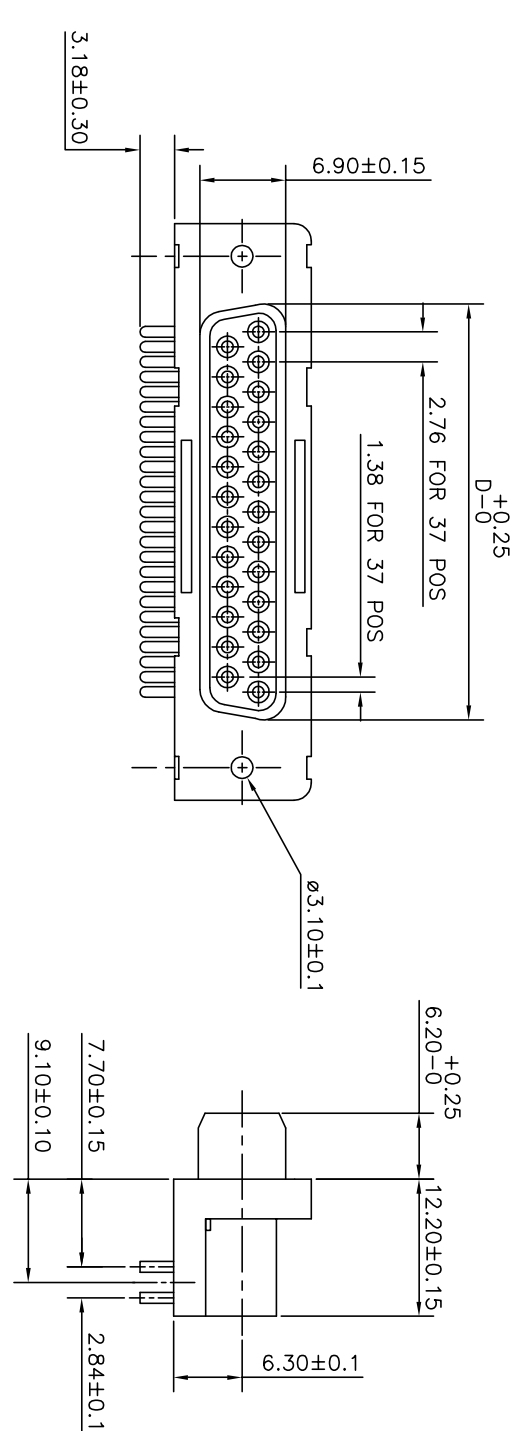
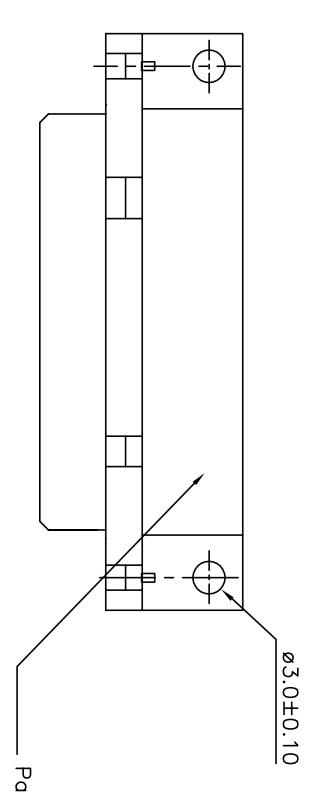
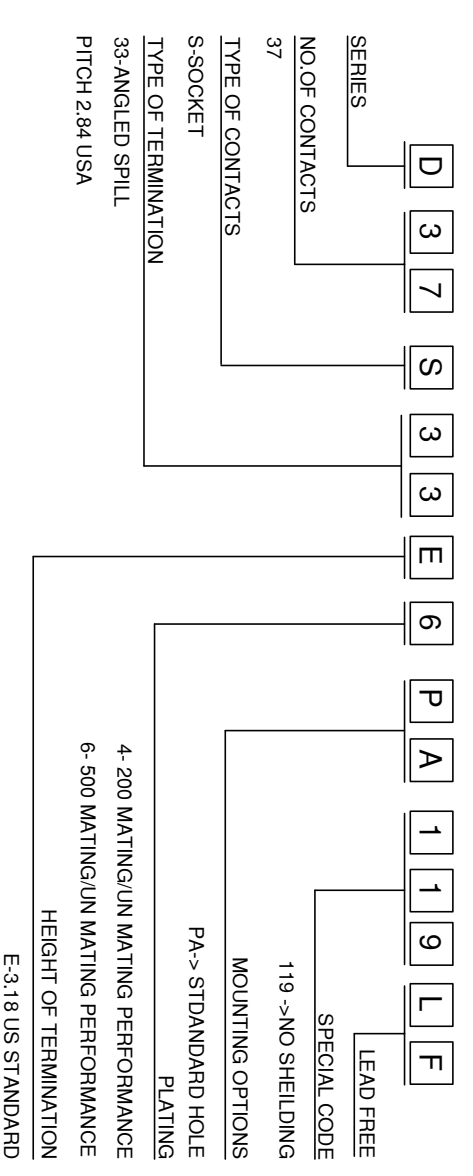


37	69.32	63.50	55.68	53.75	49.68
SHELL	A	B	C	D	E



ORDERING INFORMATION



TECHNICAL SPECIFICATIONS

MATERIAL
INSULATORS : SELF EXTINGUISHING BLACK POLYESTER UL CLASS 94V0
THE HOUSING WILL WITHSTAND EXPOSURE TO 260-265°C
IF WE USE PROTECTIVE ADHESIVE (type Kapton or Teflon)
OR PROTECTIVE METALLIC DEVICE

CONTACTS
: COPPER ALLOY

PLATING
: GOLD OVER NICKEL

ACTIVE ZONE
: 2µMIN.MATTE TIN TOP OVER

TERMINATION ZONE
: 1.27µMIN.NICKEL UNDER PLATE(ON TERMINATION ZONE)

ELECTRICAL DATA
MAX.CURRENT RATING : 5A
TEST VOLTAGE : 1000V
RATED VOLTAGE : 300V
CONTACT RESISTANCE : ≤ 25mΩ
INSULATION RESISTANCE : ≥ 5000MΩ

ENVIRONMENTAL CHARACTERISTICS
OPERATING TEMPERATURE RANGE : -55°C +125°C

MECHANICAL CHARACTERISTICS
INSERTION/EXTRACTION FORCE PER CONTACT : 5 N Max/ 0.3 N Min.

mat'l. code	ISO 1302	tolerance	ISO 406 ISO 1101	projection	MM	product family	DELTA-D
tr	ecn no	dr	date	angles	linear	title	DELTA-D A/S FEMALE CONNECTOR (PA SPL.)
A	I07-0114	AS	2007/09/06	0°±1°	0.00±0.1	dwg no	C-DD-0124
sheet index	revision	sheet	1	dr	GEORGE V.JOSEPH	2007/04/13	sheet 1 of 1
				enr	GEORGE V.JOSEPH	2007/04/13	size
				chr	ANISH SALAM	2007/09/06	A3
				pppd	BIJUK PAUL	2007/09/06	type
							Product Customer Drawing