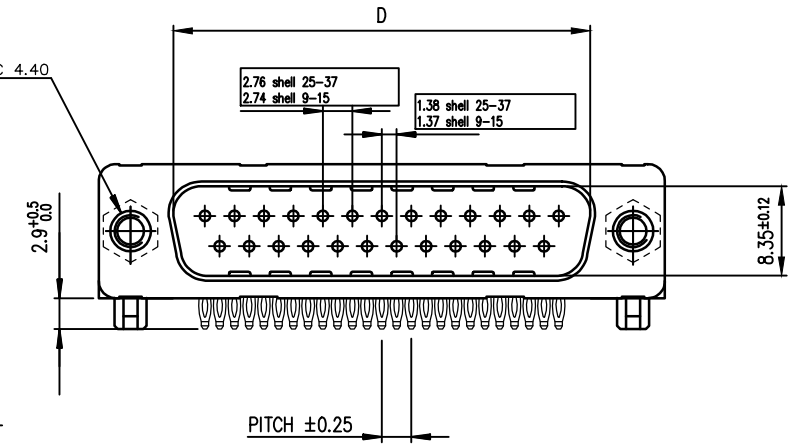
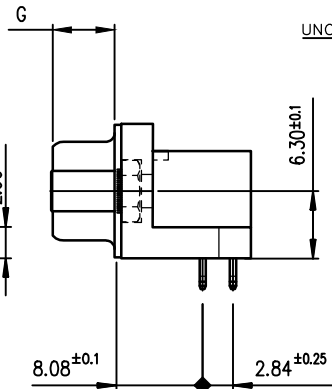
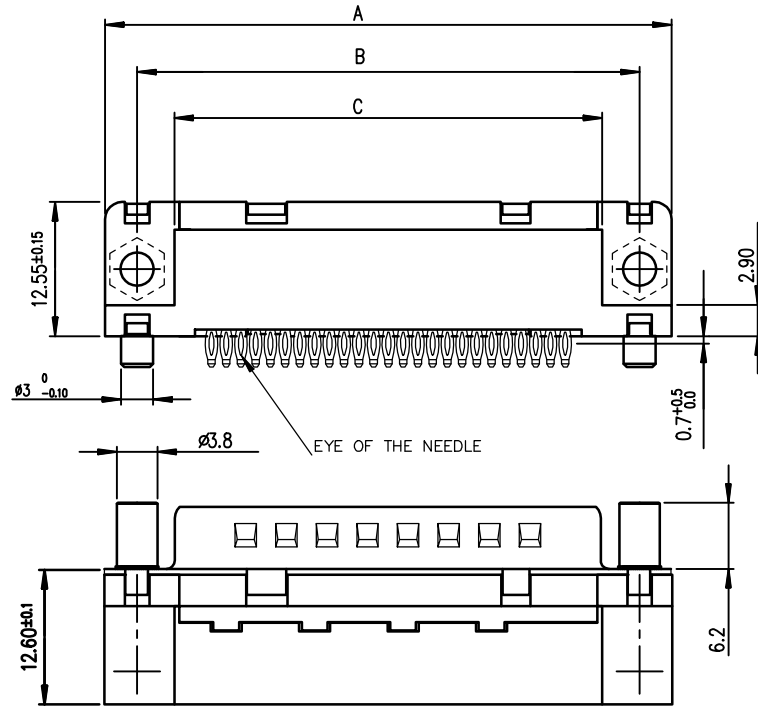
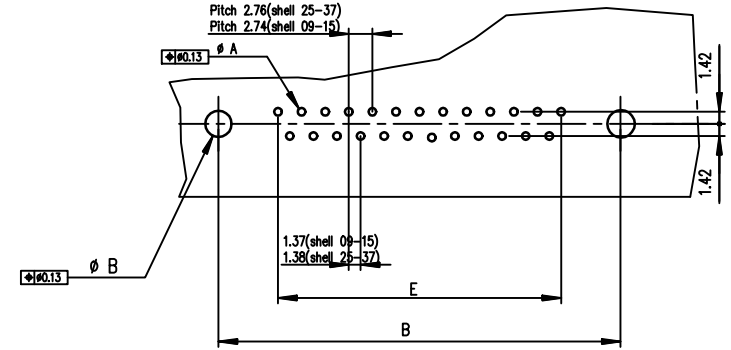


view shown without plastic pin

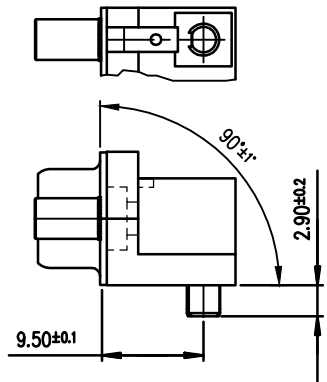


PC card drilling dimensions(after plating)
(thickness 1.60 or 2.40±0.20mm)



SHELL	A±0.38	B±0.12	C±0.10	D +0.25	E±0.07	G	PART NUMBER	PART NUMBER
09	30.81	24.99	18.00	16.79	10.96	5.90 +0.15	D09P80C4PV00	D09P80C6PV00
15	39.14	33.32	26.32	25.12	19.18	5.90 +0.15	D15P80C4PV00	D15P80C6PV00
25	53.03	47.04	40.04	38.84	33.12	5.70 +0.25	D25P80C4PV00	D25P80C6PV00
37	69.32	63.50	56.50	55.30	49.68	5.70 +0.25	D37P80C4PV00	D37P80C6PV00
							Gold flash	0,76 > gold

Detail of plastic pin



GENERAL CHARACTERISTICS AND ROHS INFORMATIONS:

SEE DRAWING C01-8646-0001

mat'l. code		surface ISO 1302		tolerance ISO 406 ISO 1101		projection		product family D-SUB	
ltr ecn no dr date		tolerances unless otherwise specified		angles linear		MM		title	
E	ELX-I-17859	MP	2014/06/06	0°±2'		scale 2:1		MALE CONNECTOR DELTA-D US RIGHT ANGLED PRESS FIT	
dr		PESSON 1995/10/27		engr		MITHUN PAUL 2014/06/06		dwg no sheet 1 of 1 size	
chr		ALIAS BABU 2014/06/06		appd		BIJU K PAUL 2014/06/06		C01-8646-0407 A3	
sheet index		revision sheet		E 1				type Product Customer Drawing	

