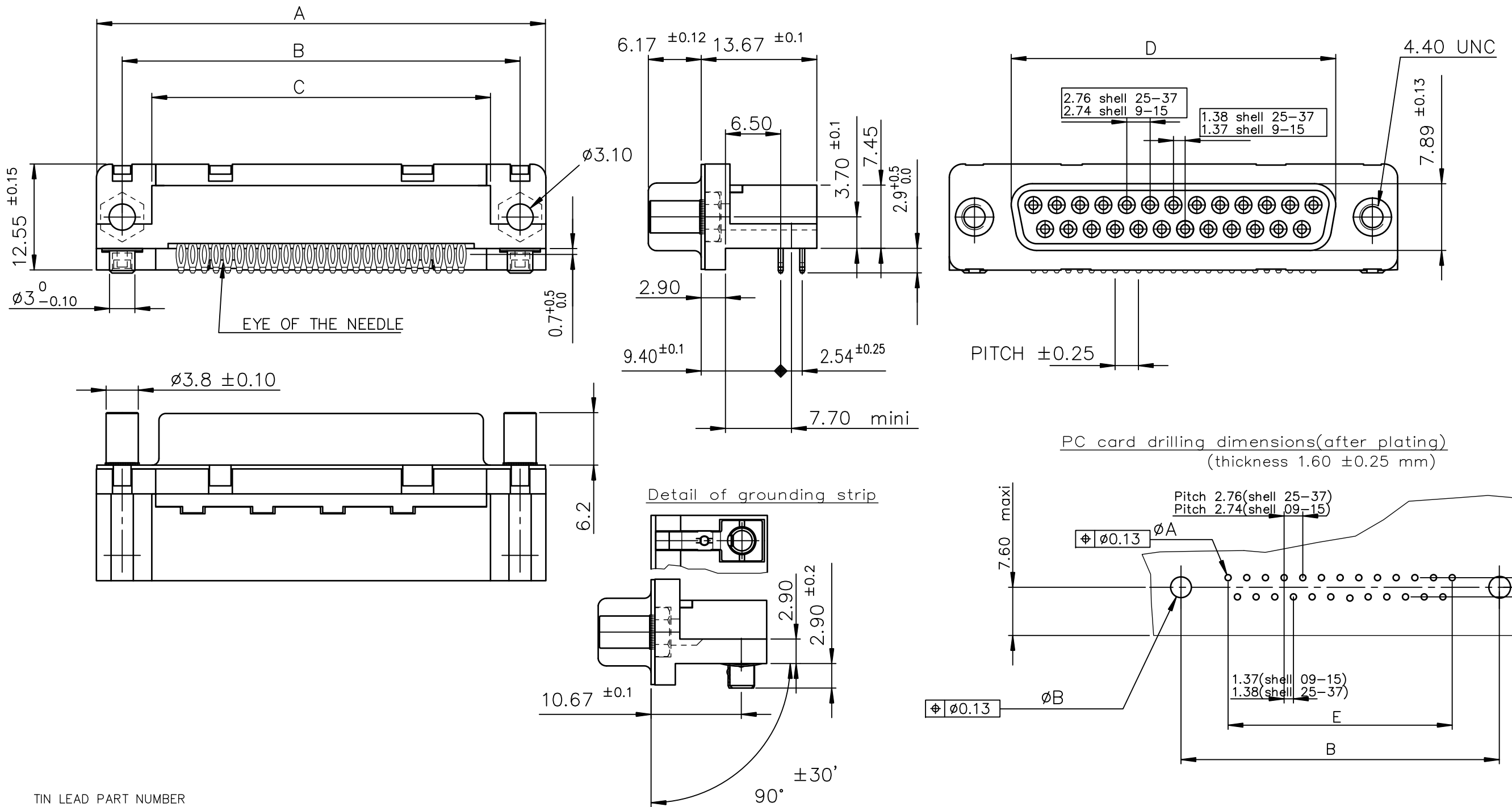


view shown without grounding and plastic pin



TIN LEAD PART NUMBER

| SHELL | A±0.38 | B±0.12 | C±0.10 | D±0.25 | E±0.07 | PART NUMBER  | PART NUMBER  |
|-------|--------|--------|--------|--------|--------|--------------|--------------|
| 09    | 30.81  | 24.99  | 18.00  | 16.21  | 10.96  | D09S82C4GV00 | D09S82C6GV00 |
| 15    | 39.14  | 33.32  | 26.32  | 24.54  | 19.18  | D15S82C4GV00 | D15S82C6GV00 |
| 25    | 53.03  | 47.04  | 40.04  | 38.25  | 33.12  | D25S82C4GV00 | D25S82C6GV00 |
| 37    | 69.32  | 63.50  | 56.50  | 54.71  | 49.68  | D37S82C4GV00 | D37S82C6GV00 |
|       |        |        |        |        |        | Gold flash   | 0.76 μ gold  |

LEAD FREE PART NUMBER

| SHELL | A±0.38 | B±0.12 | C±0.10 | D±0.25 | E±0.07 | PART NUMBER    | PART NUMBER    |
|-------|--------|--------|--------|--------|--------|----------------|----------------|
| 09    | 30.81  | 24.99  | 18.00  | 16.21  | 10.96  | D09S82C4GV00LF | D09S82C6GV00LF |
| 15    | 39.14  | 33.32  | 26.32  | 24.54  | 19.18  | D15S82C4GV00LF | D15S82C6GV00LF |
| 25    | 53.03  | 47.04  | 40.04  | 38.25  | 33.12  | D25S82C4GV00LF | D25S82C6GV00LF |
| 37    | 69.32  | 63.50  | 56.50  | 54.71  | 49.68  | D37S82C4GV00LF | D37S82C6GV00LF |
|       |        |        |        |        |        | Gold flash     | 0.76 μ gold    |

GENERAL CHARACTERISTICS AND ROHS INFORMATIONS:

SEE DRAWING C01-8646-0001

|             |  |                |    |                  |  |   |  |  |  |
|-------------|--|----------------|----|------------------|--|---|--|--|--|
| mat'l. code |  | surface        |    | tolerance        |  | projection  |  | product family   |  |
| -           |  | ISO 1302 ✓     |    | ISO 406 ISO 1101 |  |   |  | D-SUB  |  |
| ltr         |  | ecn no         | dr | date             |  | tolerances unless otherwise specified   |  | title  |  |
| H           |  | ELX-I-18050    | MP | 2014/06/23       |  | .0±0.1<br>.00±0.1<br>.000±0.1   |  | DELTA-D FEMALE CONNECTOR EUROSTYLE<br>RIGHT ANGLED PRESS FIT |  |
|             |  |                |    |                  |  | angles linear<br>0°±2°  |  |  |  |
|             |  |                |    |                  |  | dr PESSON 1995/10/17<br>engr MITHUN PAUL 2014/06/23<br>chr ALIAS BABU 2014/06/23<br>appd BIJU K PAUL 2014/06/23 |  | scale 2:1<br>dwg no sheet 1 of 1 s<br>C01-8646-0391 A        |  |
| sheet index |  | revision sheet |    | H                |  |   |  | type Product Customer Drawin                                 |  |
|             |  | 1              |    |                  |  |   |  |  |  |