

**D** **X** **X** **S** **3** **3** **E** **6** **X** **X**  **L** **F**

**SERIES**

**NO.OF CONTACTS**

09,15,25,37

**TYPE OF CONTACTS**

S-SOCKET

**TYPE OF TERMINATION**

33-ANGLED SPILL

PITCH 2.84 USA

FOOT PRINT 8.08 USA

**HEIGHT OF TERMINATION**

E-2.00mm COMPATIBLE FOR 1.6mm PCB

**RoHS INFORMATIONS**

"This LF product meets European Union Directives and other country regulations as described in GS-22-008"

The housing will withstand exposure to 260°C peak temperature for 30 seconds in a convection,infra-red or vapor reflow oven solder application.

Packaging as per GS-14-920

**PRODUCT SPECIFICATION**

See :- GS-12-433

**PACKAGING SPECIFICATION**

See :- GS-14-1139

SEE NOTE RoHS

**PACKAGING SPECIFICATION**

- 12 - HEAT SEALING TAPE & REEL PACKAGING
- 09 - TRAY PACKAGING
- 132 - PRESSURE SEALING TAPE & REEL PACKAGING

**MOUNTING OPTIONS**

- RV-> LIF METAL PEG +F.SCREW LOCK UNC 4 40+METAL BRACKET
- RL-> LIF METAL PEG+ INSERT M3+METAL BRACKET
- RX-> LIF METAL PEG + INSERT UNC 4-40 +METAL BRACKET

**PLATING**

- 6 :> 500 Mating/Un-mating performance
- 4 :> 200 Mating/Un-mating performance



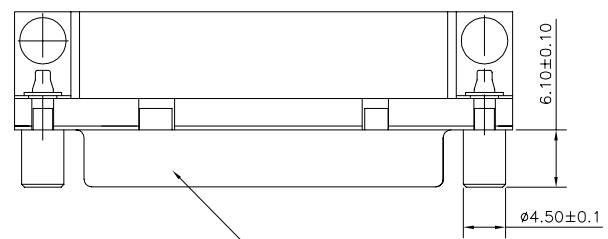
Copyright FCI

mat'l. code SEE.TECH.SPEC				surface ISO 1302 <input checked="" type="checkbox"/> ISO 406 ISO 1101		tolerance tolerances unless otherwise specified		projection MM		product family DELTA-D		
ltr	ecn no	dr	date	angles	linear			MM		title DELTA-D A/S FEMALE PIP CONNECTOR US VERSION		
A	107-0167	AS	2007-12-04									
B	108-0175	AS	2009-01-14									
C	109-0130	AS	2009-07-08									
D	109-0162	AS	2009-08-17	dr	ANISH.SALAM	2007-12-04				dwg no sheet 1 of 2		
E	111-0052	RPK	2011-03-17	enrg	ANISH.SALAM	2009-08-17				size A3		
				chr	ANISH.SALAM	2009-08-17				type Product Customer Drawing		
				appd	ANISH.SALAM	2009-08-17						
sheet index	revision sheet	D	D	D	E							
		1	2	2								

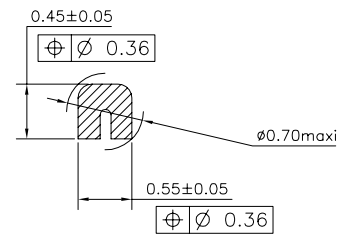


FCIconnect.com

Copyright FCI

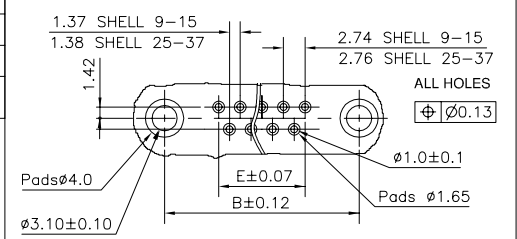


PART NUMBER AND DATE CODE MARKING

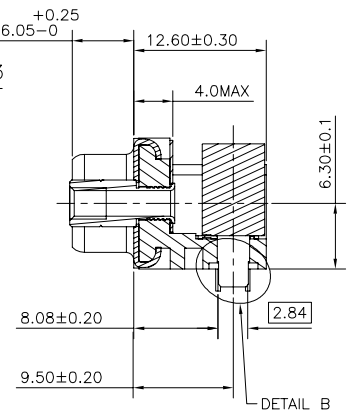
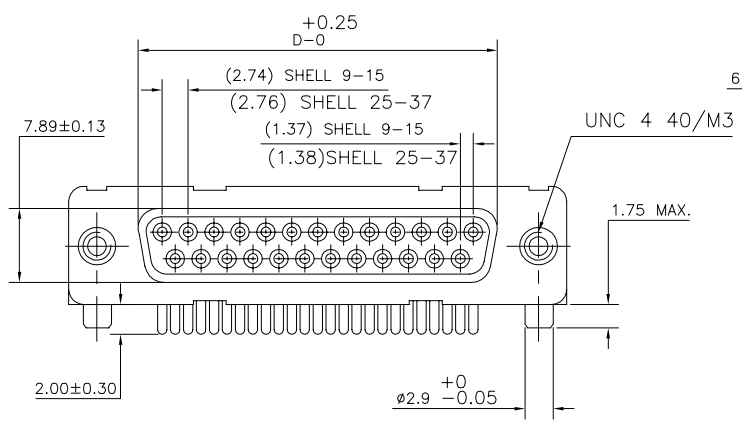


SECTION A-A

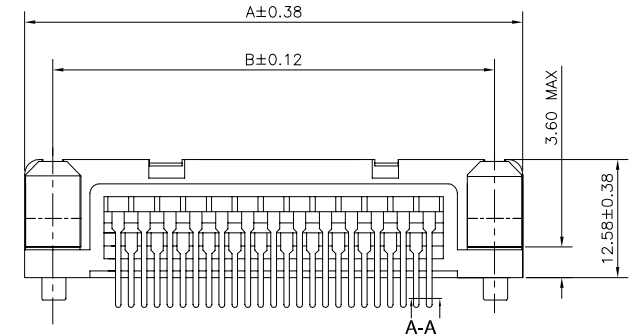
37	69.32	63.50	54.71	49.68
25	53.03	47.04	38.25	33.12
15	39.14	33.32	24.54	19.18
09	30.81	24.99	16.21	10.96
SHELL	A	B	D	E



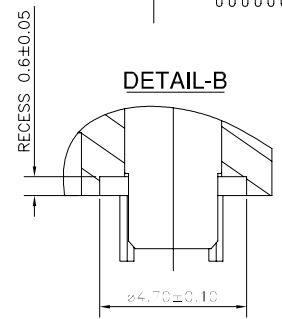
PCB DRILLING & RECOMMENDED PAD DETAILS  
(AFTER PLATING - THICKNESS 1.60MM)



DETAIL B



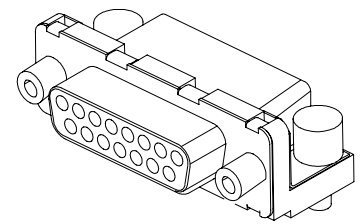
DETAIL-B



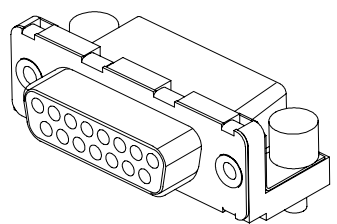
TRUE POSITIONING: Ø 0.36

ACCESSORIES DETAILS

RV VERSION



RX/RL VERSION



mat'l. code		SEE.TECH.SPEC		surface		tolerance		projection		product family	
				ISO 1302		ISO 406 ISO 1101		MM		DELTA-D	
ltr		ecn no		dr		date		angles		title	
A		107-0167		AS		2007-12-04		linear		DELTA-D A/S FEMALE PIP CONNECTOR	
B		108-0175		AS		2009-01-16		0°±1°		US VERSION	
C		109-0130		AS		2009-07-08		0.00±0.00X		scale	
D		109-0162		AS		2009-08-17		dr		dwg no	
E		111-0052		RPK		2011-03-17		enr		sheet 2 of 2	
								chr		size	
								appd		A3	
										C-DD-0100	
										type	
										Product Customer Drawing	
sheet index		revision sheet		D		D		E			
				1		2		2			



PDM: Rev:E

STATUS:Released

Printed: Mar 31, 2011