

D X X S 1 3 A 6 X X 0 9 L F

SERIES

NO.OF CONTACTS

09,15,25,37

TYPE OF CONTACTS

S-SOCKET

TYPE OF TERMINATION

13-ANGLED SPILL

PITCH 2.54

FOOT PRINT 10.40 EUROPE

HEIGHT OF TERMINATION

A-2.00mm COMPATIBLE FOR 1.6mm PCB

ROHS INFORMATIONS

"This LF product meets European Union Directives and other country regulations as described in GS-22-008"

The housing will withstand exposure to 260°C peak temperature for 30 seconds in a convection,infra-red or vapor reflow oven solder application.

Packaging as per GS-14-920

PRODUCT SPECIFICATION

See :- GS-12-433

PACKAGING SPECIFICATION

See :- GS-14-1139

SEE NOTE ROHS

PACKAGING SPECIFICATION

09- TRAY PACKING

MOUNTING OPTIONS

RV->LIF METAL PEG+F.SCREW LOCK UNC 4 40+METAL BRACKET

RL->LIF METAL PEG+ INSERT M3+METAL BRACKET

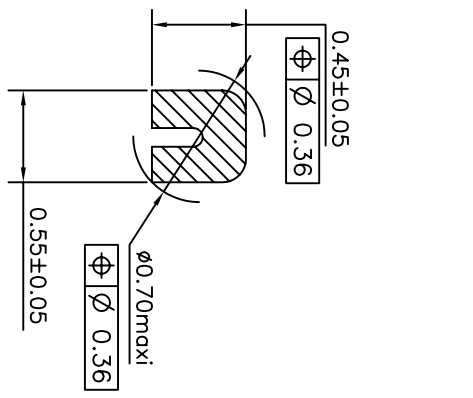
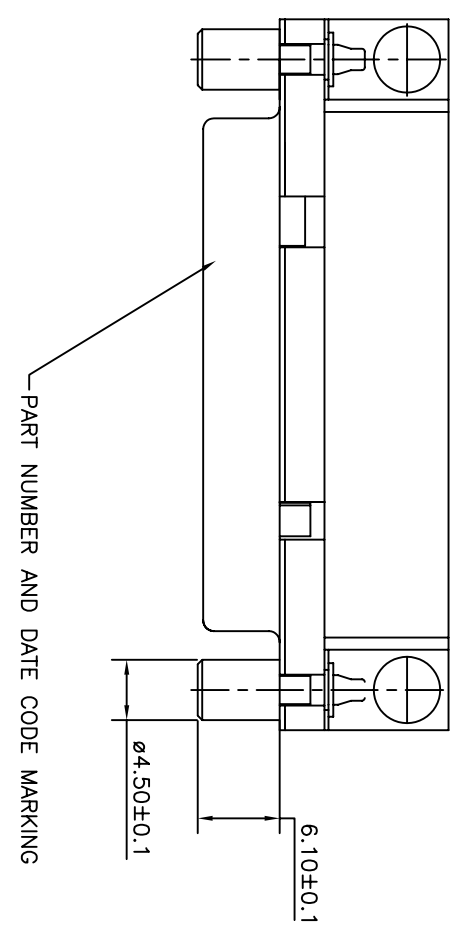
RX->LIF METAL PEG+ INSERT UNC 4-40 +METAL BRACKET

PLATING

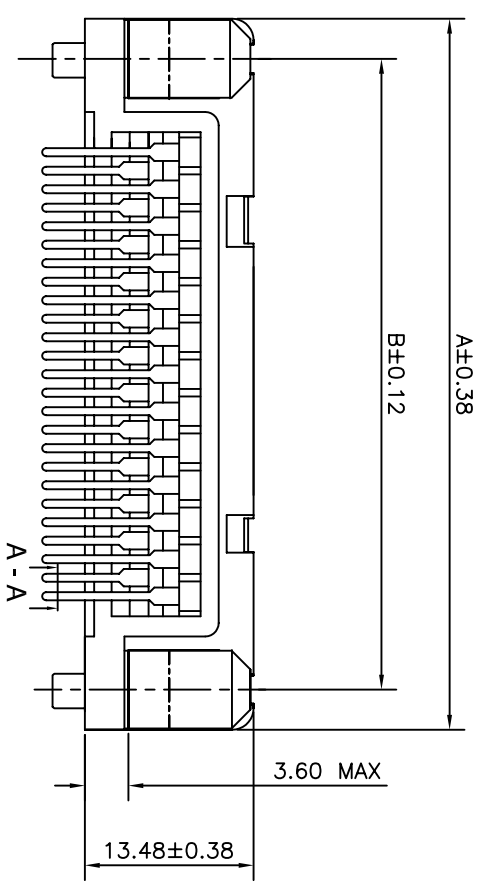
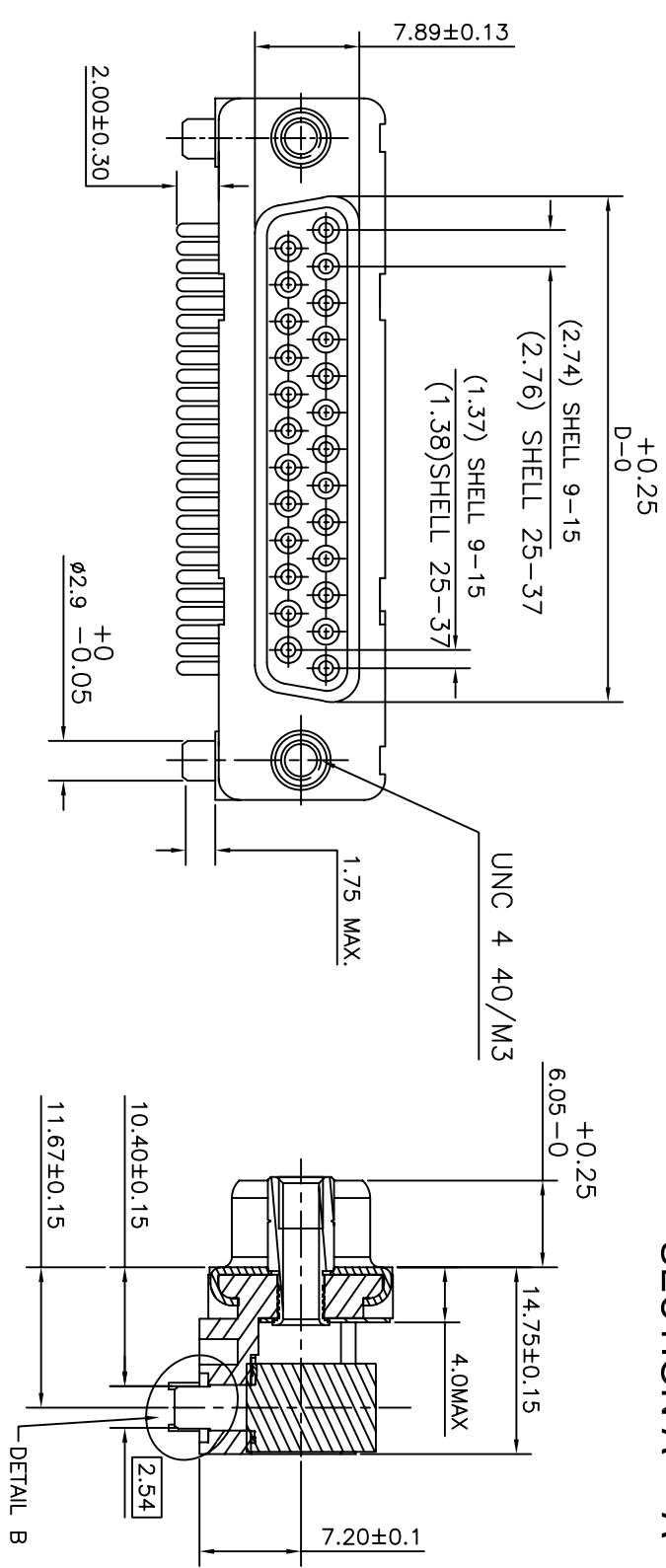
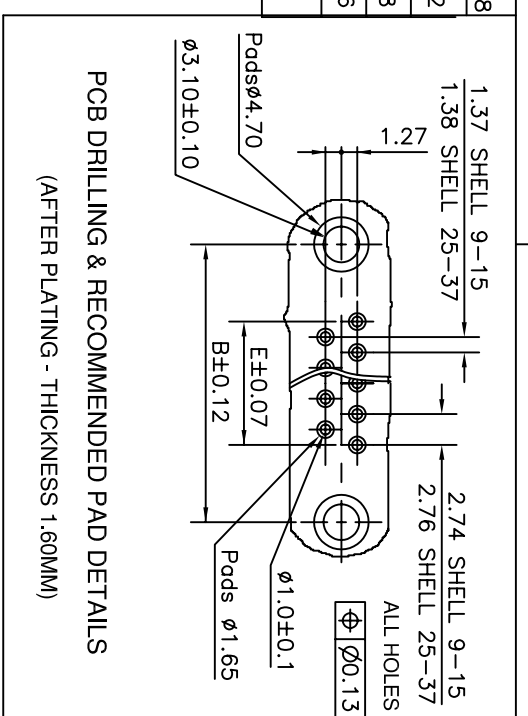
6-500 Mating/Un-mating performance

mat'l. code	SEE.TECH.SPEC	surface ISO 1302	tolerance ISO 406 ISO 1101	projection	product family
ltr	ecn no	dr	date	tolerances unless otherwise specified	DELTA-D
A	107-0167	AS	2007-12-04	angles	DELTA-D A/S FEMALE PIP CONNECTOR
B	108-0175	AS	2008-12-23	linear	EUROPE VERSION
C	109-0162	AS	2009-08-23	0°±1°	
				.00±0.1	
				.000±.00X	
				dr	ANISH.SALAM
				engr	ANISH.SALAM
				chr	ANISH.SALAM
				opppd	ANISH.SALAM
sheet index	revision	sheet	2	1	2009-08-23





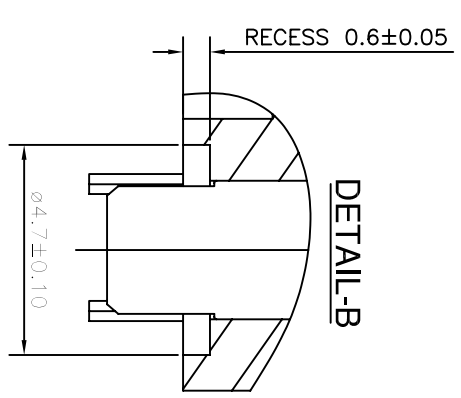
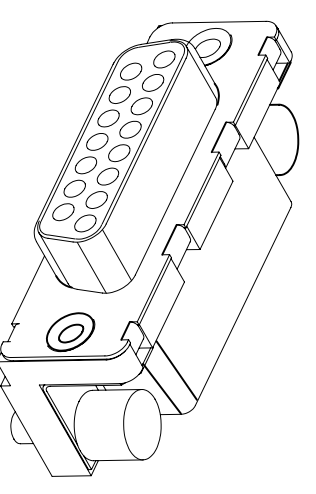
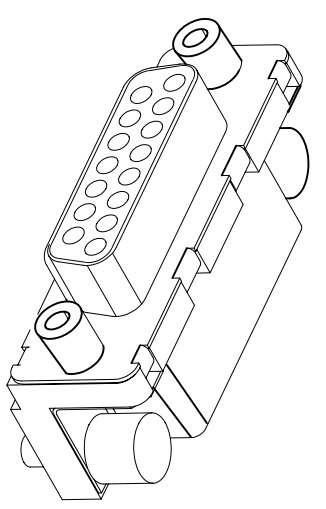
SHELL	A	B	D	E
37	69.32	63.50	54.71	49.68
25	53.03	47.04	38.25	33.12
15	39.14	33.32	24.54	19.18
09	30.81	24.99	16.21	10.96



ACCESSORIES DETAILS

RV VERSION

RX/RL VERSION



TRUE POSITIONING: Φ 0.36

mat'l. code		SEE TECH.SPEC		surface		tolerance		projection		product family	
ISO 1302		ISO 406 ISO 1101		ISO 1302		ISO 406 ISO 1101		MM		DELTA-D	
ISO 1302		ISO 406 ISO 1101		tolerances unless otherwise specified		tolerances unless otherwise specified		MM		DELTA-D A/S FEMALE PIP CONNECTOR	
ISO 1302		ISO 406 ISO 1101		tolerances unless otherwise specified		tolerances unless otherwise specified		MM		EUROPE VERSION	
ltr	ecn no	dr	date	angles	linear	dr	engr	chr	pppd	dwg no	sheet 2 of 2
A	I07-0167	AS	2007-12-06	0° ±1°	.00±0.1	2007-12-06	ANISH.SALAM			C-DD-0106	A3
B	I08-0175	AS	2008-12-23		.00±0.1	2009-08-23	ANISH.SALAM				
C	I09-0162	AS	2009-08-23		.00±0.1	2009-08-23	ANISH.SALAM				
sheet index	revision	sheet	sheet	sheet	sheet	sheet	sheet	sheet	sheet	sheet	sheet
		2	1								