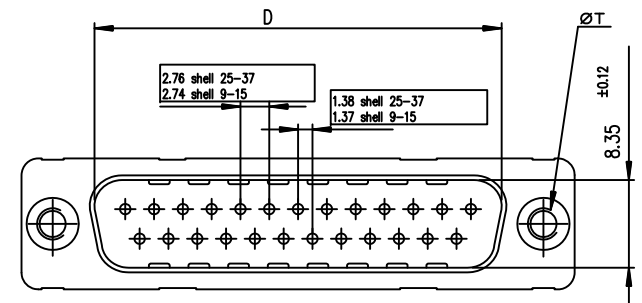
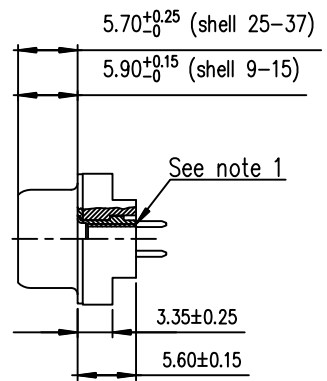
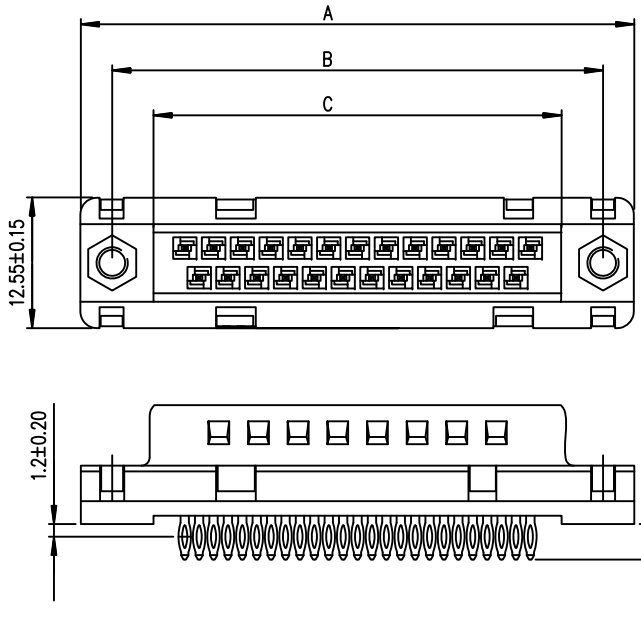


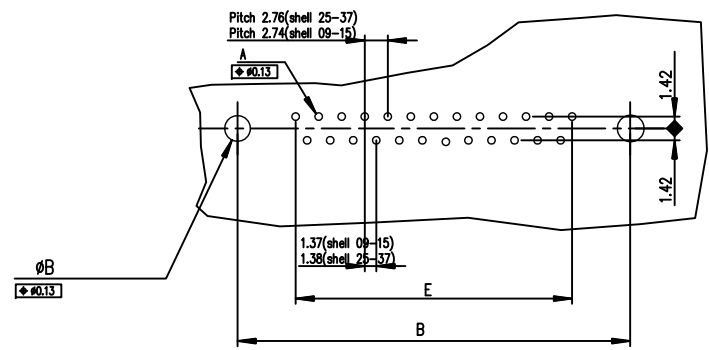


FCIconnect.com

Copyright FCI



PC board drilling dimensions(after plating)
(thickness ≤ 3.20±0.30mm)



LEAD FREE PART NUMBERS

| SHELL | A±0.38 | B±0.12 | C±0.10 | D±0.25 | E±0.07 | PART NUMBER | PART NUMBER | PART NUMBER |
|-------|--------|--------|--------|--------|--------|----------------|----------------|----------------|
| 09 | 30.81 | 24.99 | 16.96 | 16.79 | 10.96 | D09P90C4P*OOLF | D09P90C6P*OOLF | D09P90C8P*OOLF |
| 15 | 39.14 | 33.32 | 25.18 | 25.12 | 19.18 | D15P90C4P*OOLF | D15P90C6P*OOLF | D15P90C8P*OOLF |
| 25 | 53.03 | 47.04 | 39.12 | 38.84 | 33.12 | D25P90C4P*OOLF | D25P90C6P*OOLF | D25P90C8P*OOLF |
| 37 | 69.32 | 63.50 | 55.68 | 55.30 | 49.68 | D37P90C4P*OOLF | D37P90C6P*OOLF | D37P90C8P*OOLF |
| | | | | | | Gold Flash | 0.76µ Gold | 1.25µ Gold |

Threaded ØT M3 = L
Threaded ØT 4.40 = X

GENERAL CHARACTERISTICS AND ROHS INFORMATIONS:
SEE DRAWING C01-8646-0001

Notes:

- The nut can protrude above the surface of insulator but maintaining the footprint dimension 5.60±0.15 mm.

| | | | | | | | | | |
|-------------|--|------------------|--|----------------------------|--|------------|--|---|--|
| mat'l. code | | surface ISO 1302 | | tolerance ISO 406 ISO 1101 | | projection | | product family D-SUB | |
| ltr | | ecn no | | dr | | date | | title | |
| F | | ELX-I-21256 | | AB | | 2015/07/14 | | MALE CONNECTOR DELTA-D STRAIGHT - PRESS FIT | |
| | | angles | | linear | | .0±0.1 | | MM | |
| | | 0°±2' | | | | .00±0.1 | | scale 2:1 | |
| | | dr | | JOUBERT | | 1996/07/03 | | dwg no sheet 1 of 1 size | |
| | | engr | | ALIAS BABU | | 2015/07/14 | | C01-8646-0461 A3 | |
| | | chr | | MITHUN PAUL | | 2015/07/14 | | type Product Customer Drawing | |
| | | app | | BIJU K PAUL | | 2015/07/14 | | | |
| sheet index | | revision sheet | | F | | 1 | | | |