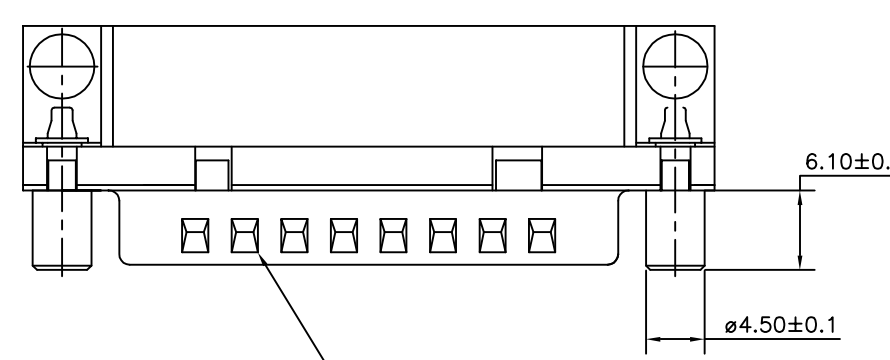
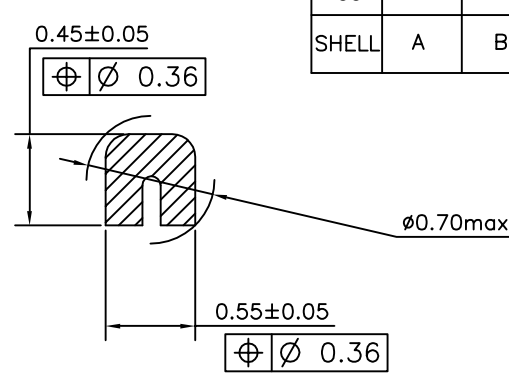
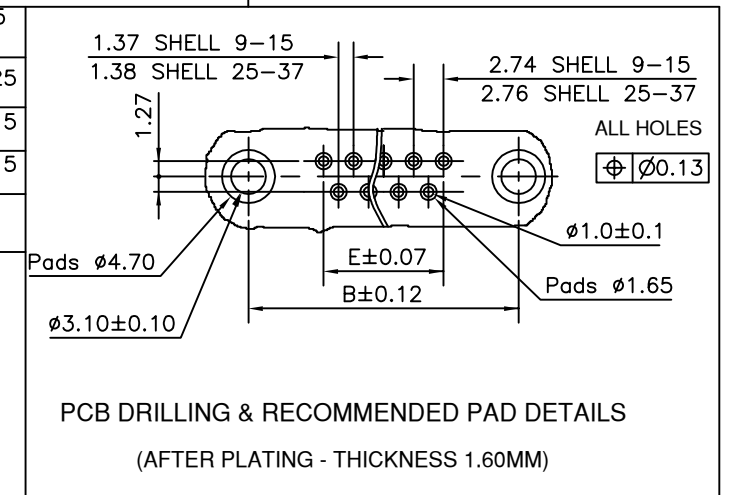


Copyright FCI

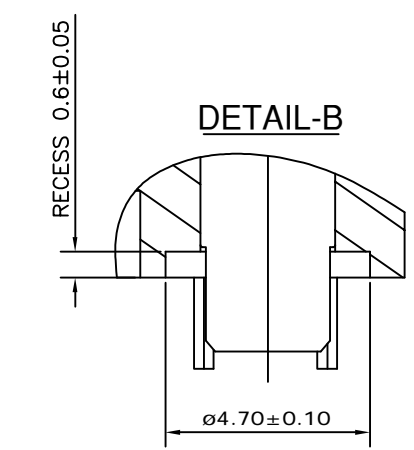
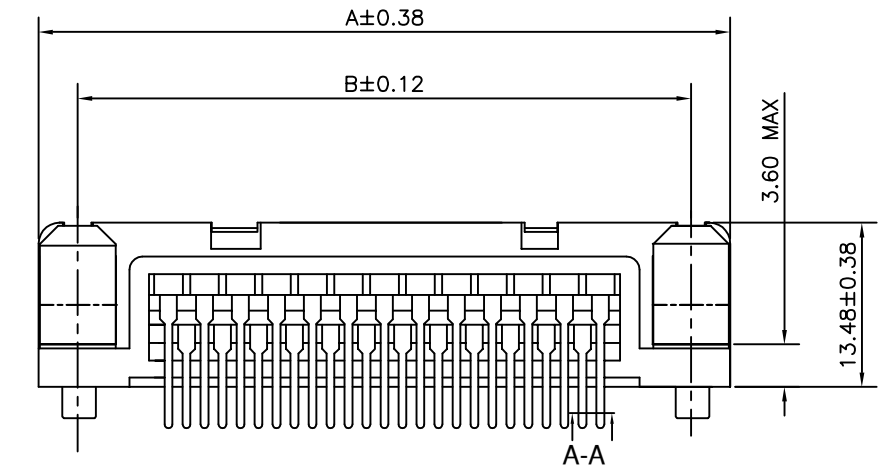
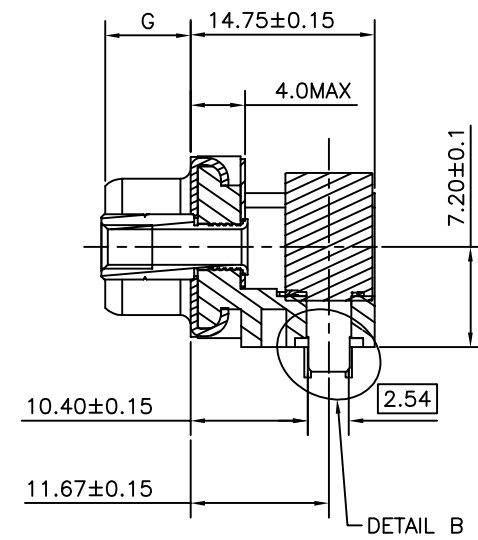
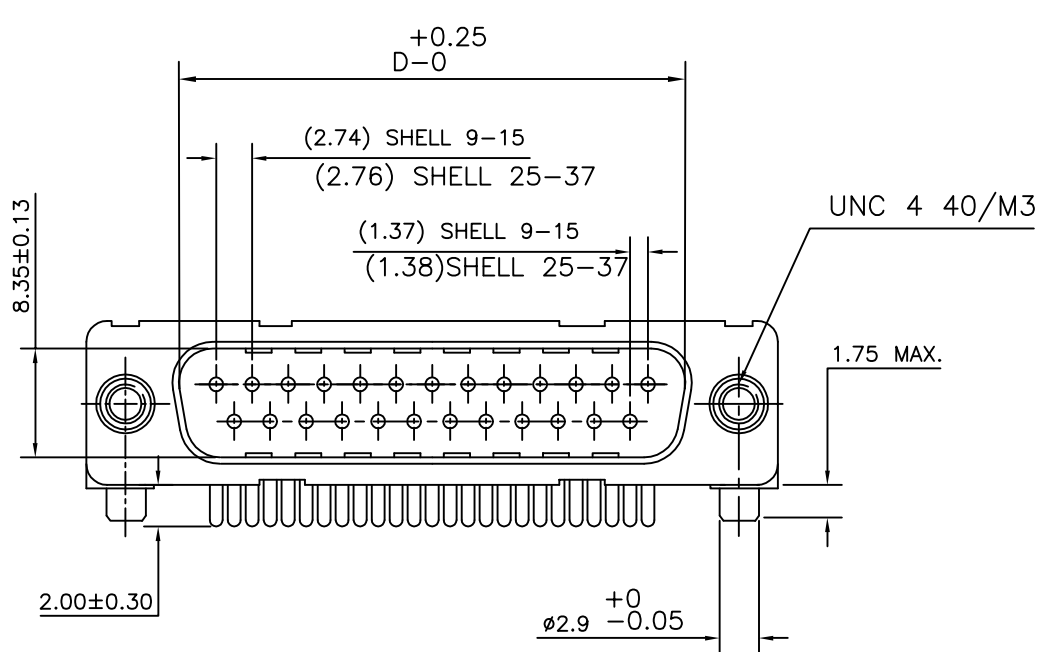
mat'l. code SEE.TECH.SPEC				surface ISO 1302 <input checked="" type="checkbox"/>		tolerance ISO 406 ISO 1101		projection 		product family DELTA-D			
ltr				ecn no		dr		date		tolerances unless otherwise specified		title	
A				107-0167		AS		2007-12-04		angles		DELTA-D A/S MALE PIP CONNECTOR EUROPE VERSION	
B				107-0175		AS		2008-12-23		linear		MM	
C				109-0162		AS		2009-08-19		0°±1°		scale -	
										dr		ANISH.SALAM 2007-12-04	
										engr		ANISH.SALAM 2009-08-19	
										chr		ANISH.SALAM 2009-08-19	
										appd		BIJU.K.PAUL 2009-08-19	
sheet index		revision sheet		C C		1 2						FCI	
										dwg no		sheet 1 of 2 size 5	
										C-DD-0104		A3	
										type		Product Customer Drawing	



37	69.32	63.50	55.30	49.68	5.70	+0.25 -0
25	53.03	47.04	38.84	33.12	5.70	+0.25 -0
15	39.14	33.32	25.12	19.18	5.90	+0.15 -0
09	30.81	24.99	16.79	10.96	5.90	+0.15 -0
SHELL	A	B	D	E	G	



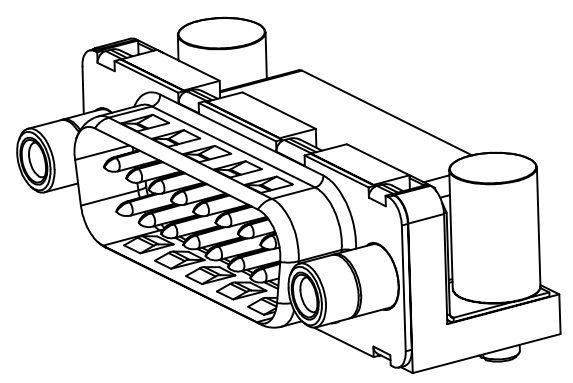
SECTION A - A



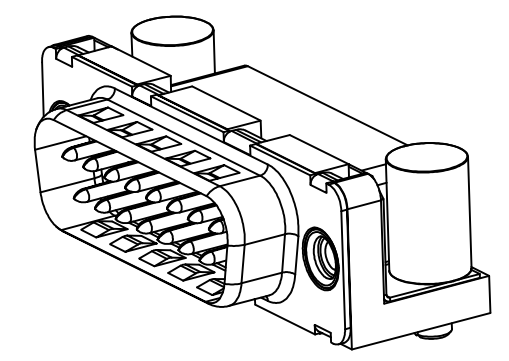
ACCESSORIES DETAILS

TRUE POSITIONING :  $\phi$  0.36

RV VERSION



RX/RL VERSION



mat'l. code SEE.TECH.SPEC				surface ISO 1302 ✓		tolerance ISO 406 ISO 1101		projection $\phi$ -		product family DELTA-D	
ltr				ecn no		dr		date		title	
A				107-0167		AS		2007-12-04		DELTA-D A/S MALE PIP CONNECTOR EUROPE VERSION	
B				107-0175		AS		2008-12-23		MM	
C				109-0162		AS		2009-08-19		scale -	
				dr		ANISH.SALAM		2007-12-04		dwg no	
				enr		ANISH.SALAM		2009-08-19		sheet 2 of 2	
				chr		ANISH.SALAM		2009-08-19		size	
				appd		BIJU.K.PAUL		2009-08-19		A3	
sheet index				revision sheet		C		C		type	
						1		2		Product Customer Drawing	