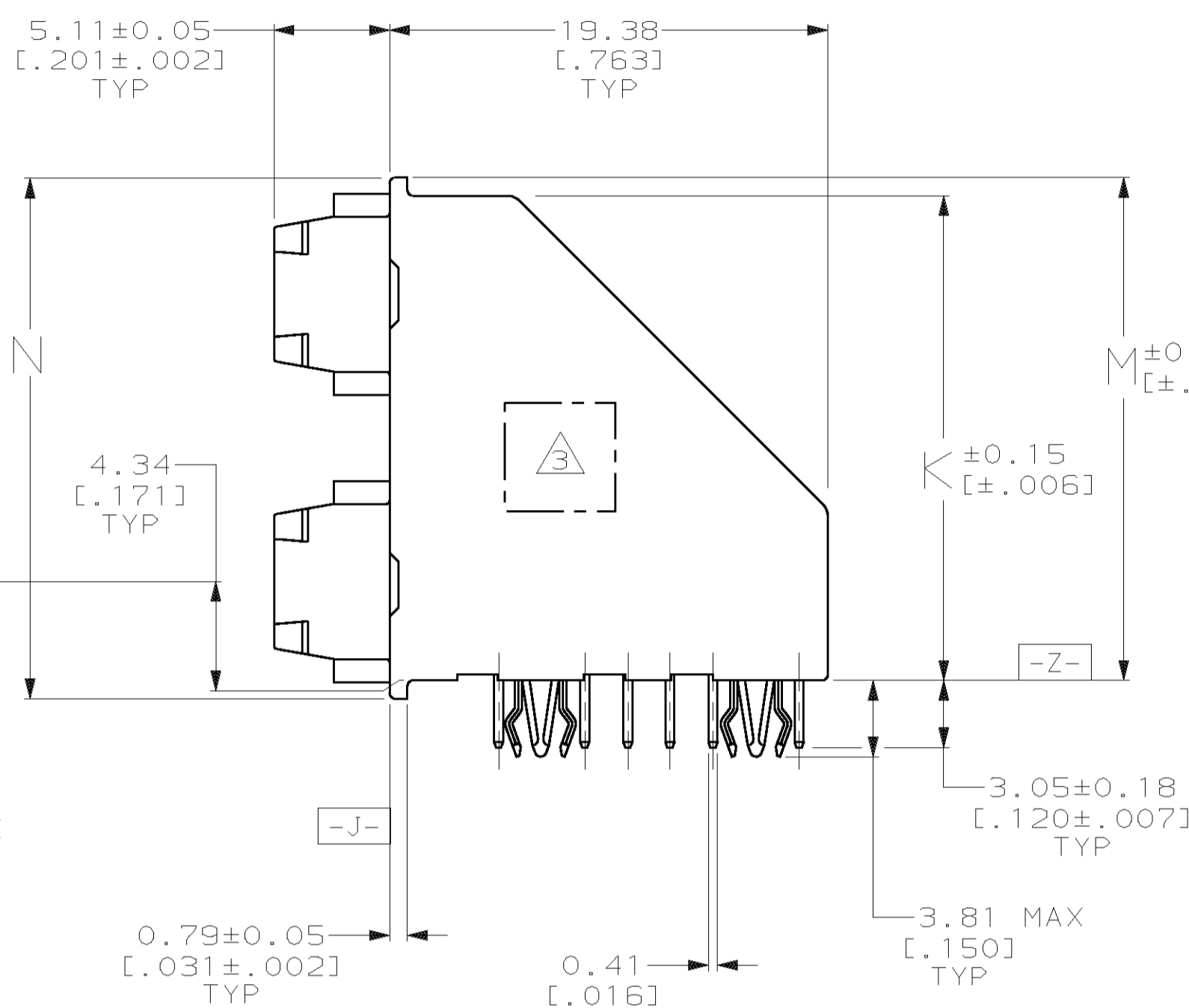
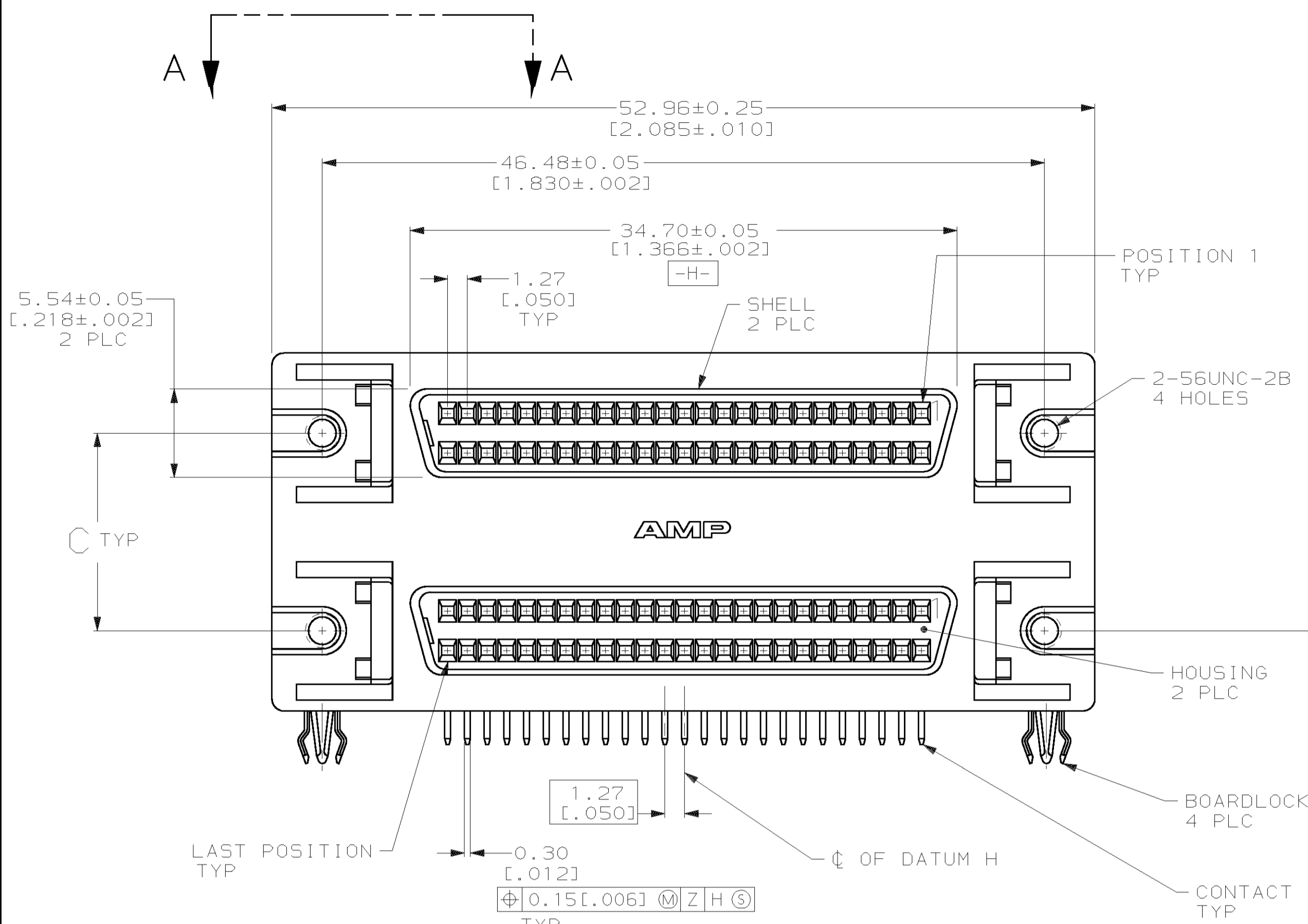
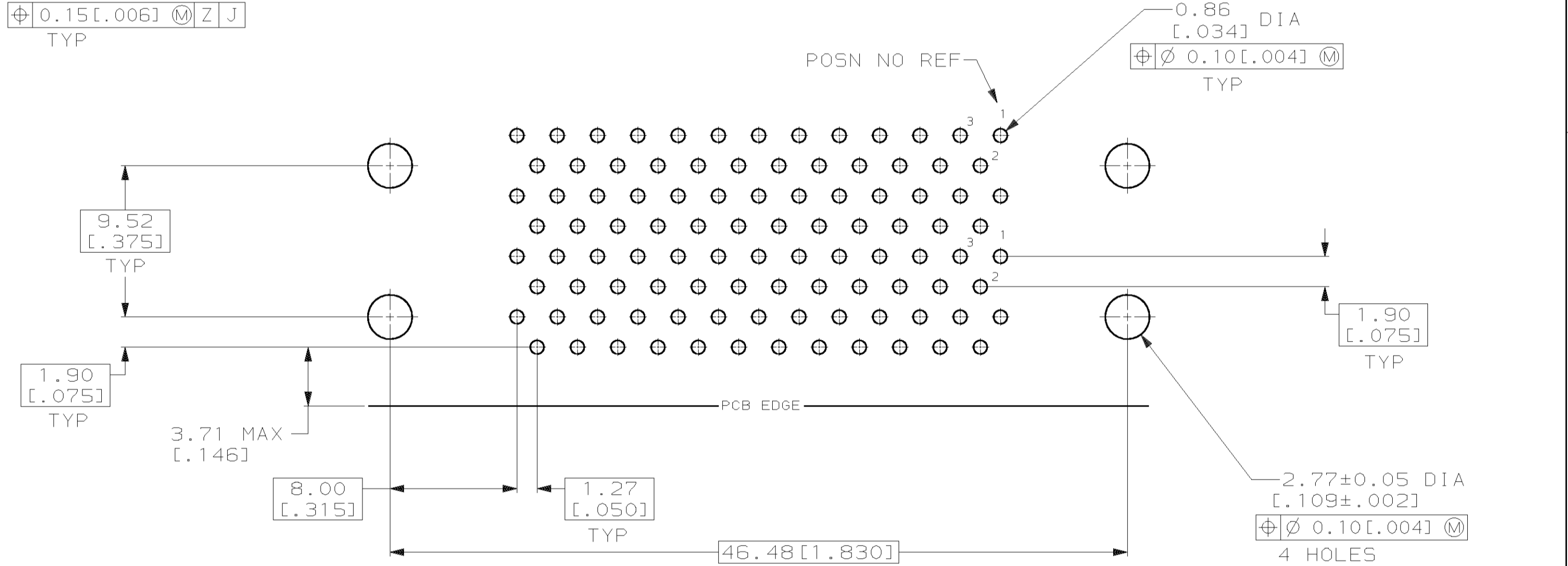
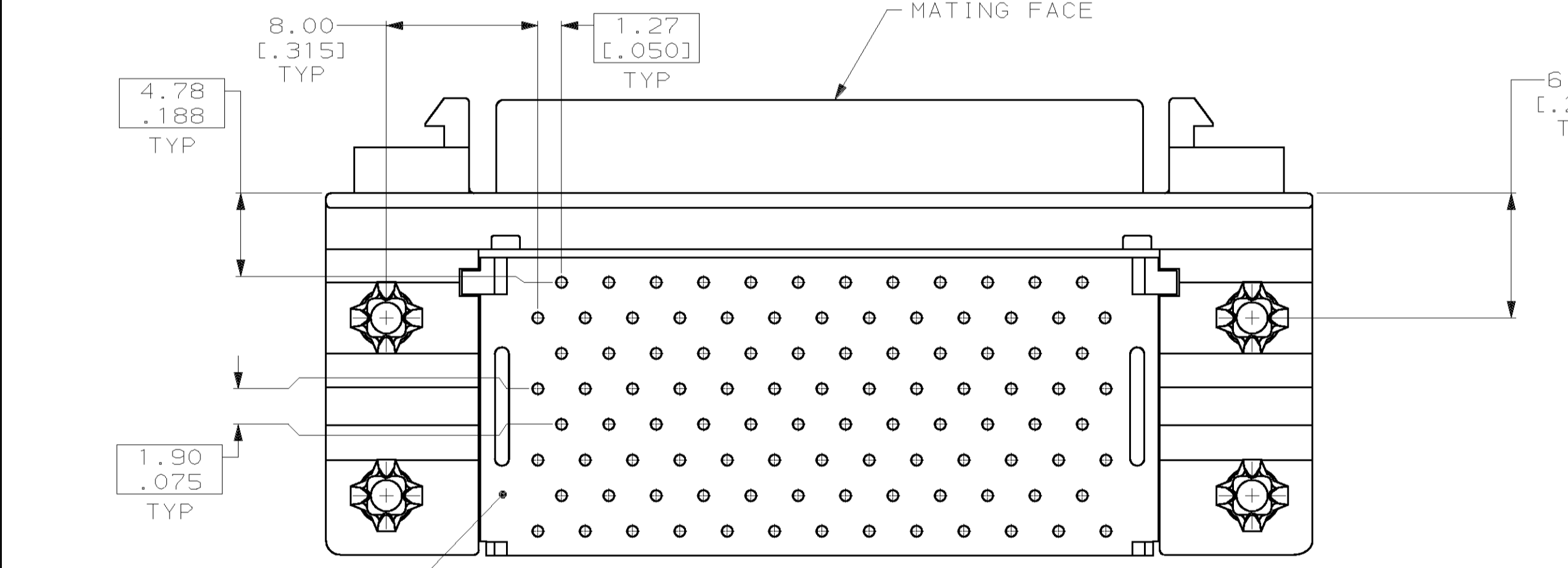


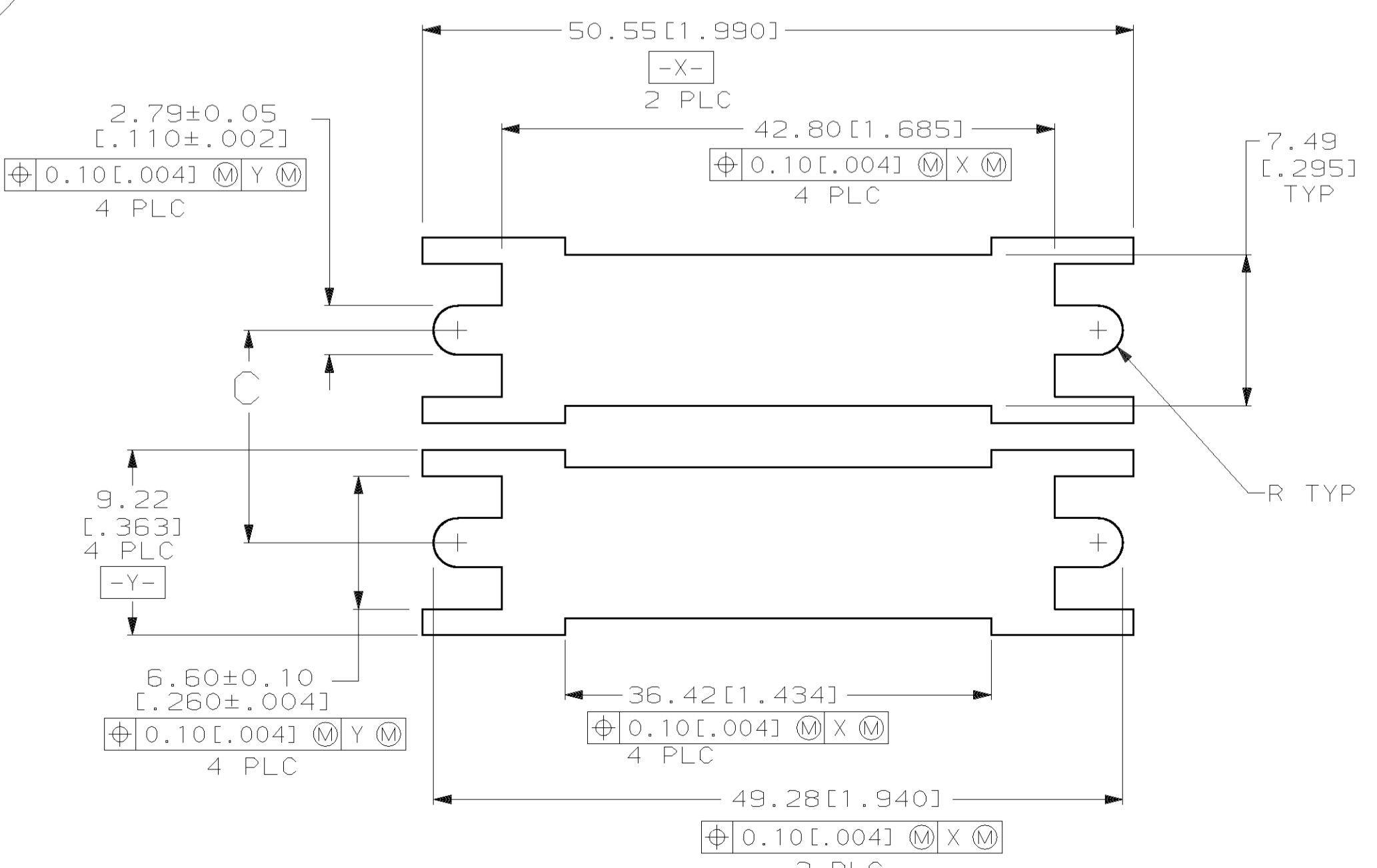
LOC	DIST	REV	DATE	BY	CHK	APPV
GP	00					
0		RELEASED PER NPR 5451 WAS 95-4610-42-3	14 DEC 95			
A		REV PER EC 0020-125-96	12 FEB 96	WL		RW
B		REV PER EC 0020-112-96	13 FEB 96	WL		RW
C		REV PER EC 0020-404-96	24 APR 96	DH		RW
D		REV PER EC 0020-528-96	30 MAY 96	BC		RW
E		REV PER EC 0410-155-96	22 NOV 96	CD		RW
F		REV PER EC 051C-0151-00	16 NOV 00	NF		CF



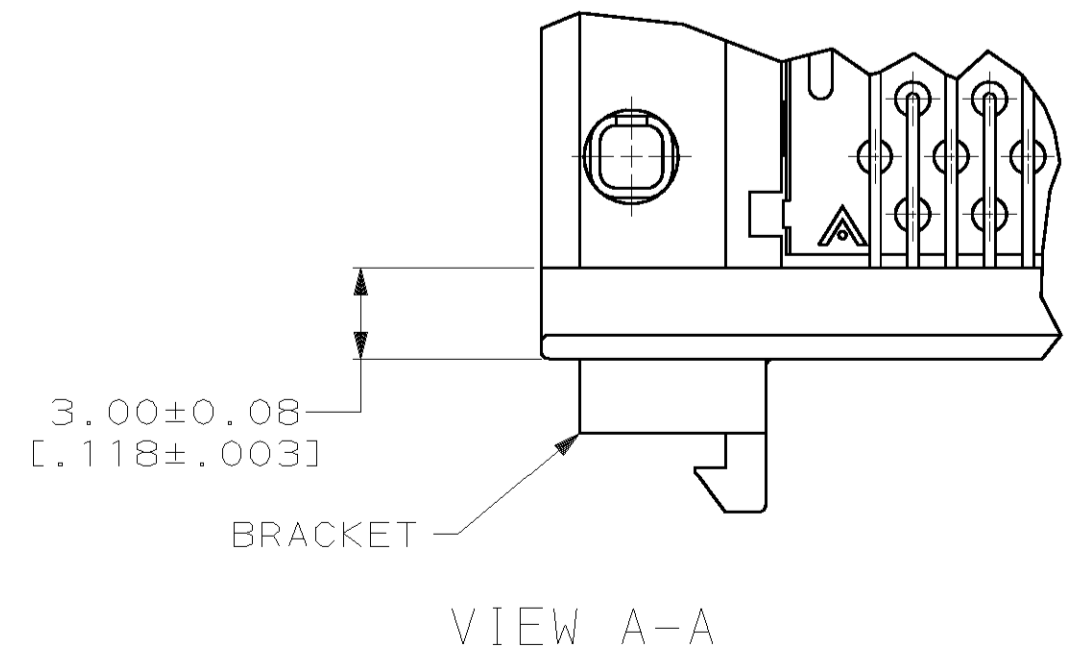
- CONTACTS: PHOSPHOR BRONZE; HOUSING AND PIN SPACER: UL 94V-0 RATED, POLYESTER, BLACK; BRACKET: ZINC; SHELL: CARBON STEEL; BOARDLOCKS: COPPER ALLOY.
- CONTACTS: 0.76µm [0.000030] MIN GOLD FOR A LENGTH OF 0.64 [0.025] MIN FROM MATING END, 3.81µm [0.000150] MIN TIN-LEAD ON OPPOSITE END FOR A LENGTH OF 3.23 [0.127] MIN, BOTH OVER 1.27µm [0.000050] MIN NICKEL. SHELLS: 5.08µm [0.000200] MIN TIN OVER 1.27µm [0.000050] MIN COPPER. BRACKET: 3.81µm [0.000150] MIN NICKEL OVER 5.08µm [0.000200] MIN COPPER. BOARDLOCKS: 5.08µm [0.000200] MIN TIN-LEAD OVER 1.27µm [0.000050] MIN NICKEL.
- 0.5" x 0.5" ADHESIVE DATE CODE LABEL. AFFIXED IN APPROX. AREA SHOWN OR ON OPPOSITE END OF PART.



P.C. BOARD MOUNTING DIMENSIONS
CONNECTOR SIDE
P.C. BOARD THICKNESS 1.57±0.20 [0.062±.008]



RECOMMENDED PANEL CUTOUT



23.01 [.906]	22.20 [.874]	21.39 [.842]	12.70 [.500]	50	787656-1
N	M	K	C	NO OF POSN	PART NUMBER

<small>THIS DRAWING IS A CONTROLLED DOCUMENT AND IS UNPUBLISHED. IT IS SUBJECT TO CHANGE AND THE CONTROLLING ENGINEERING ORGANIZATION SHALL BE CONTACTED FOR THE LATEST REVISION.</small>		DWG: C. DORWART 14 DEC 95 CHK: R. STONE 18 DEC 95 APPV: S. WALTER 19 DEC 95	AMP Incorporated Harrisburg, PA 17105-3608
DIMENSIONS: mm (INCHES) TOLERANCES UNLESS OTHERWISE SPECIFIED: 0 PLC ± 1 PLC ± 2 PLC ±0.13 (.005) 3 PLC ± 4 PLC ± ANGLES ±	MATERIAL: FINISH:	NAME: RECEPTACLE ASSEMBLY, STACKED, RIGHT ANGLE, .050 SERIES, AMPLIMITE™ PRODUCT SPEC: 108-1228 APPLICATION SPEC: 114-40029 WEIGHT: - CUSTOMER DRAWING	SIZE: A1 CAGE CODE: 00779 DRAWING NO: 787656 SCALE: 4:1 SHEET: 1 OF 1 REV: F