

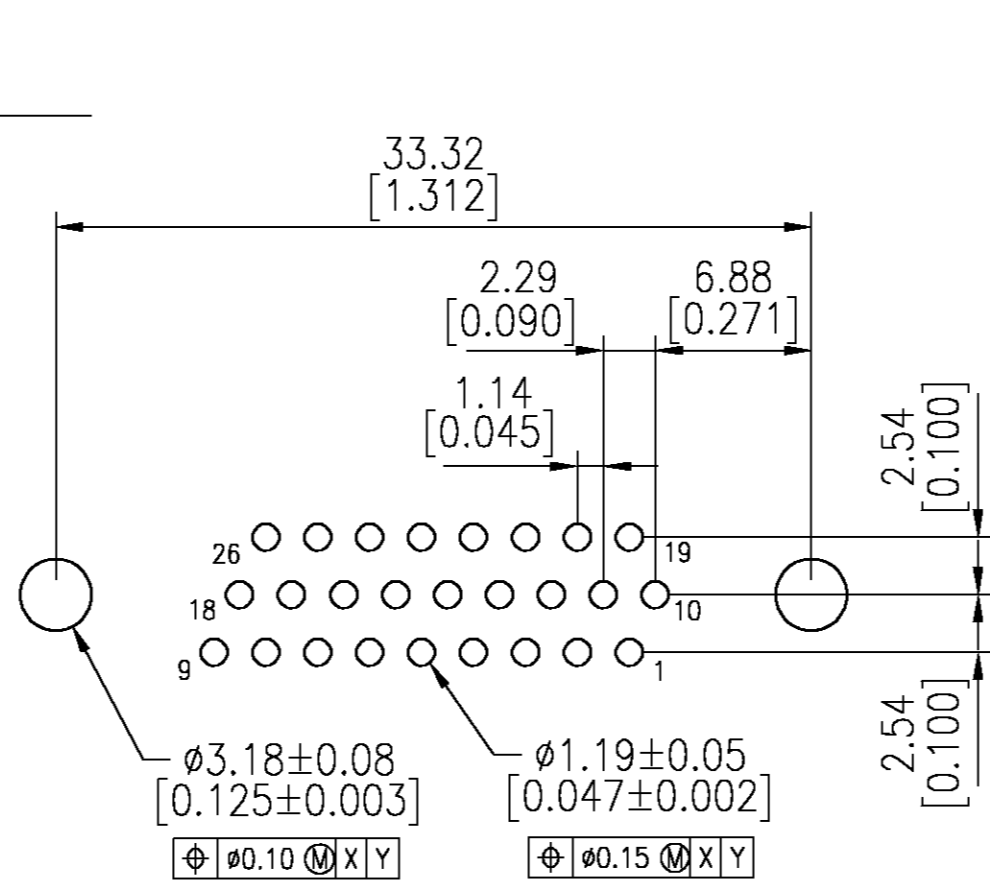
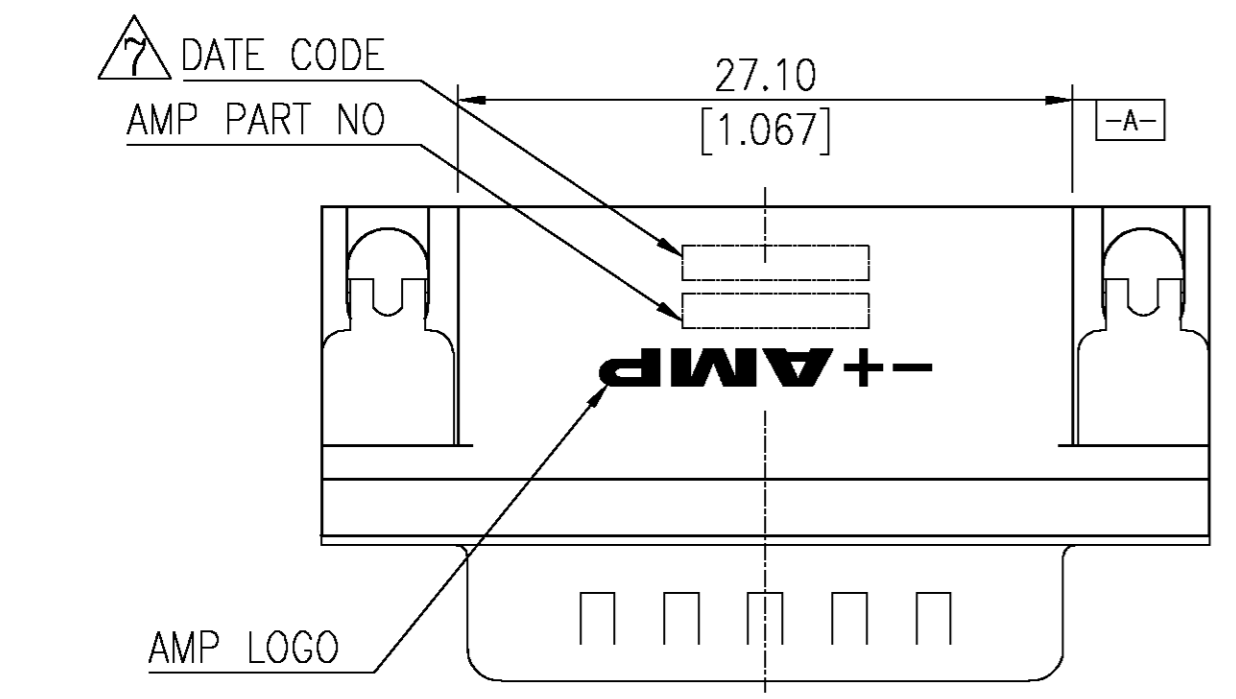
THIS DRAWING IS UNPUBLISHED. RELEASED FOR PUBLICATION
 © COPYRIGHT BY TYCO ELECTRONICS CORPORATION. ALL RIGHTS RESERVED.

LOC		DIST		REVISIONS			
P	LTR	DESCRIPTION		DATE	DWN	APVD	
GP	00	L	REVISED PER EC OS13-0175-03	05JUN03	JG	CC	

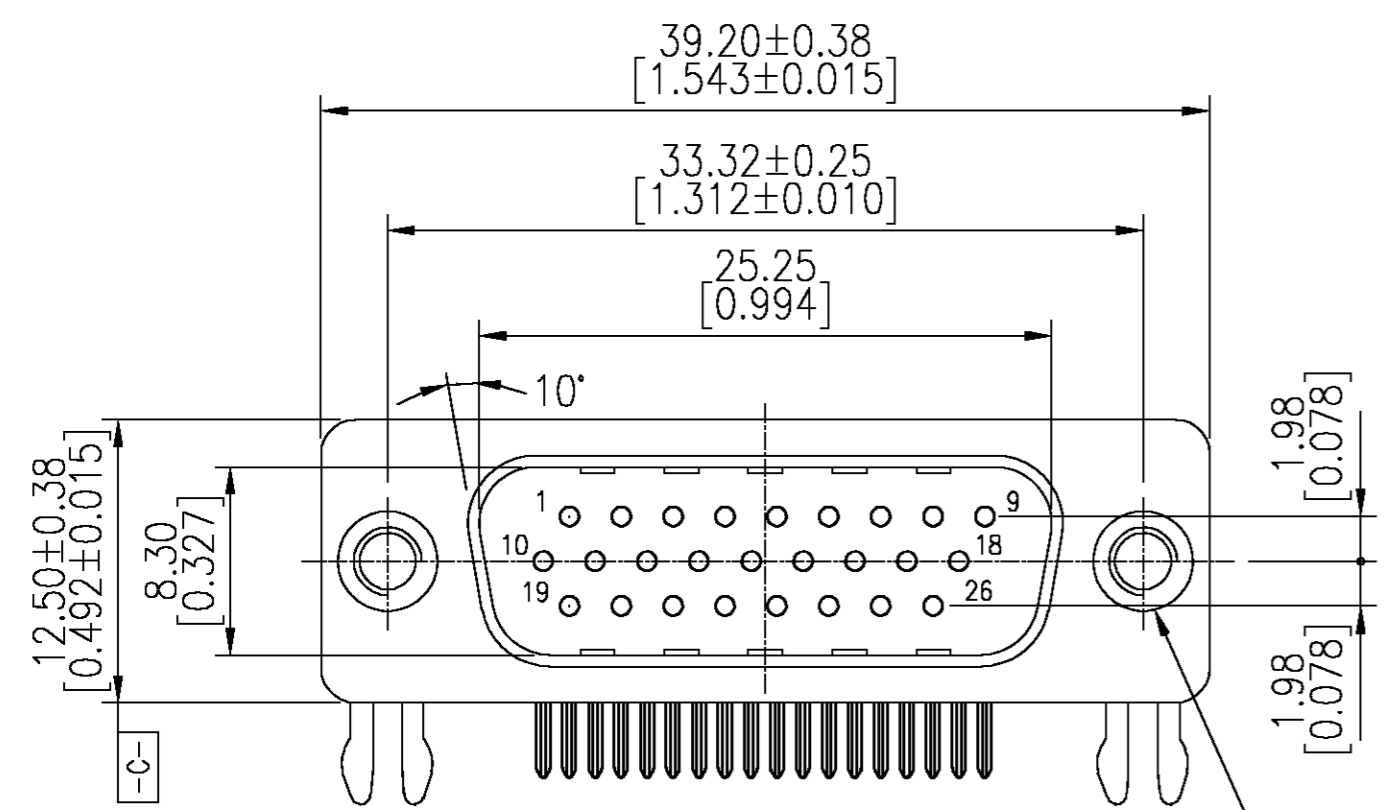
MATERIAL:

- Housing: PBT, 30% G.F polyester, Black. (UL 94V-0 Rated)
- Contact: Brass.
- Contact Plated: Gold Plated over 50u" Nickel underplated.
- Solder Tail: Tin/Lead Plated 120u" over 50u" Nickel underplated.
- Shell: Steel, Nickel Plated.
- Boardlock: Brass, Tin Plated 100u"
- Four digit date code in this format.

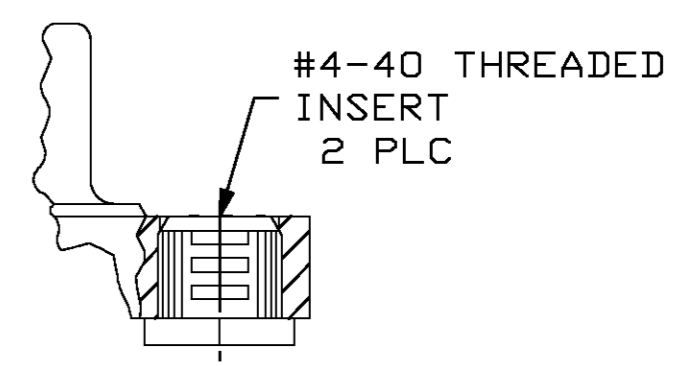
01	45
Year	Manufacturing Week
- Solder Tail: Tin Plated 120u" over 50u" Nickel underplated.



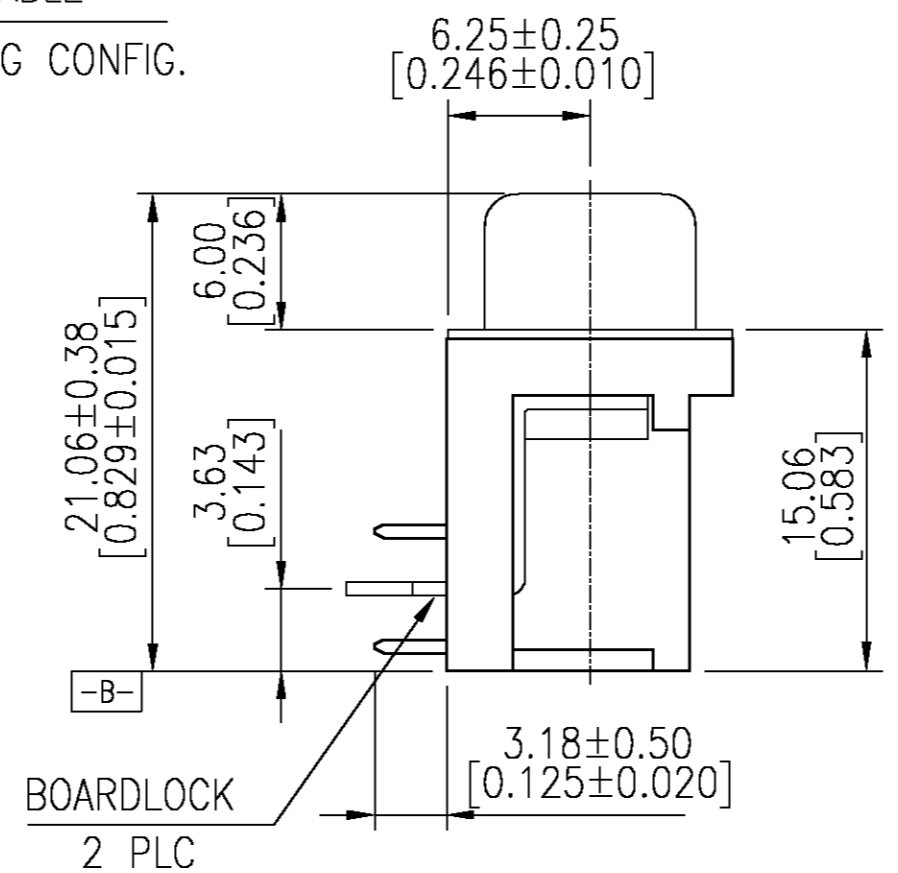
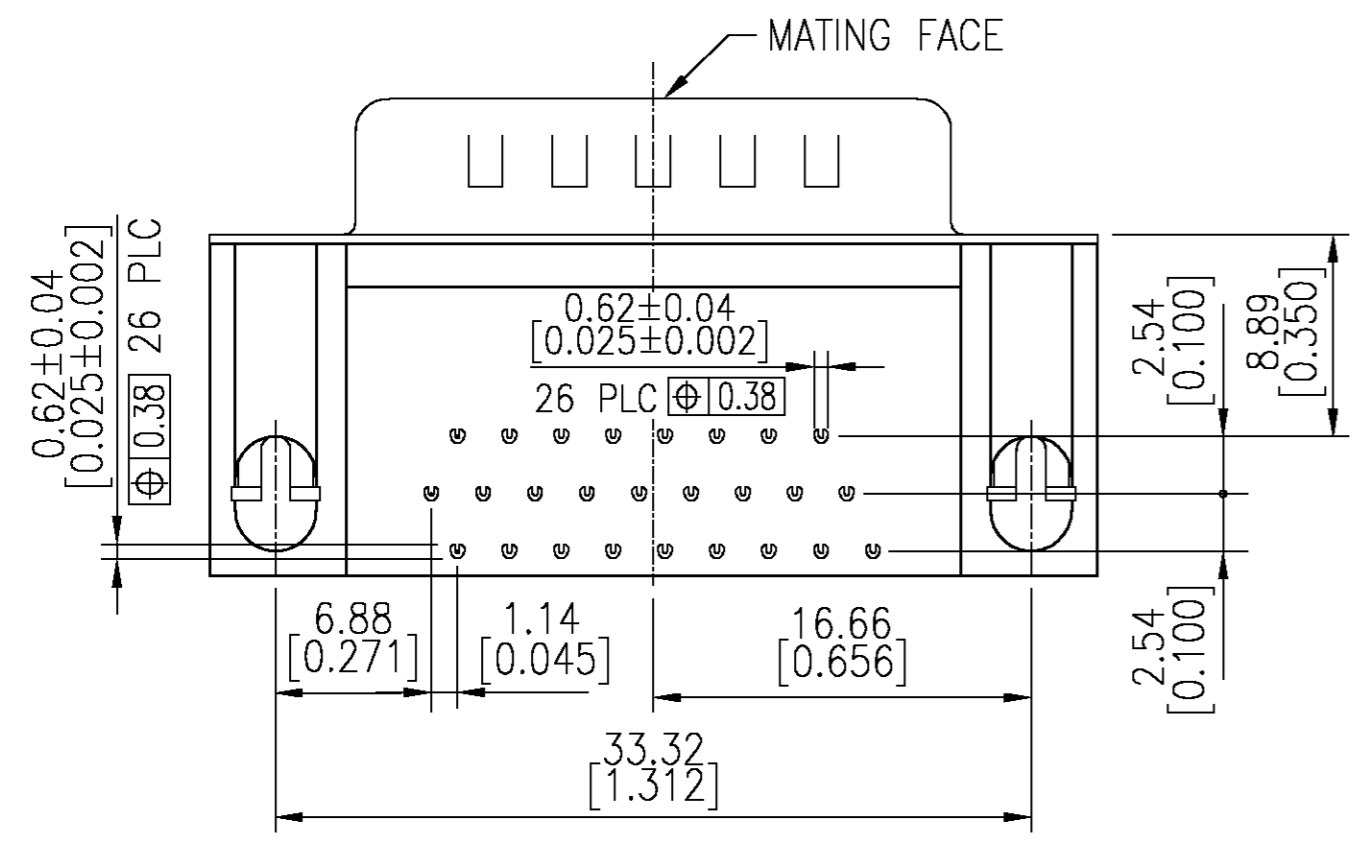
RECOMMENDED PCB LAYOUT



SEE TABLE FOR MOUNTING CONFIG.



Detail A



Tray	Detail A	8	30 μ"	6-749769-7
Tray	Detail A	4	Gold flash	749769-3
Tray	Detail A	4	15 μ"	749769-2
Tray	Detail A	4	30 μ"	749769-1
Packaging	Mounting Flange Config		Contact Finish	AMP Part NO

DIMENSIONS:		TOLERANCES UNLESS OTHERWISE SPECIFIED:		DWN		CHK		APVD		NAME	
MM		0 PLC	± -	J.BURWELL	03MAY02	C.CASH		03MAY02	Tyco Electronics Corporation		
		1 PLC	± 0.30	PRODUCT SPEC		-		-		AMPLIMITE HD-22	
		2 PLC	± 0.20	APPLICATION SPEC		-		-		26 POS PLUG, RIGHT ANGLE	
		3 PLC	± 0.10	-		-		-		SIZE	CAGE CODE
		4 PLC	± -	-		-		-		A2	00779
		ANGLES	± 2°	-		-		-		DRAWING NO	RESTRICTED TO
		FINISH	-	-		-		-		C=749769	-
MATERIAL				CUSTOMER DRAWING				SCALE		SHEET	
								4:1		1 OF 1	