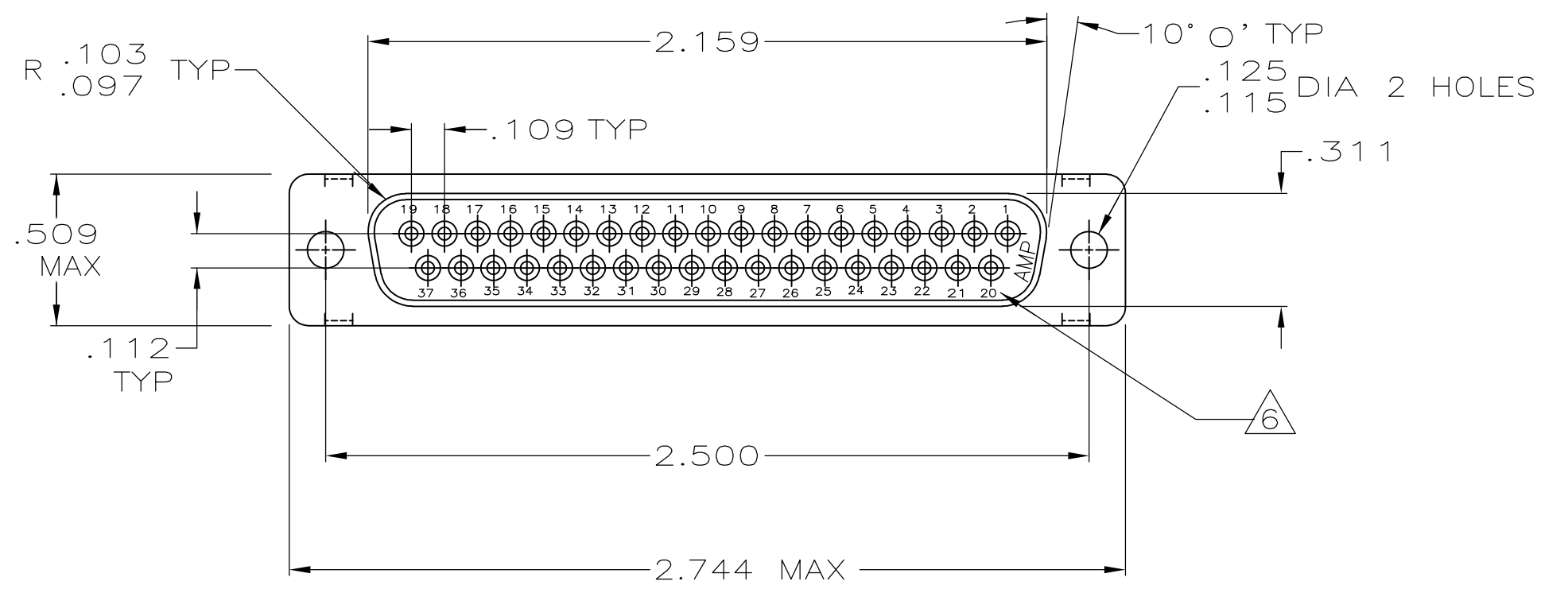
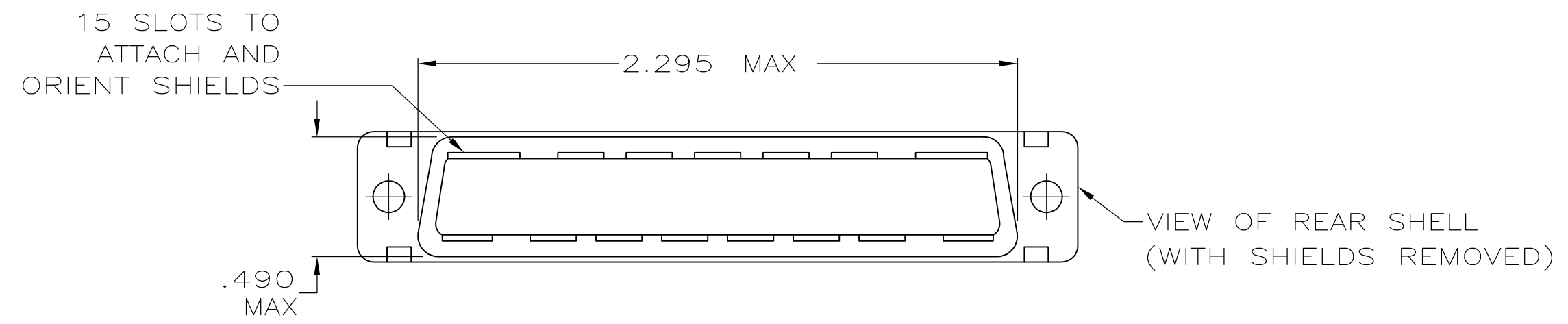
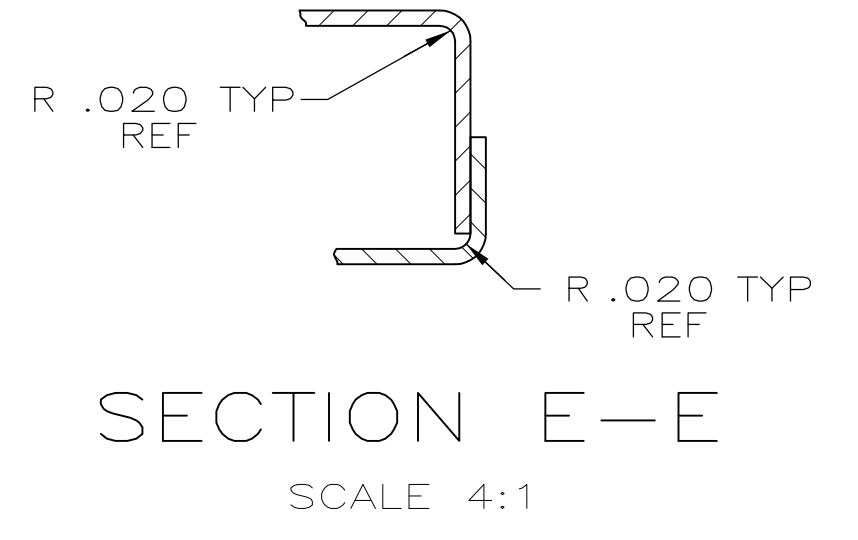
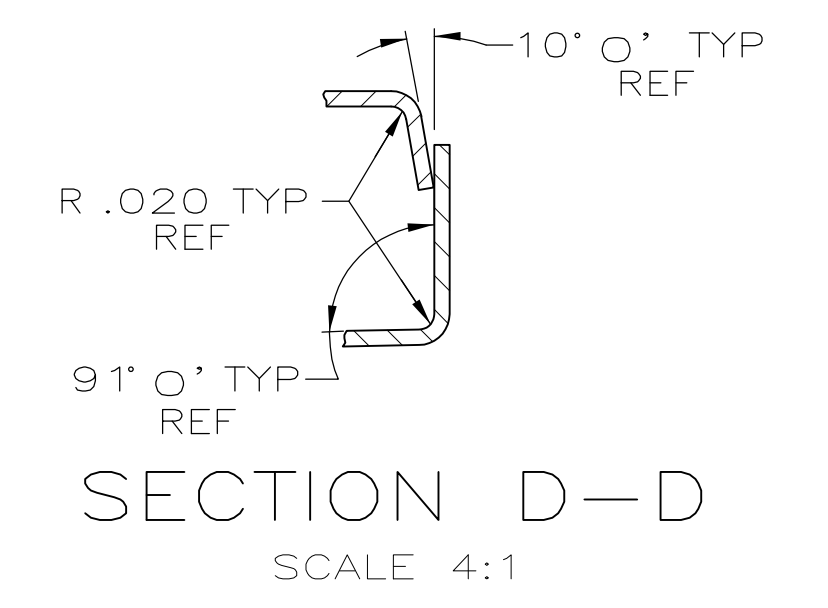
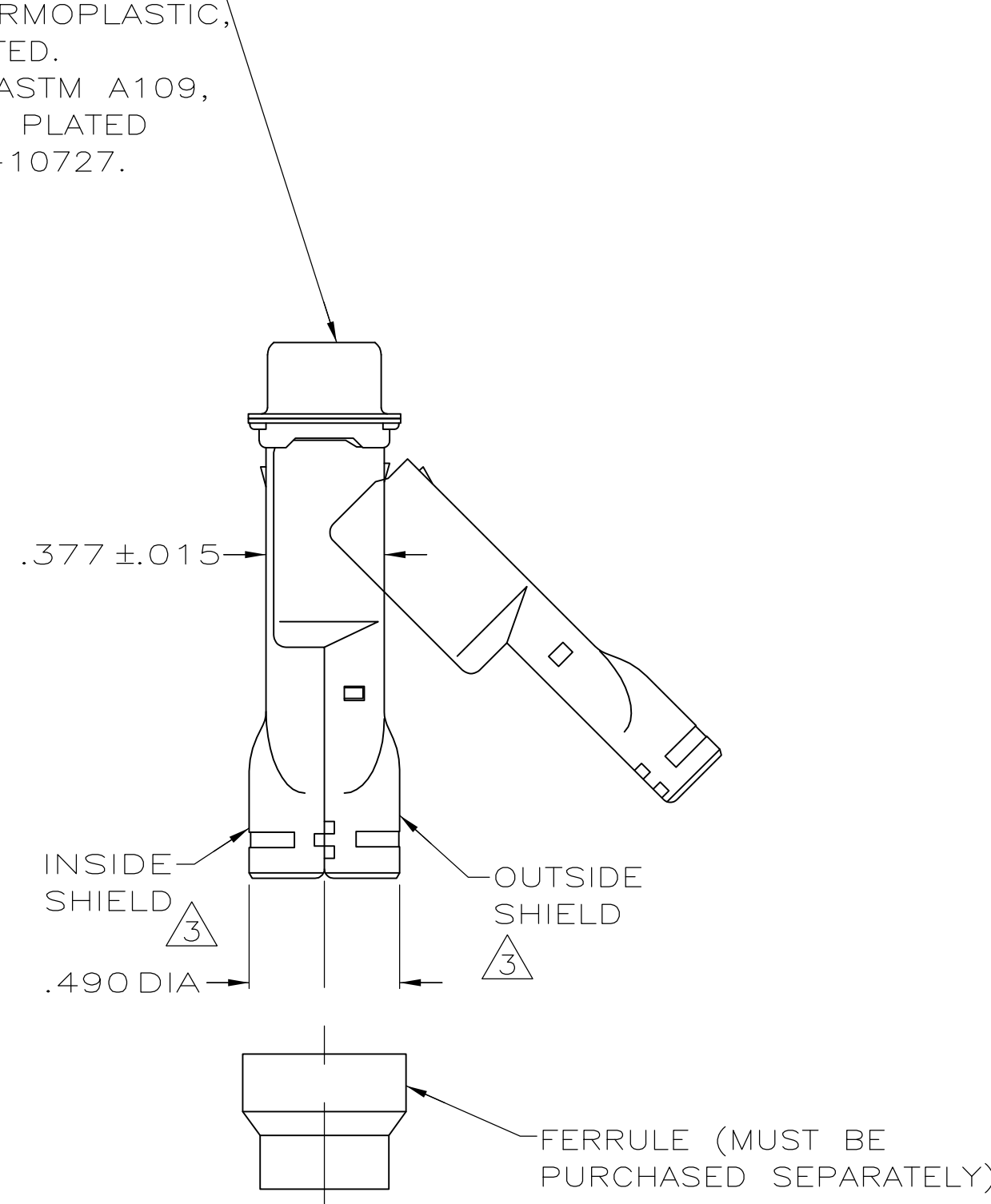
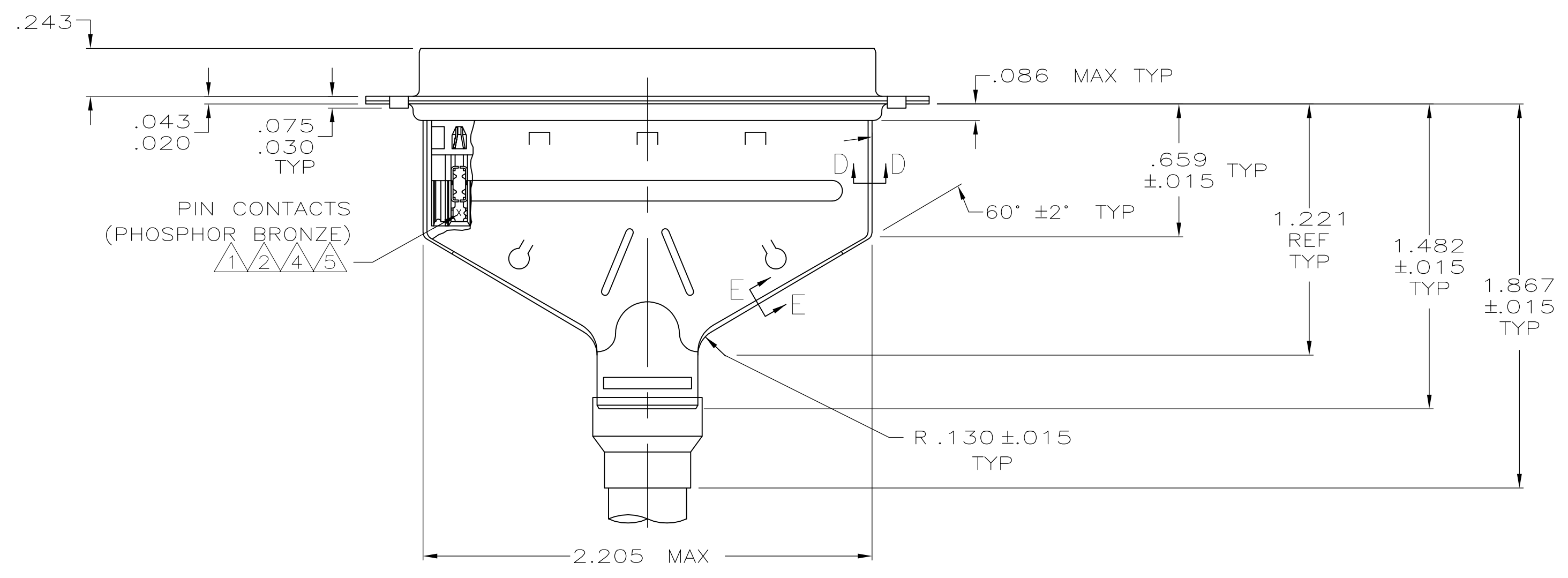


LOC		DIST		REVISONS			
GP	00	REV	DATE	BY	CHK	APP	
F2		REVISED PER ECO-07-008164	10AUG07	JDP	CWR		
F3		REVISED PER ECO-09-021510	15SEP09	KK	AEG		



RCPT CONNECTOR
 INSERT: BLACK THERMOPLASTIC,
 94V-0 RATED.
 SHELL: STEEL PER ASTM A109,
 BRIGHT TIN PLATED
 PER MIL-T-10727.



- ① RCPT CONNECTOR FULLY LOADED WITH CONTACTS. ALL OTHER PARTS SHIPPED UNASSEMBLED (EACH PART INDIVIDUALLY BULK PACKED).
- ② NUMBER ON CONTACT INDICATES WIRE RANGE.
- ③ SHIELDS: MATERIAL-.020 THICK STEEL, TIN PLATED.
- ④ CONTACTS PLATED .000030 GOLD ON MATING END FOR .150 MIN LENGTH. .000100-.000200 BRIGHT TIN OR BRIGHT TIN-LEAD IN WIRE TERMINATION AREA. .000050 NICKEL UNDERPLATE ON ENTIRE CONTACT.
- ⑤ CONTACTS PLATED WITH GOLD FLASH ON MATING END FOR .150 MIN LENGTH. .000100-.000200 BRIGHT TIN OR BRIGHT TIN-LEAD IN WIRE TERMINATION AREA. .000030 NICKEL UNDERPLATE ON ENTIRE CONTACT.
- ⑥ RAISED CAVITY IDENTIFICATION AND AMP TRADEMARK.
- ⑦ CONTACTS PLATED .000050 GOLD ON MATING END FOR .150 MIN LENGTH. .000100-.000200 BRIGHT TIN OR BRIGHT TIN-LEAD IN WIRE TERMINATION AREA. .000050 NICKEL UNDERPLATE IN ENTIRE CONTACT.
- ⑧ CONTACTS PLATED WITH GOLD FLASH ON MATING END FOR .150 MIN LENGTH. .000100-.000200 MATTE TIN IN WIRE TERMINATION AREA, .000030 MIN NICKEL UNDERPLATE ON ENTIRE CONTACT.
- ⑨ OBSOLETE PARTS: OBSOLETE CIS STREAMLINING PER D.RENAUD/D.SINISI

REV	DESCRIPTION	DATE	BY	CHK	APP
8					
7					
6					
5					
4					
3					
2					
1					

CONTACT FINISH	WIRE RANGE	PART NUMBER
②		
⑧	2	#22-26 747564-9
⑧	1	#26-30 747564-8
⑦	2	#22-26 747564-7
⑦	3	#20-22 747564-6
⑤	2	#22-26 747564-5
⑤	1	#26-30 747564-4
④	3	#20-22 747564-3
④	2	#22-26 747564-2
④	1	#26-30 747564-1

THIS DRAWING IS A CONTROLLED DOCUMENT.

DIMENSIONS: INCHES

TOLERANCES UNLESS OTHERWISE SPECIFIED:

0 PLC	± .005
1 PLC	± .005
2 PLC	± .005
3 PLC	± .005
4 PLC	± .005
ANGLES	± 0° 30'

MATERIAL: SEE CALL OUT

FINISH: SEE CALL OUT

APPROVED: M. WALSLEY

DATE: 11-17-04

NAME: M. WALSLEY

APPLICATION SPEC: 114-40002

WEIGHT: -

CUSTOMER DRAWING

SCALE: 2:1

SHEET: 1 OF 1

REV: F3

Tyco Electronics Corporation
 Harrisburg, PA 17105-3608

Kit, RCPT, SHIELDING HARDWARE,
 SIZE 4, 37 POSN, HDE-20,
 AMPLIMITE