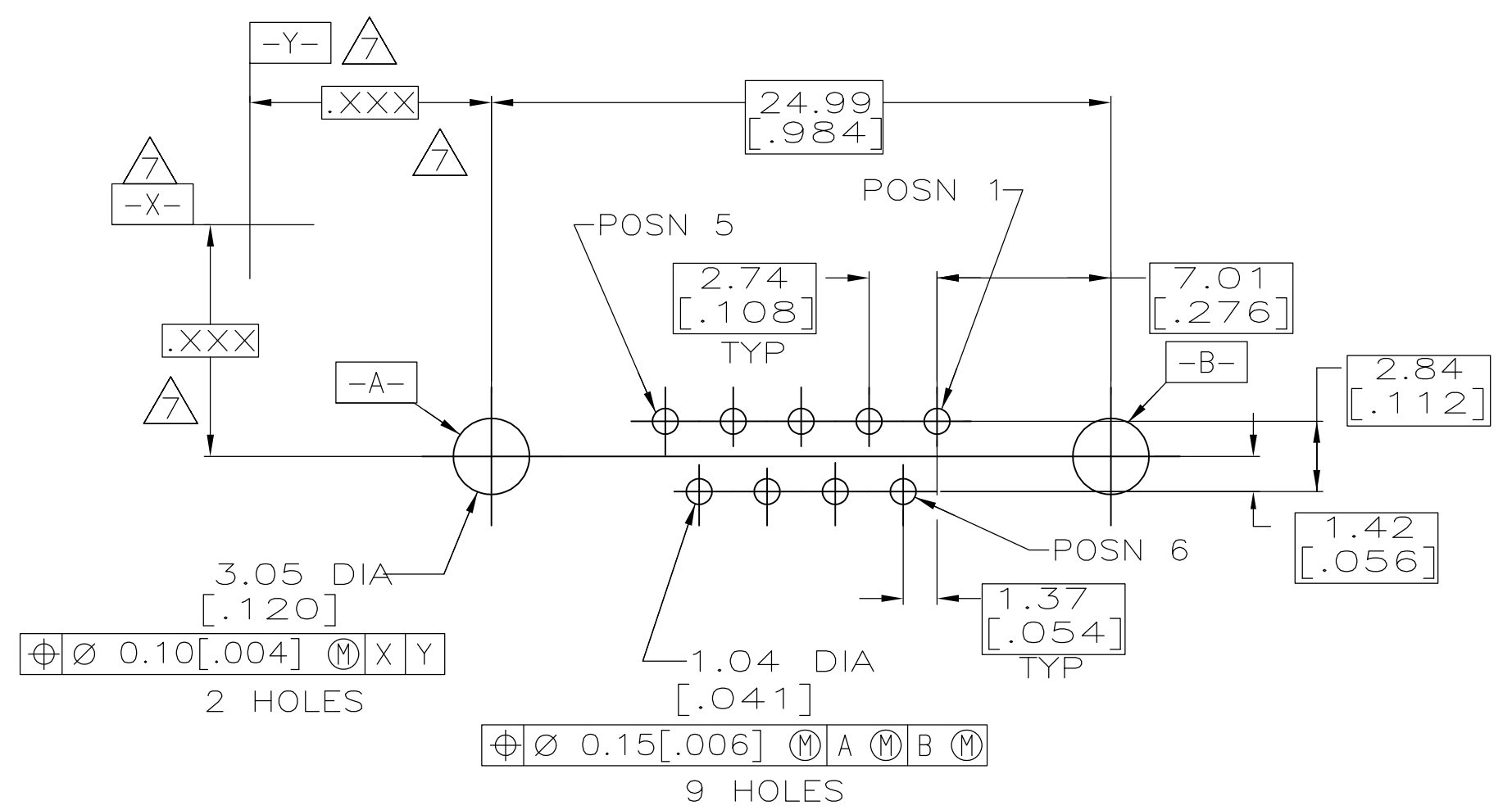
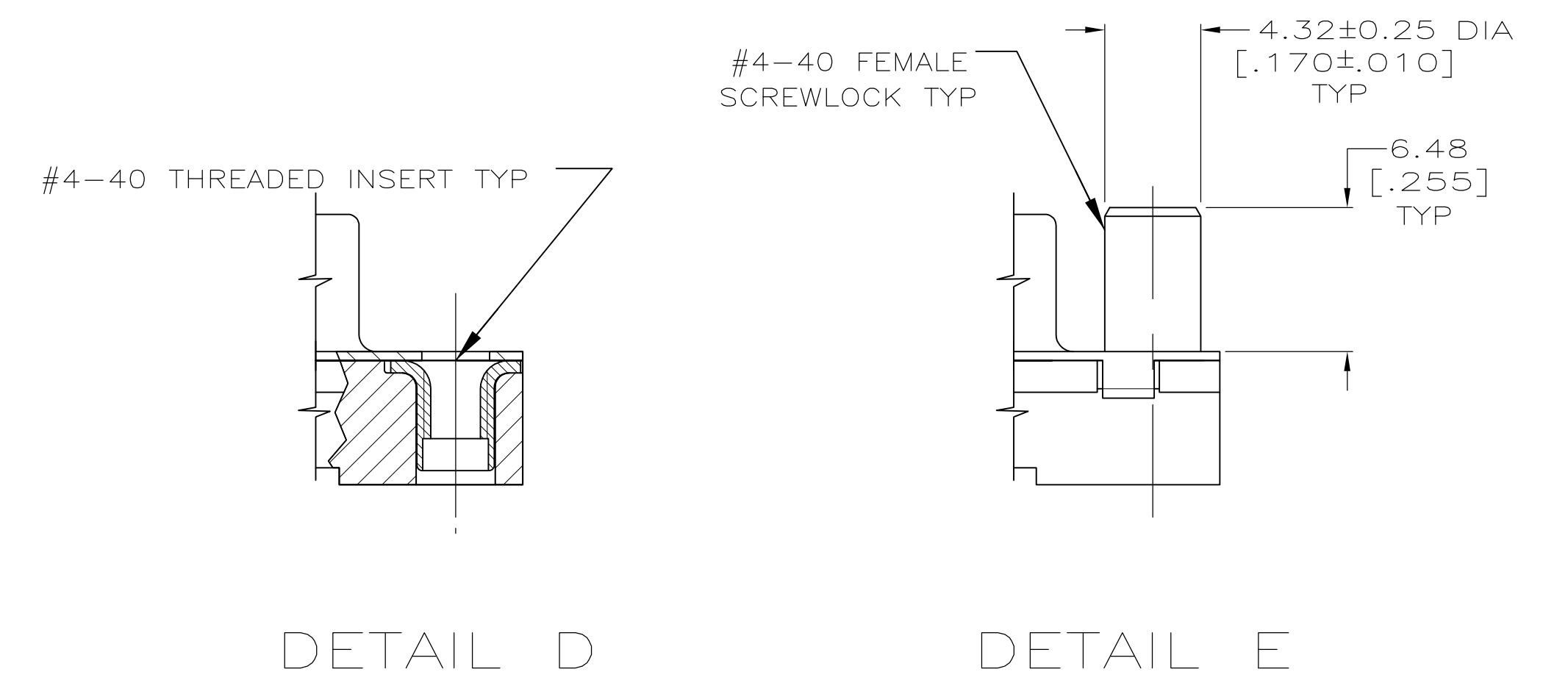
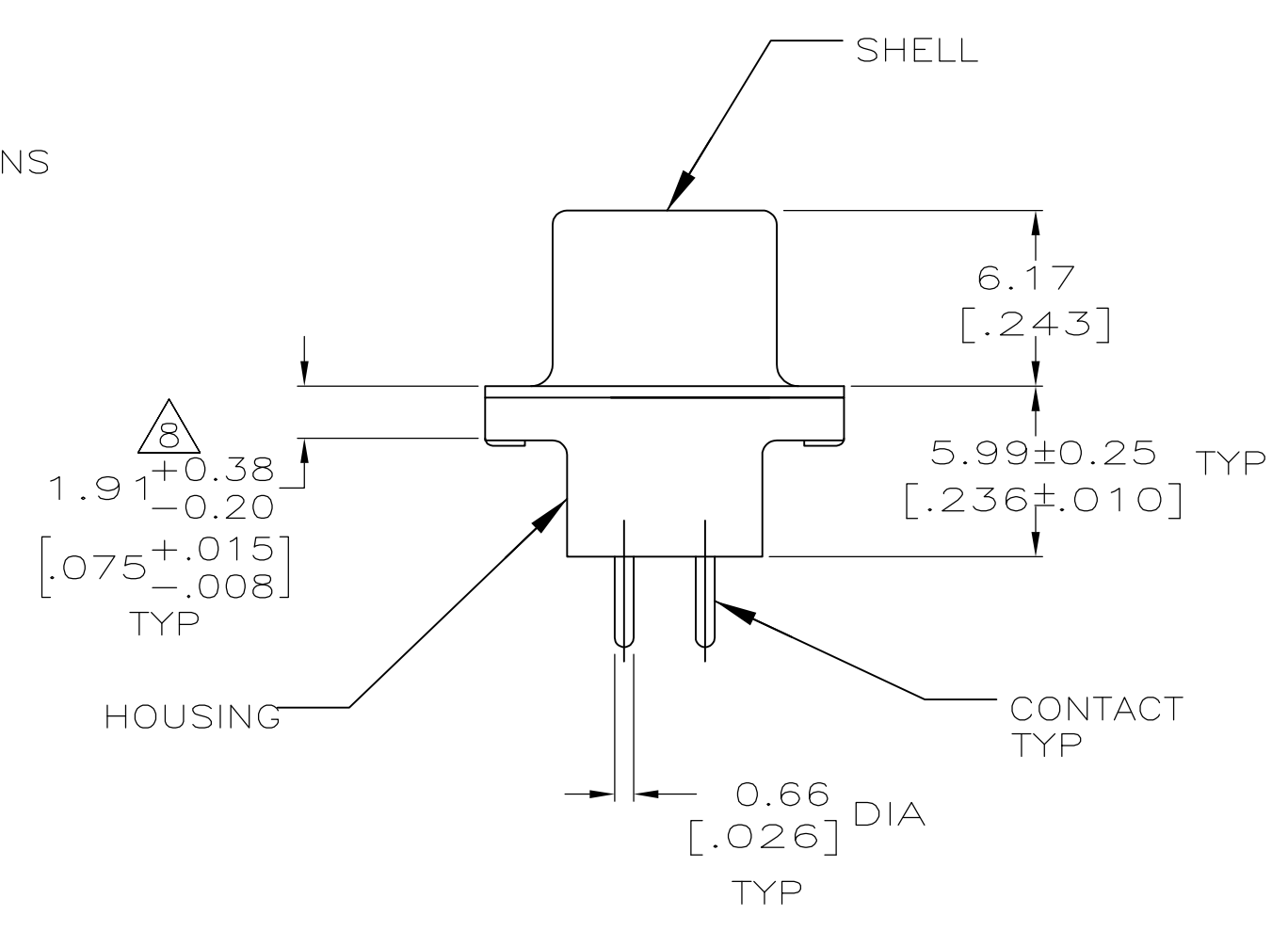
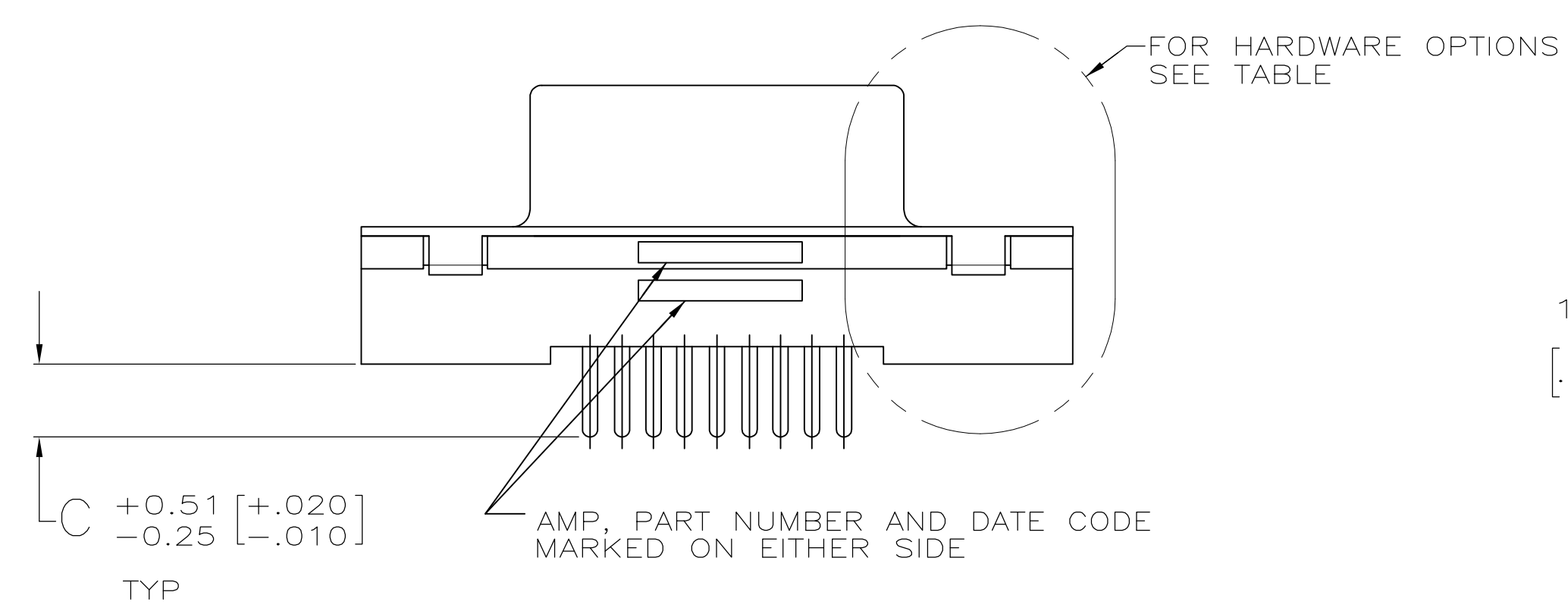
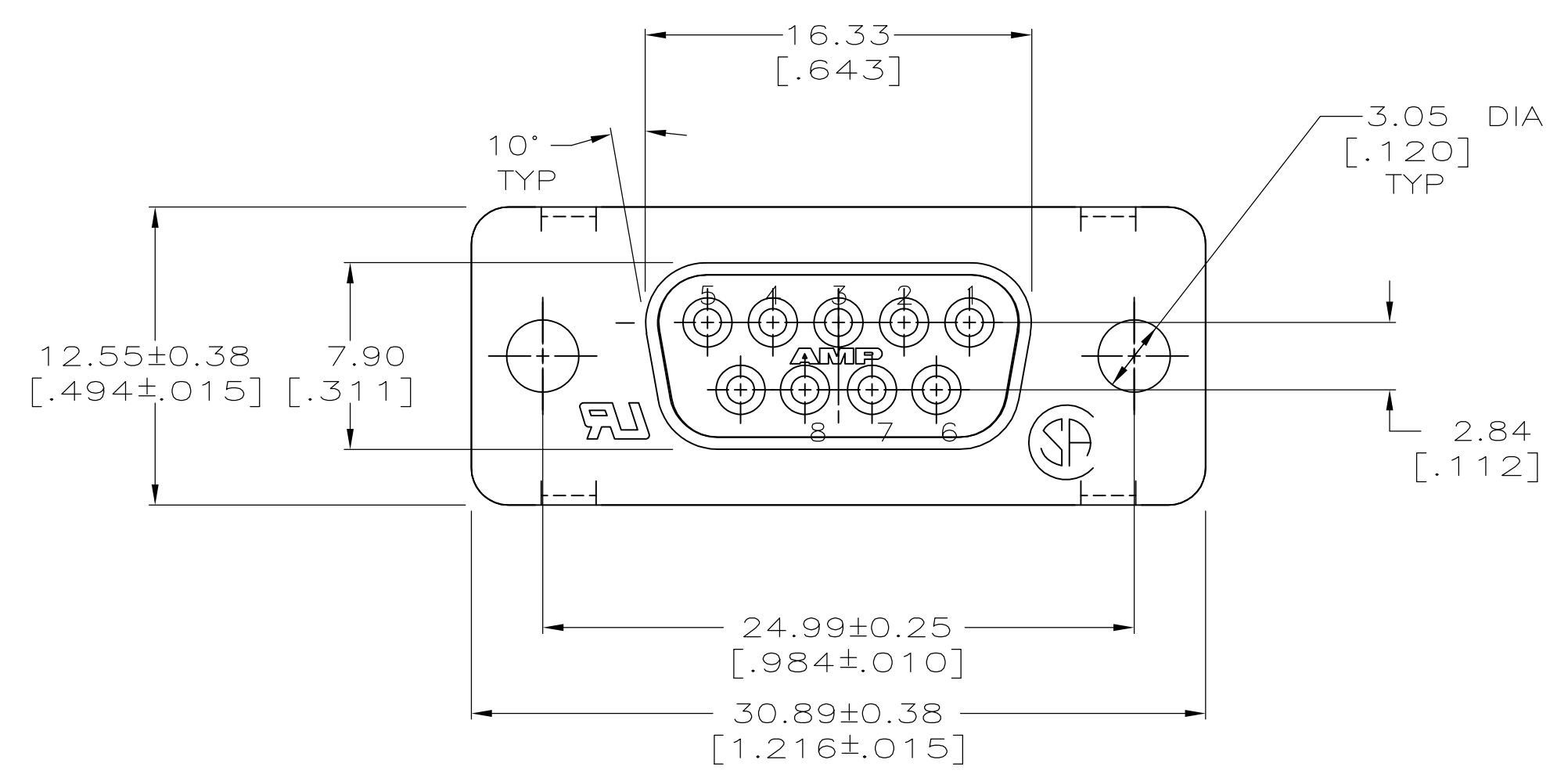


- △ HOUSING: POLYESTER, UL 94V-0 RATED, BLACK.
- △ SHELL: CARBON STEEL.
- △ SHELL: 5.08um [.000200] MIN TIN OVER 2.54um [.000100] MIN COPPER.
- △ GOLD FLASH FOR A LENGTH OF 2.54[.100] MIN FROM MATING END, 2.54um [.000100] MIN TIN OR TIN-LEAD ON OPPOSITE END, BOTH OVER 1.27um [.000050] MIN NICKEL.
- △ 0.76um [.000030] MIN GOLD FOR A LENGTH OF 2.54 [.100] MIN FROM MATING END, 2.54um [.000100] MIN TIN OR TIN-LEAD ON OPPOSITE END, BOTH OVER 1.27um [.000050] MIN NICKEL.
- 6. NOTE DELETED.
- △ DATUMS AND BASIC DIMENSIONS ESTABLISHED BY CUSTOMER.
- △ 2.79[.110] MAX IN SHELL TAB CLINCH AREAS.
- △ SUPERSEDED BY 747150-2.
- △ SUPERSEDED BY 747150-9.
- △ SUPERSEDED BY 1-747150-6.
- △ OBSOLETE.
- △ CONTACTS: PHOSPHOR BRONZE.
- △ SCREWLOCKS: ZINC.
- △ INSERTS: BRASS.



RECOMMENDED PC BOARD LAYOUT
CONNECTOR SIDE OF PC BOARD

W/FEMALE SCREWLOCKS PER DETAIL E	△ 5	4.32 [.170]	1-747150-6
	△ 4	4.32 [.170]	1-747150-5
W/THREADED INSERTS PER DETAIL D	△ 5	3.18 [.125]	1-747150-4
	△ 4	3.18 [.125]	1-747150-3
	△ 4	6.35 [.250]	1-747150-1
	△ 5	4.32 [.170]	1-747150-0
WO/FEMALE SCREWLOCKS OR THREADED INSERTS AS SHOWN	△ 4	4.32 [.170]	747150-9
	△ 5	3.18 [.125]	747150-8
	△ 4	3.18 [.125]	747150-7
	△ 5	4.32 [.170]	747150-4
HARDWARE OPTIONS	△ 5	3.18 [.125]	747150-2
	△ 4	3.18 [.125]	747150-1
FINISH	C		PART NO

THIS DRAWING IS A CONTROLLED DOCUMENT.

DIMENSIONS: mm [INCHES]	TOLERANCES UNLESS OTHERWISE SPECIFIED:	DIN D BROCKWAY 3-22-93	DRW R STONE 5-10-93	APVD	NAME
0 PLC ± -	1 PLC ± -	2 PLC ± 0.13 [.005]	3 PLC ± -	4 PLC ± -	ANGLES ± -
MATERIAL		FINISH		WEIGHT	
CONTACTS: SEE TABLE		CUSTOMER DRAWING		SCALE 4:1	SHEET 1 OF 1

RECEPTACLE ASSEMBLY, SIZE 1, 9 POSITION FRONT METAL SHELL, WITH OR WITHOUT SCREWLOCKS OR INSERTS.

STE TE Connectivity

108-40025

114-40023

00779 C=747150