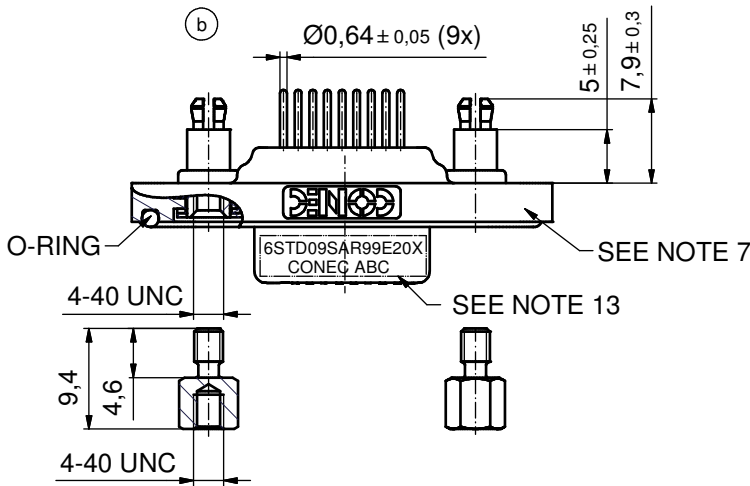
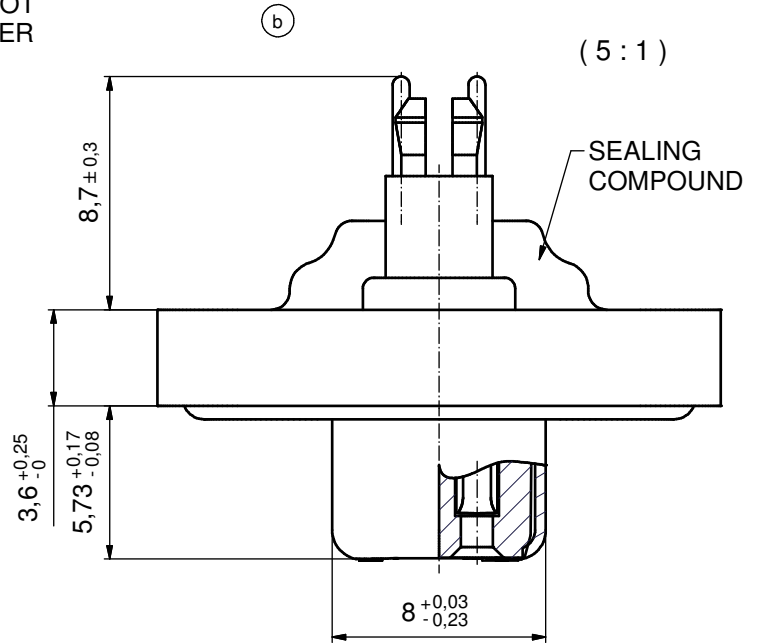
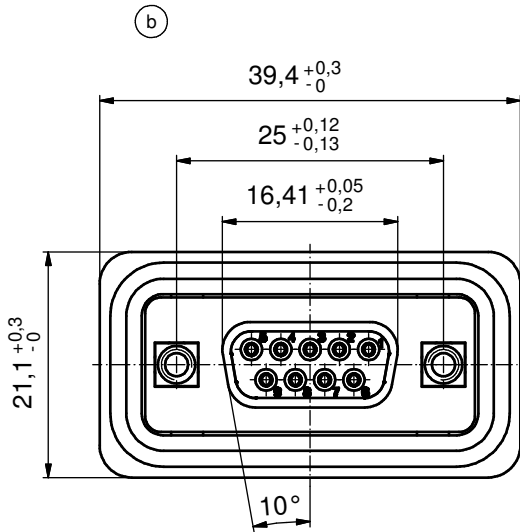
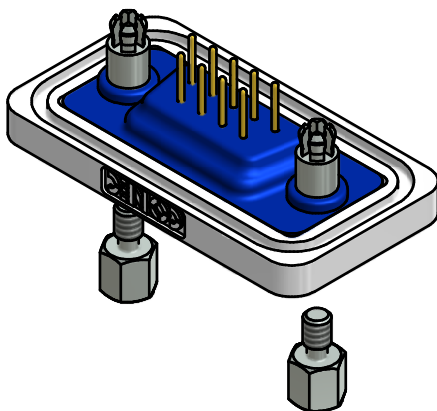


AT ALL TIMES WATER RESISTANT CONNECTORS NOT IN USE SHOULD BE COVERED WITH A CONEC WATER RESISTANT CAP OR WATER TIGHT HOOD.



NOTES:

1. FOR WAVESOLDERING (SOLDER BATH TEMPERATURE 240°C FOR 5 SEC. AND SOLDER PREHEAT 120°C FOR 120 SEC.)
2. METALSHELLS: COPPER ALLOY; min. 315µm TIN over 40-80µm NICKEL
3. INSULATORS: PBT GF UL 94 V-0; BLACK
4. CONTACTS: COPPER ALLOY
PLATING: GOLD FLASH over NICKEL
5. THREADED SPACER CLIPS: COPPER ALLOY; min. 200µm TIN over 80µm NICKEL
PCB-HOLE: $\phi 3,1 \pm 0,1$; PCB THICKNESS 1,6mm
6. COLLARS: COPPER ALLOY; min. 200µm TIN over 80µm NICKEL
7. FRAME: ZINC DIE CAST; NICKEL PLATED
8. O-RING: SILICON; BLUE
9. SEALING COMPOUND: PUR; BLUE
10. HEXLOCKING SCREWS: STAINLESS STEEL
11. P.C.B. HOLE DRILLINGS + RECOMMENDED PANEL CUT-OUT ON SHEET 2
12. RECOMMENDED TORQUE FOR MOUNTING SCREW 35Ncm (3.1 in.LB) / max. 40Ncm (3.5 in.LB)
13. CONNECTOR IS PART MARKED: [6STD09SAR99E20X CONEC ABC]

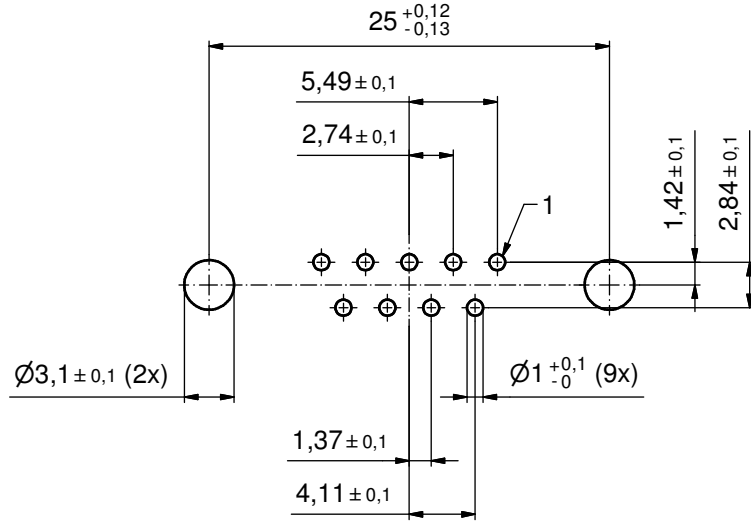


THIS DRAWING MAY NOT BE COPIED OR REPRODUCED IN ANY WAY, AND MAY NOT BE PASSED ON TO A THIRD PARTY WITHOUT WRITTEN PERMISSION. OWNERSHIP AND COPYRIGHT OF CONEC GmbH DO NOT ALTER CAD DRAWING BY HAND	tolerance		dim. in mm		scale:	2:1 (5:1)
					material:	SEE NOTES
	date	name		title:		
	drawn	29.01.04	Lehmenkühler		D-SUB FEMALE 9pos. SOLDER PIN STRAIGHT with threaded spacer clip and hexlocking screw	
appd.	29.01.04	Mickenbecker				
norm	DIN 41652		dwg no:			
5 x b	A4141	26.10.2011	K.H.	dwg no:		18K2A244
a	Original			part no:		6STD09SAR99E20X
rev.	description	date	name			sh: 1/8

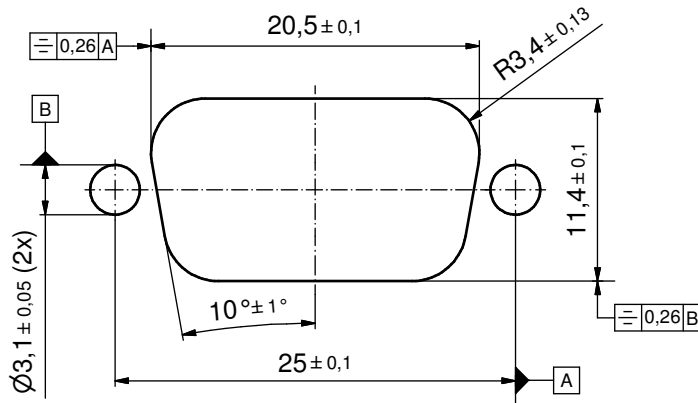
Directive 2002/95/EC RoHS compliant

P.C.B. HOLE DRILLINGS

(P.C.B. TOP SIDE)

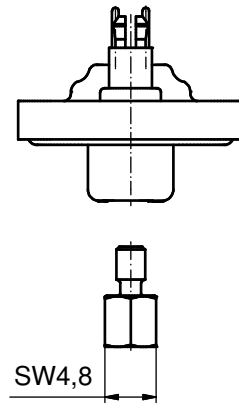
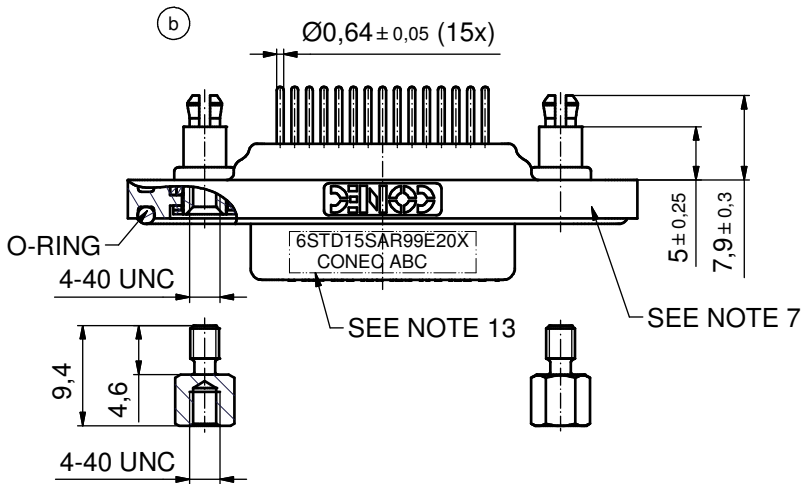
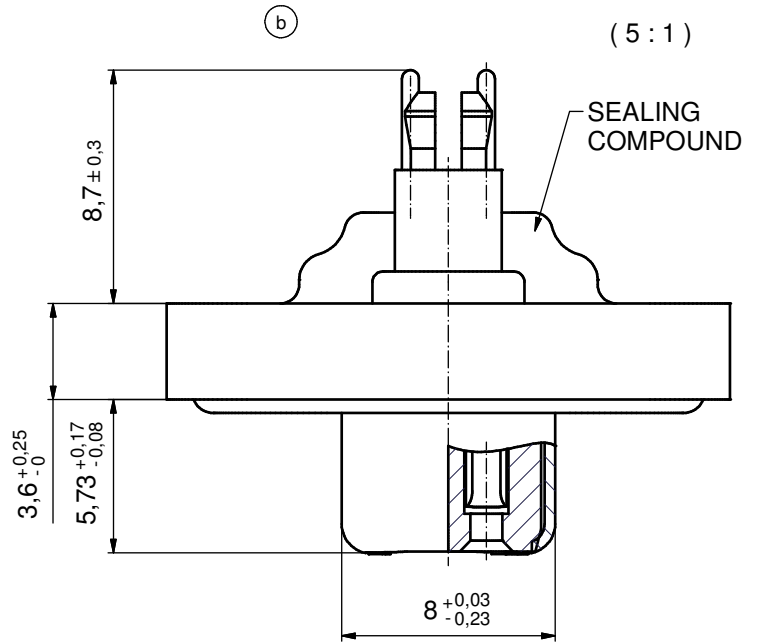
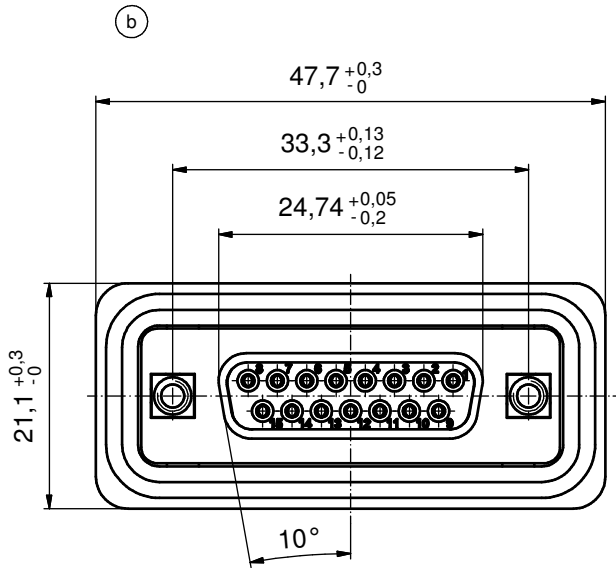


RECOMMENDED PANEL CUT-OUT (b)



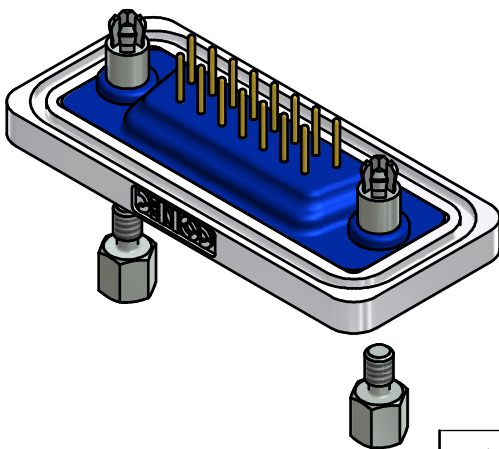
THIS DRAWING MAY NOT BE COPIED OR REPRODUCED IN ANY WAY, AND MAY NOT BE PASSED ON TO A THIRD PARTY WITHOUT WRITTEN PERMISSION. OWNERSHIP AND COPYRIGHT OF CONEC GmbH DO NOT ALTER CAD DRAWING BY HAND				tolerance		scale: 3:1	
				date	name	material: SEE SHEET 1	
				drawn	29.01.04	Lehmenkühler	
				appd.	29.01.04	Mickenbecker	
				norm			
			d-old			title: P.C.B. HOLE DRILLINGS RECOMMENDED PANEL CUT-OUT D-SUB Female 9pos. Solder pin straight	
1 x b	A4141	26.10.2011	K.H.	CONEC [®]		dwg no: 18K2A244	DIN-A3
a	Original					sh: 2/8	
rev.	description	date	name			part no: SEE SHEET 1	

AT ALL TIMES WATER RESISTANT CONNECTORS NOT IN USE SHOULD BE COVERED WITH A CONEC WATER RESISTANT CAP OR WATER TIGHT HOOD.



NOTES:

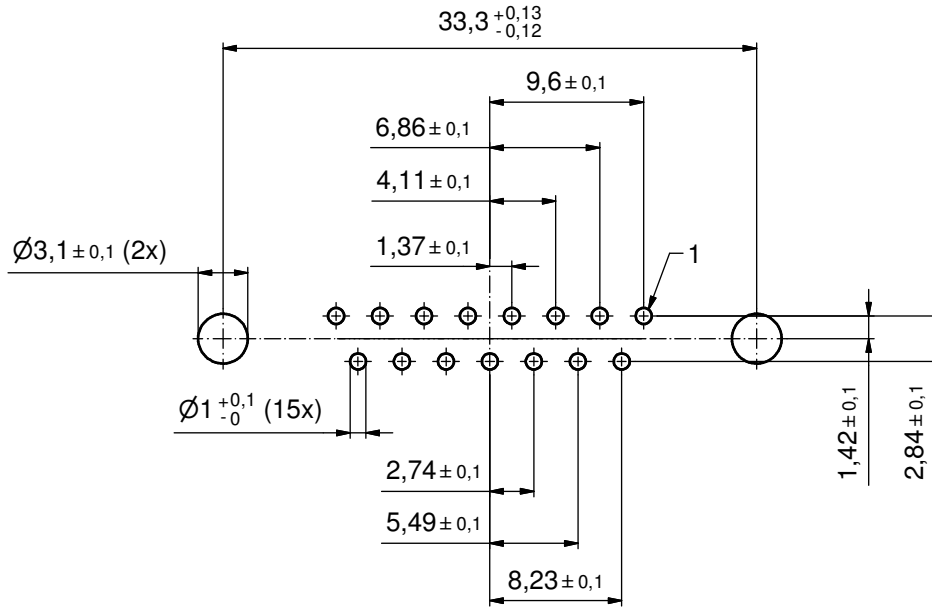
1. FOR WAVESOLDERING (SOLDER BATH TEMPERATURE 240°C FOR 5 SEC. AND SOLDER PREHEAT 120°C FOR 120 SEC.)
2. METALSHELLS: COPPER ALLOY; min. 315µm TIN over 40-80µm NICKEL
3. INSULATORS: PBT GF UL 94 V-0; BLACK
4. CONTACTS: COPPER ALLOY
PLATING: GOLD FLASH over NICKEL
5. THREADED SPACER CLIPS: COPPER ALLOY; min. 200µm TIN over 80µm NICKEL
PCB-HOLE: $\varnothing 3,1 \pm 0,1$; PCB THICKNESS 1,6mm
6. COLLARS: COPPER ALLOY; min. 200µm TIN over 80µm NICKEL
7. FRAME: ZINC DIE CAST; NICKEL PLATED
8. O-RING: SILICON; BLUE
9. SEALING COMPOUND: PUR; BLUE
10. HEXLOCKING SCREWS: STAINLESS STEEL
11. P.C.B. HOLE DRILLINGS + RECOMMENDED PANEL CUT-OUT ON SHEET 2
12. RECOMMENDED TORQUE FOR MOUNTING SCREW 35Ncm (3.1 in.LB) / max. 40Ncm (3.5 in.LB)
13. CONNECTOR IS PART MARKED: 6STD15SAR99E20X CONEQ ABC



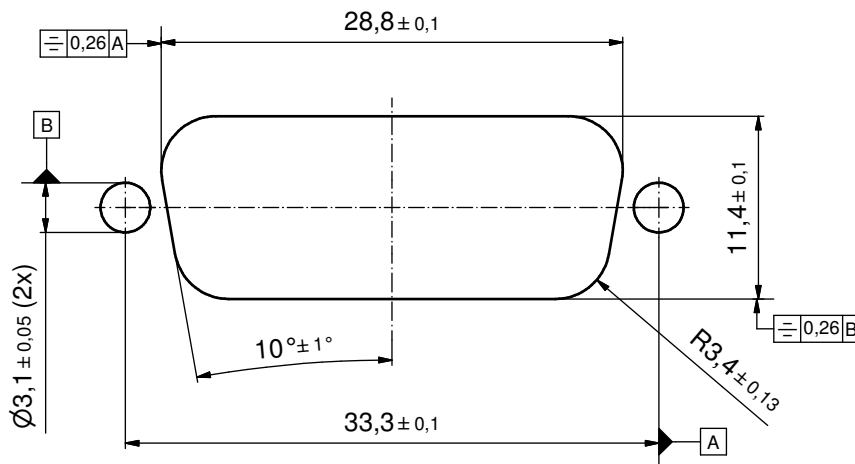
Directive 2002/95/EC RoHS compliant

THIS DRAWING MAY NOT BE COPIED OR REPRODUCED IN ANY WAY, AND MAY NOT BE PASSED ON TO A THIRD PARTY WITHOUT WRITTEN PERMISSION. OWNERSHIP AND COPYRIGHT OF CONEC GmbH				tolerance		scale: 2:1 (5:1)	
				dim. in mm		material: SEE NOTES	
DO NOT ALTER CAD DRAWING BY HAND				date	name	title: D-SUB FEMALE 15pos. SOLDER PIN STRAIGHT with threaded spacer clip and hexlocking screw	
				drawn	29.04.04		
appd.	29.04.04	Mickenbecker					
norm	DIN 41652						
5 x b	A4141	26.10.2011	K.H.	d-old		dwg no:	DIN-A3
a	Original					18K2A244	sh: 3/8
rev.	description	date	name	CONEC		part no:	6STD15SAR99E20X

P.C.B. HOLE DRILLINGS
(P.C.B. TOP SIDE)



RECOMMENDED PANEL CUT-OUT (b)

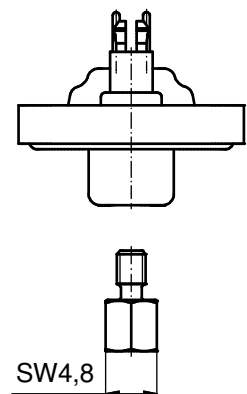
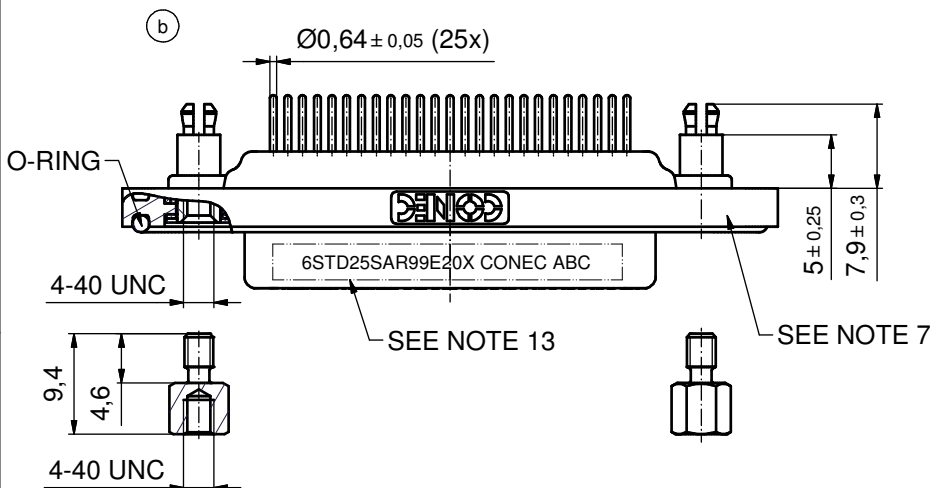
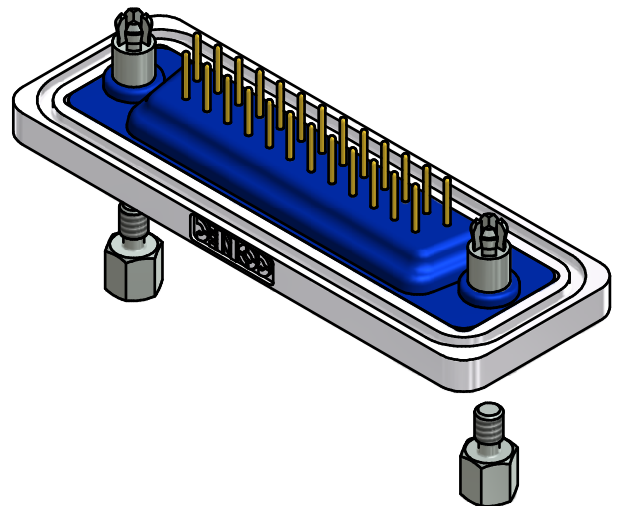
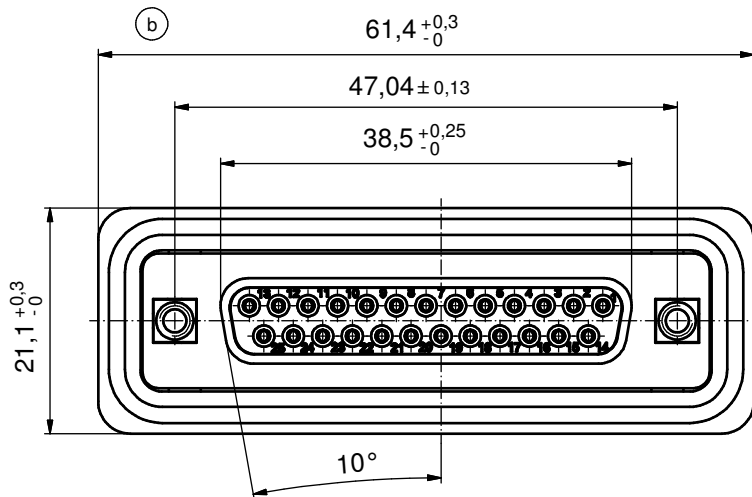
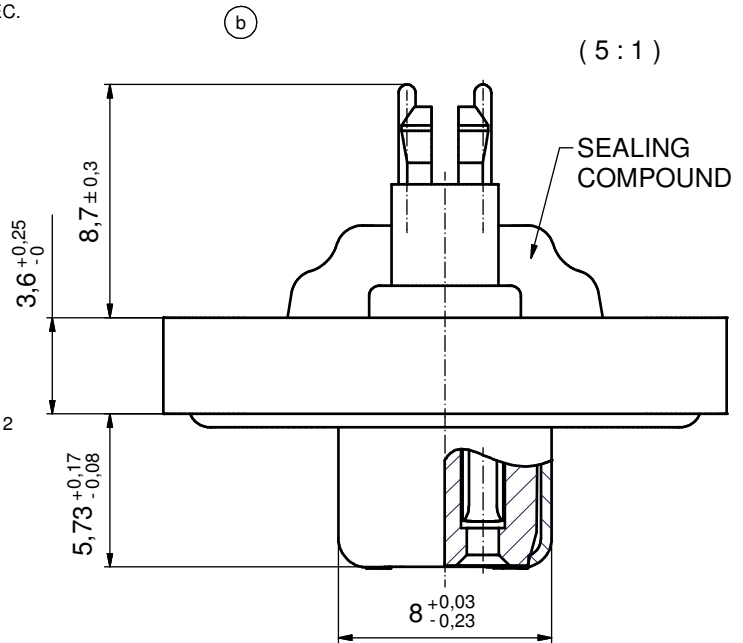


THIS DRAWING MAY NOT BE COPIED OR REPRODUCED IN ANY WAY, AND MAY NOT BE PASSED ON TO A THIRD PARTY WITHOUT WRITTEN PERMISSION. OWNERSHIP AND COPYRIGHT OF CONEC GmbH DO NOT ALTER CAD DRAWING BY HAND					tolerance	dim. in mm	scale:	3:1		
					date		name	material:	SEE SHEET 3	
					drawn	29.01.04	Lehmenkühler	title: P.C.B. HOLE DRILLINGS RECOMMENDED PANEL CUT-OUT D-SUB Female 15pos. Solder pin straight		
					appd.	29.01.04	Mickenbecker			
					norm	DIN 41652				
					d-old			dwg no:		DIN-A3
	1 x b	A4141	26.10.2011	K.H.			18K2A244		sh: 4/8	
	a	Original					part no:		SEE SHEET 3	
rev.	description	date	name							

NOTES: (b)

1. FOR WAVESOLDERING (SOLDER BATH TEMPERATURE 240°C FOR 5 SEC. AND SOLDER PREHEAT 120°C FOR 120 SEC.)
2. METALSHELLS: COPPER ALLOY; min. 315µin TIN over 40-80µin NICKEL
3. INSULATORS: PBT GF UL 94 V-0; BLACK
4. CONTACTS: COPPER ALLOY
PLATING: GOLD FLASH over NICKEL
5. THREADED SPACER CLIPS: COPPER ALLOY;
min. 200µin TIN over 80µin NICKEL
PCB-HOLE: $\varnothing 3,1 \pm 0,1$; PCB THICKNESS 1,6mm
6. COLLARS: COPPER ALLOY; min. 200µin TIN over 80µin NICKEL
7. FRAME: ZINC DIE CAST; NICKEL PLATED
8. O-RING: SILICON; BLUE
9. SEALING COMPOUND: PUR; BLUE
10. HEXLOCKING SCREWS: STAINLESS STEEL
11. P.C.B. HOLE DRILLINGS + RECOMMENDED PANEL CUT-OUT ON SHEET 2
12. RECOMMENDED TORQUE FOR MOUNTING SCREW 35Ncm (3.1 in.LB) / max. 40Ncm (3.5 in.LB)
13. CONNECTOR IS PART MARKED: 6STD25SAR99E20X CONEC ABC

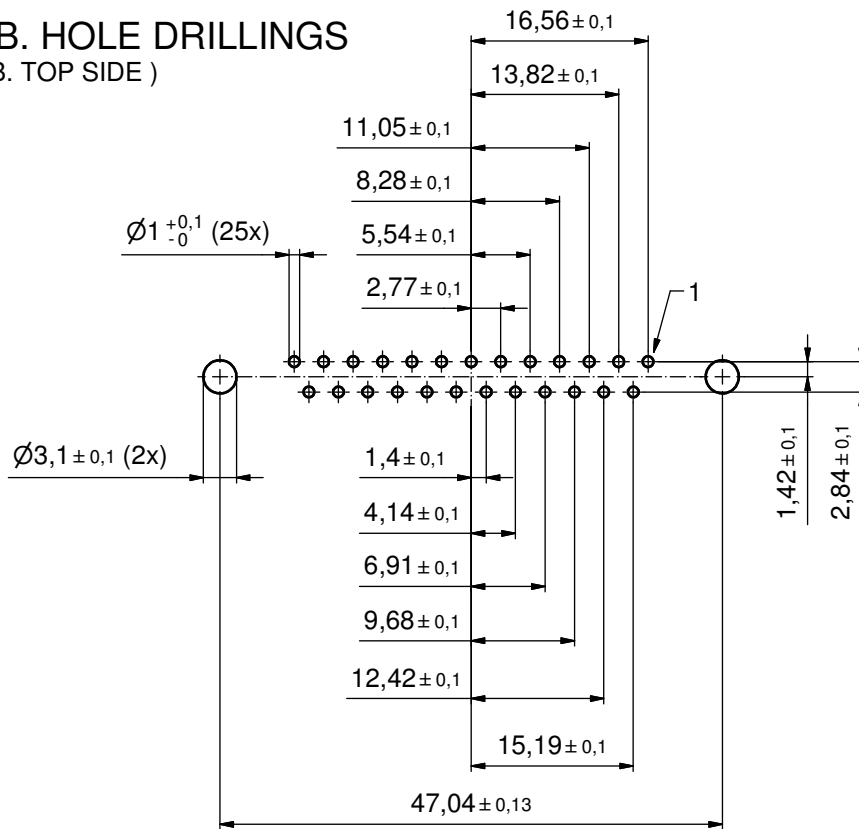
AT ALL TIMES WATER RESISTANT CONNECTORS NOT IN USE SHOULD BE COVERED WITH A CONEC WATER RESISTANT CAP OR WATER TIGHT HOOD.



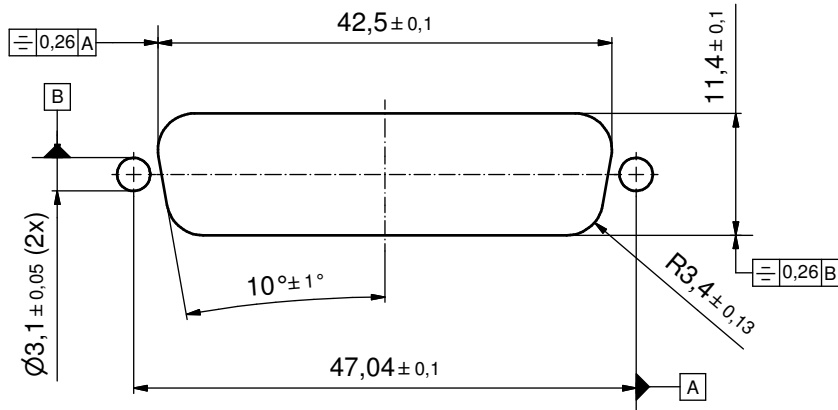
Directive 2002/95/EC RoHS compliant

THIS DRAWING MAY NOT BE COPIED OR REPRODUCED IN ANY WAY, AND MAY NOT BE PASSED ON TO A THIRD PARTY WITHOUT WRITTEN PERMISSION. OWNERSHIP AND COPYRIGHT OF CONEC GmbH DO NOT ALTER CAD DRAWING BY HAND				tolerance		dim. in mm	scale: 2:1 (5:1)
							material: SEE NOTES
				drawn	29.01.04	Lehmenkühler	title: D-SUB FEMALE 25pos. SOLDER PIN STRAIGHT with threaded spacer clip and hexlocking screw
				appd.	29.01.04	Mickenbecker	
norm	DIN 41652						
5 x b	A4141	26.10.2011	K.H.	dwg no:	DIN-A3		
a	Original					(b) sh: 5/8	
rev.	description	date	name	part no:	6STD25SAR99E20X		

P.C.B. HOLE DRILLINGS (P.C.B. TOP SIDE)



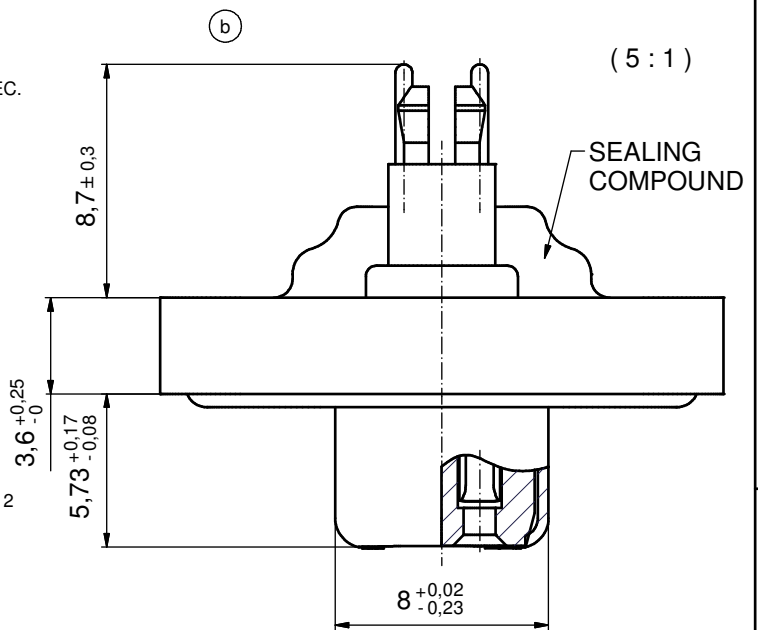
ⓑ RECOMMENDED PANEL CUT-OUT



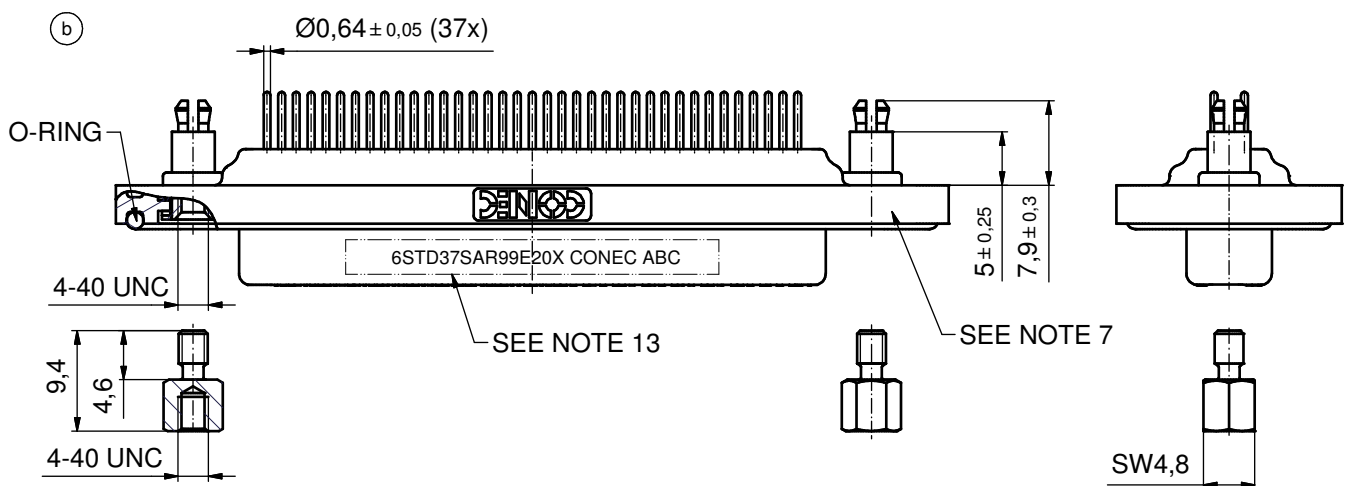
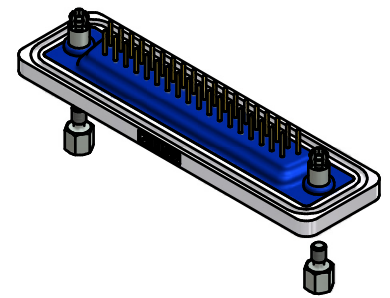
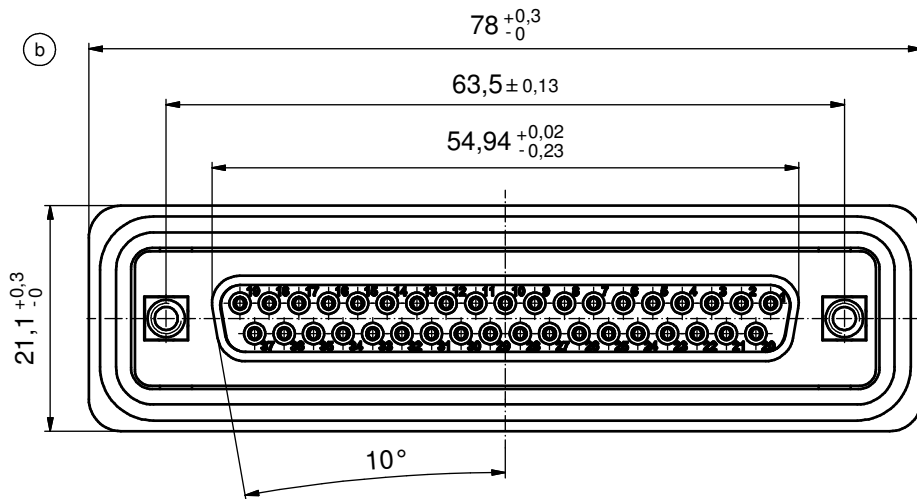
THIS DRAWING MAY NOT BE COPIED OR REPRODUCED IN ANY WAY, AND MAY NOT BE PASSED ON TO A THIRD PARTY WITHOUT WRITTEN PERMISSION. OWNERSHIP AND COPYRIGHT OF CONEC GmbH DO NOT ALTER CAD DRAWING BY HAND				tolerance		scale: 2:1
				dim. in mm		material: SEE SHEETS
				date	name	title: P.C.B. HOLE DRILLINGS RECOMMENDED PANEL CUT-OUT D-SUB FEMALE 25pos. SOLDER PIN STRAIGHT
				drawn	29.01.04 Lehmenkühler	
				appd.	29.01.04 Mickenbecker	
			norm		dwg no:	
			d-old		18K2A244	DIN-A3 sh: 6/8
1 x b	A4141	26.10.2011	K.H.	CONEC [®]		part no: SEE SHEETS
a	Original					

NOTES: (b)

1. FOR WELDSOLDERING (SOLDER BATH TEMPERATURE 240°C FOR 5 SEC. AND SOLDER PREHEAT 120°C FOR 120 SEC.)
2. METALSHELLS: COPPER ALLOY; min. 315µin TIN over 40-80µin NICKEL
3. INSULATORS: PBT GF UL 94 V-0; BLACK
4. CONTACTS: COPPER ALLOY
PLATING: GOLD FLASH over NICKEL
5. THREADED SPACER CLIPS: COPPER ALLOY;
min. 200µin TIN over 80µin NICKEL
PCB-HOLE: $\varnothing 3,1 \pm 0,1$; PCB THICKNESS 1,6mm
6. COLLARS: COPPER ALLOY; min. 200µin TIN over 80µin NICKEL
7. FRAME: ZINC DIE CAST; NICKEL PLATED
8. O-RING: SILICON; BLUE
9. SEALING COMPOUND: PUR; BLUE
10. HEXLOCKING SCREWS: STAINLESS STEEL
11. P.C.B. HOLE DRILLINGS + RECOMMENDED PANEL CUT-OUT ON SHEET 2
12. RECOMMENDED TORQUE FOR MOUNTING SCREW 35Ncm (3.1 in.LB) /
max. 40Ncm (3.5 in.LB)
13. CONNECTOR IS PART MARKED: 6STD37SAR99E20X CONEC ABC

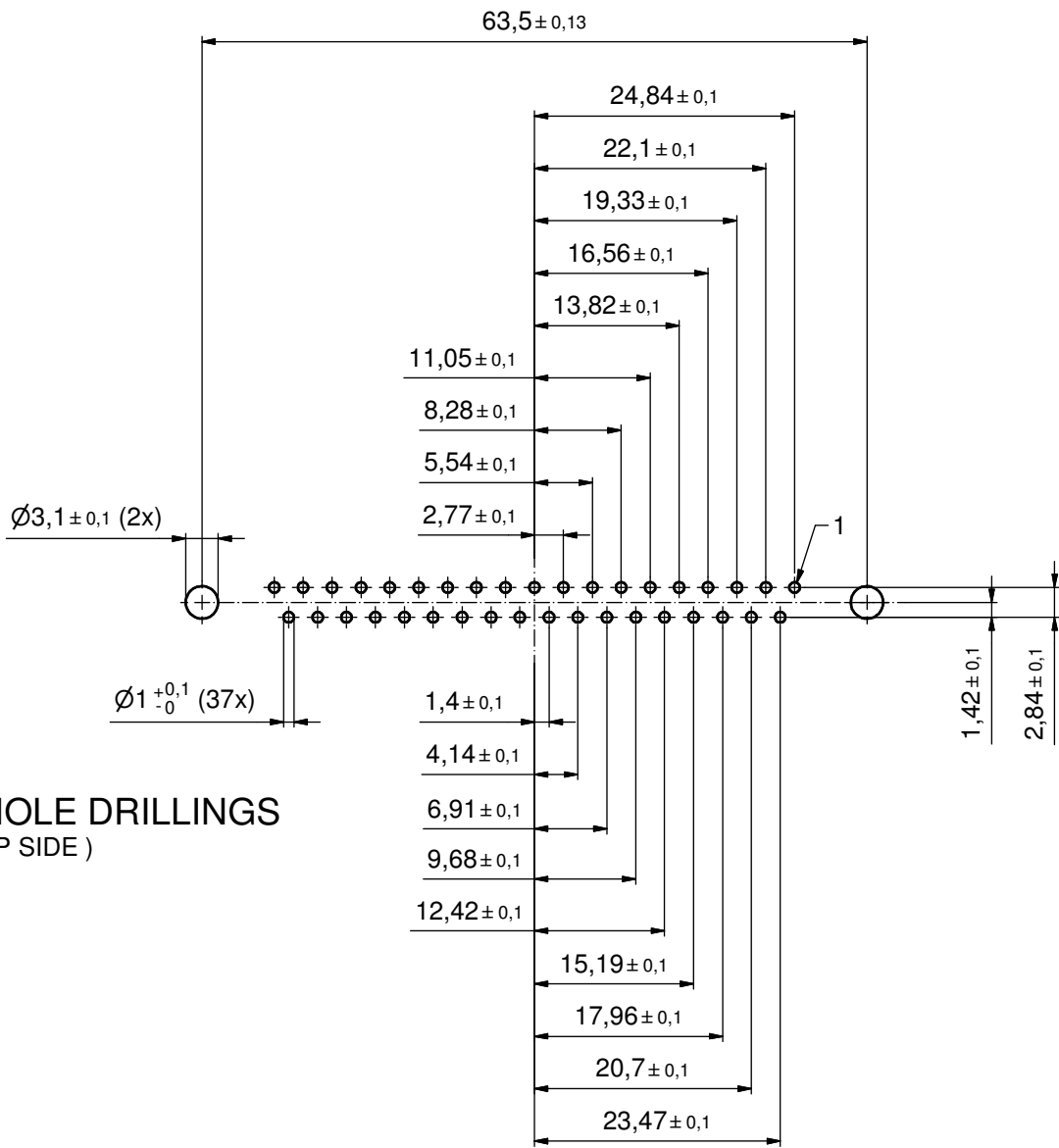


AT ALL TIMES WATER RESISTANT CONNECTORS NOT IN USE SHOULD BE COVERED WITH A CONEC WATER RESISTANT CAP OR WATER TIGHT HOOD.



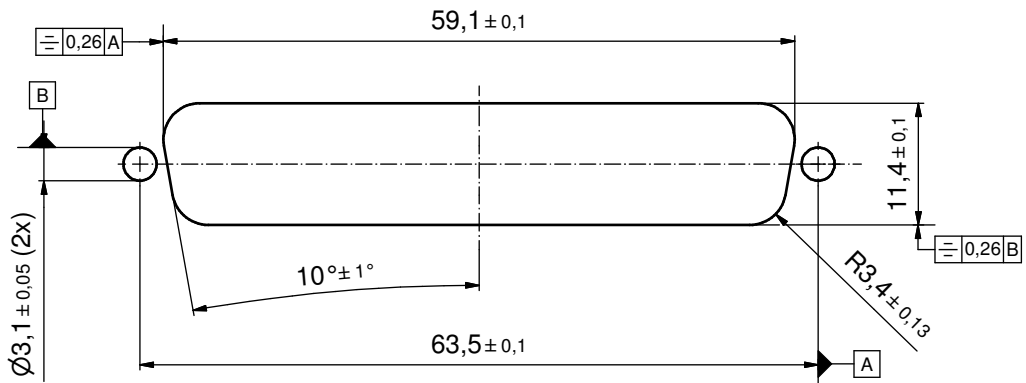
Directive 2002/95/EC RoHS compliant

THIS DRAWING MAY NOT BE COPIED OR REPRODUCED IN ANY WAY, AND MAY NOT BE PASSED ON TO A THIRD PARTY WITHOUT WRITTEN PERMISSION. OWNERSHIP AND COPYRIGHT OF CONEC GmbH DO NOT ALTER CAD DRAWING BY HAND	tolerance		dim. in mm		scale: 2:1 (5:1)
					material: SEE NOTES
	drawn	29.01.04	Lehmenkühler		title: D-SUB FEMALE 37pos. SOLDER PIN STRAIGHT with threaded spacer clip and hexlocking screw
	appd.	29.01.04	Mickenbecker		
	norm				
d-old				dwg no: 18K2A244	
5 x b	A4141	26.10.2011	K.H.		DIN-A3
a	Original				(b) sh: 7/8
rev.	description	date	name	CONEC	part no: 6STD37SAR99E20X



P.C.B. HOLE DRILLINGS
(P.C.B. TOP SIDE)

RECOMMENDED PANEL CUT-OUT (b)



Directive 2002/95/EC RoHS compliant

THIS DRAWING MAY NOT BE COPIED OR REPRODUCED IN ANY WAY, AND MAY NOT BE PASSED ON TO A THIRD PARTY WITHOUT WRITTEN PERMISSION. OWNERSHIP AND COPYRIGHT OF CONEC GmbH DO NOT ALTER CAD DRAWING BY HAND				tolerance		scale: 2:1
				dim. in mm		material: SEE SHEET 7
				date	name	title:
				drawn 29.01.04	Lehmenkühler	P.C.B. HOLE DRILLINGS RECOMMENDED PANEL CUT-OUT D-SUB FEMALE 37pos. SOLDER PIN STRAIGHT
				appd. 29.01.04	Mickenbecker	
			norm	d-old	dwg no:	
1 x b	A4141	26.10.201	K.H.	CONEC [®]		18K2A244
a	Original					DIN-A3
rev.	description	date	name	part no: SEE SHEET 7		sh: 8/8