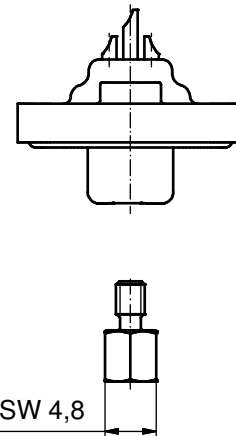
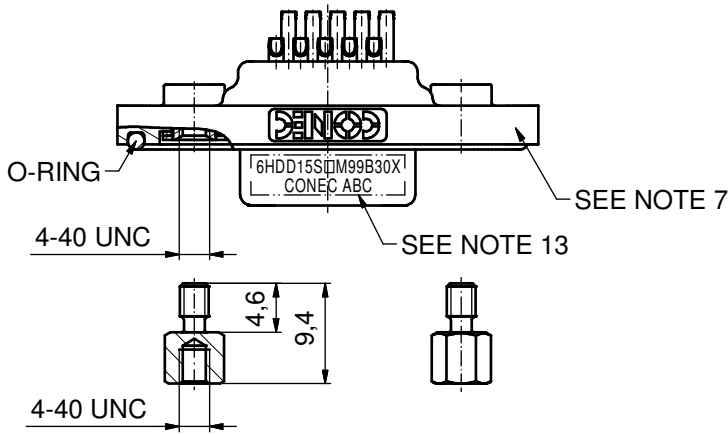
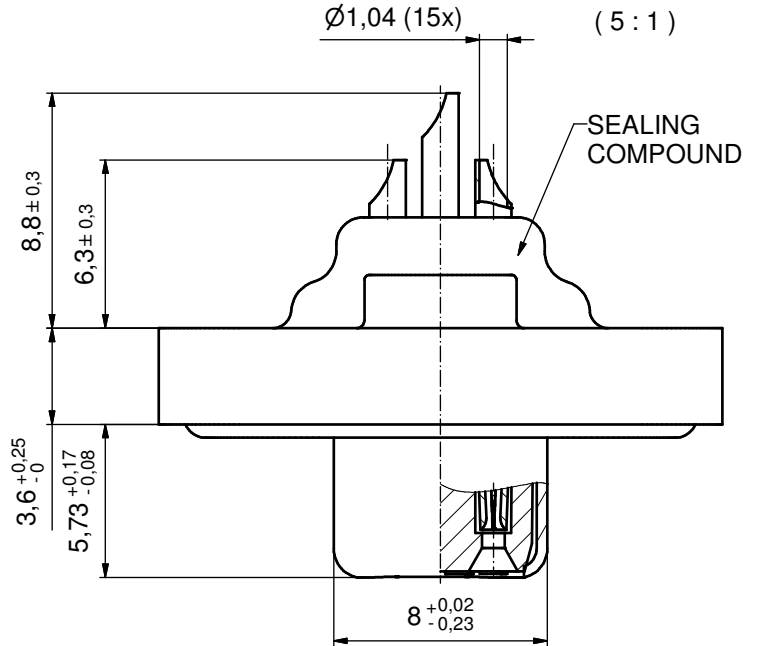
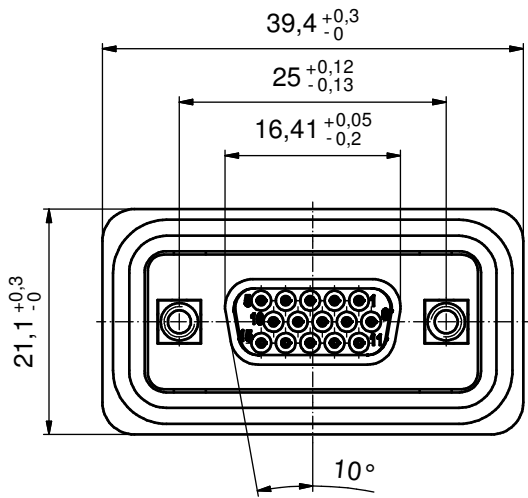
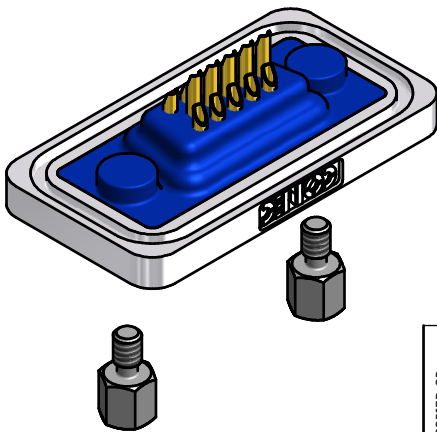


AT ALL TIMES WATER RESISTANT CONNECTORS NOT IN USE SHOULD BE COVERED WITH A CONEC WATER RESISTANT CAP OR WATER TIGHT HOOD.



NOTES:

1. RECOMMENDED SOLDER INSTRUCTION SEE SHEET 2
2. METALSHELLS: COPPER ALLOY; min. 315µin TIN over 40-80µin NICKEL
3. INSULATORS: PBT GF UL 94 V-0, BLACK
4. SIGNAL CONTACTS: COPPER ALLOY; PLATING (SEE PART NO.)
 - (b) PLEASE ADD A for GOLD FLASH over NICKEL (PREFERRED TYPE)
 - PLEASE ADD B for 20µin HARD GOLD over min. 50µin NICKEL
 - PLEASE ADD C for 30µin HARD GOLD over min. 50µin NICKEL
- SOLDER CUP ACCEPTS CABLE AWG 22
5. THREADED INSERTS: COPPER ALLOY; min. 200µin TIN over 80µin NICKEL
6. COLLARS: COPPER ALLOY; min. 200µin TIN over 80µin NICKEL
7. FRAME: ZINC DIE CAST; NICKEL PLATED
8. HEXLOCKING SCREW: STAINLESS STEEL
9. O-RING: SILICON; BLUE
10. SEALING COMPOUND: PUR; BLUE
11. RECOMMENDED PANEL CUT-OUT SEE SHEET 2
12. RECOMMENDED TORQUE FOR MOUNTING SCREW 35Ncm (3.1 in.LB) / max.40Ncm (3.5 in.LB)
13. CONNECTOR IS PART MARKED: **6HDD15S□M99B30X CONEC ABC** (see note 4)



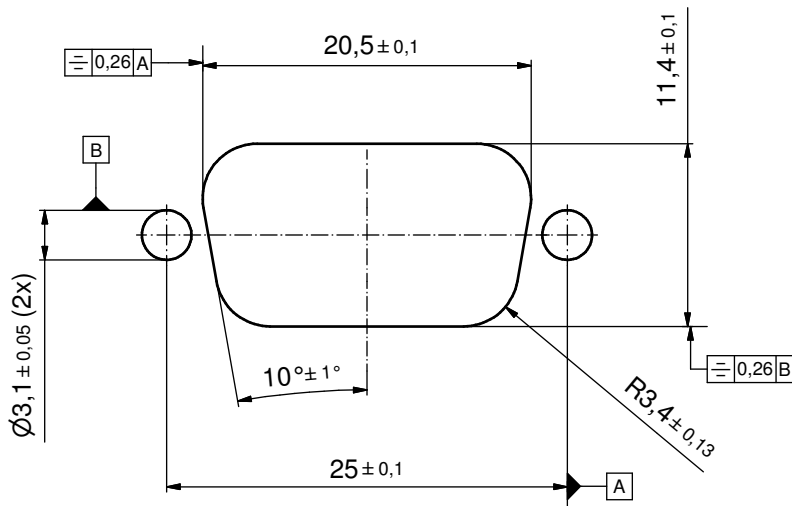
RoHS compliant

THIS DRAWING MAY NOT BE COPIED OR REPRODUCED IN ANY WAY, AND MAY NOT BE PASSED ON TO A THIRD PARTY WITHOUT WRITTEN PERMISSION. OWNERSHIP AND COPYRIGHT OF CONEC GmbH DO NOT ALTER CAD DRAWING BY HAND	tolerance		scale: 2:1 (5:1)	
			dim. in mm material: SEE NOTES	
	drawn	13.12.10	Henneboel	
	appd.	14.12.10	Fischer	
		norm	title:	
		d-old	(b) 18K1A353	
2 x b	A5896	30.11.2015	K.H.	D-SUB HD FEMALE
a	Original			15pos. SOLDER CUP
rev.	description	date	name	with threaded insert and hexlocking screw
				dwg no:
				15K1A768
				DIN-A3
				sh: 1/2
				part no: 6HDD15S□M99B30X (see note 4)

Solder Instruction

1. Cable should be prepared for soldering. The cable/wires must be pretinned.
2. Insert cable/wire into solder cup.
3. Operate the soldering iron at 350 °C, 50 Watt max. and use a pencil tip.
4. Apply some solder to the solder tip of the soldering iron.
5. Put tip to wire in solder cup.
6. After 1 second bring in solder.
7. Heat for 3 seconds longer. Do not heat contact more than 4 seconds in total.
8. Remove soldering iron.
9. Wait until solder gets rigid again.
10. Do not solder adjacent contacts consecutively, alternate position within the connector to minimize heat build up.

RECOMMENDED PANEL CUT-OUT



THIS DRAWING MAY NOT BE COPIED OR REPRODUCED IN ANY WAY, AND MAY NOT BE PASSED ON TO A THIRD PARTY WITHOUT WRITTEN PERMISSION. OWNERSHIP AND COPYRIGHT OF CONEC GmbH DO NOT ALTER CAD DRAWING BY HAND				tolerance		scale: 3:1	
				date	name	material: see sheet 1	
				drawn	13.12.10	Henneboel	
				appd.	14.12.10	Fischer	
				norm			
				d-old			
				title: PANEL CUT-OUT D-SUB HD FEMALE 15pos. with threaded insert and hexlocking screw			
a	Original		CONEC [®]			dwg no: 15K1A768	DIN-A3
rev.	description	date				name	part no: SEE SHEET1